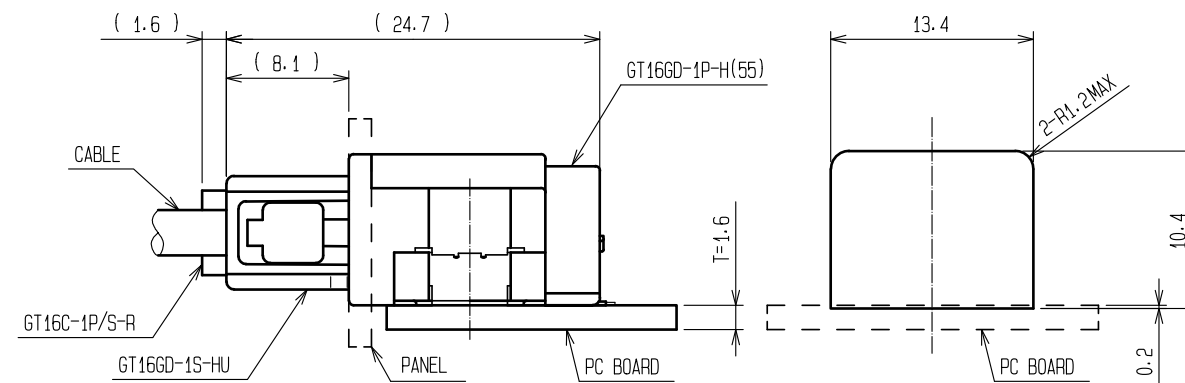
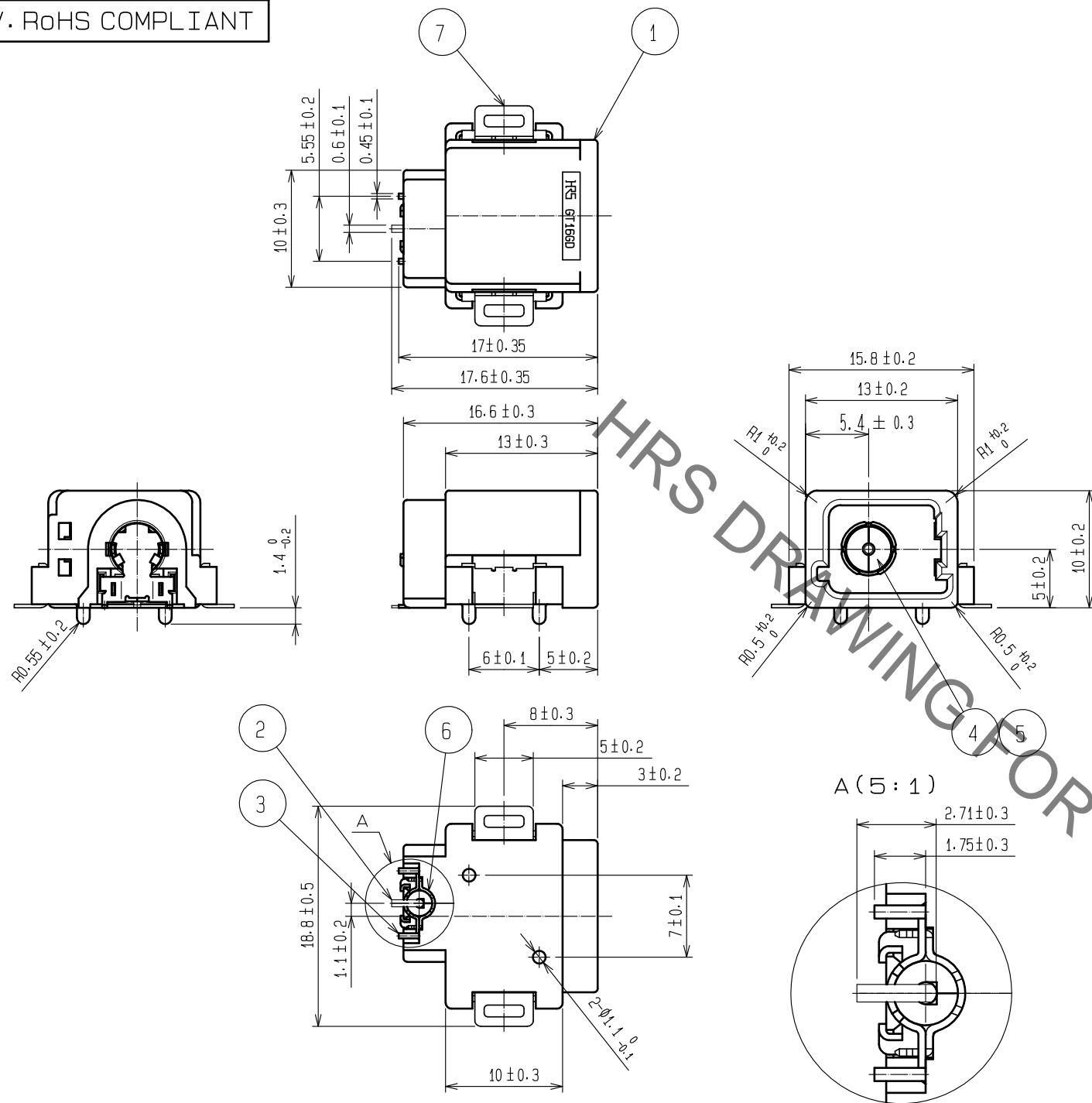
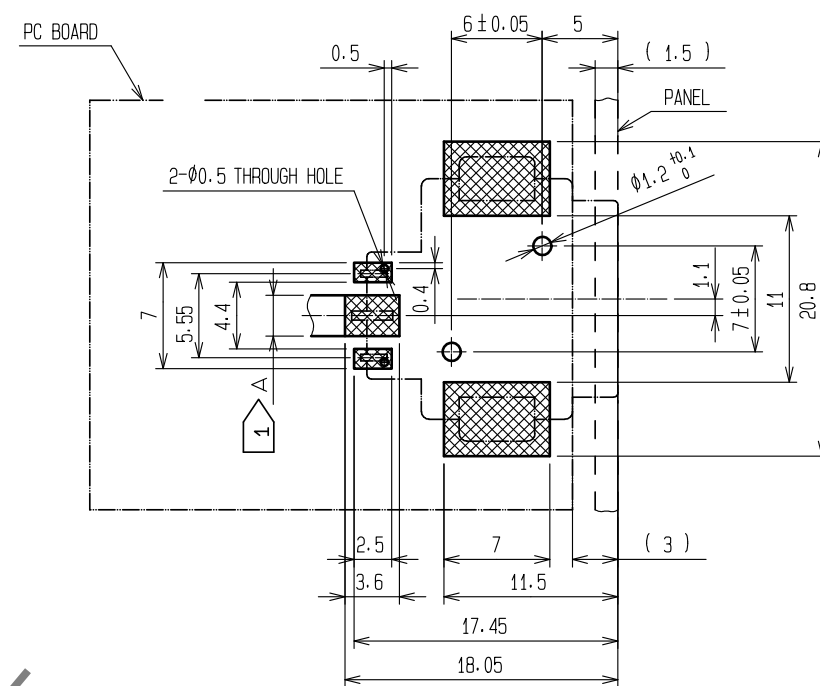


Aug.1.2022 Copyright 2022 HIROSE ELECTRIC CO., LTD. All Rights Reserved.
In case of consideration for using Automotive equipment / device which demand high reliability, kindly contact our sales window correspondents.

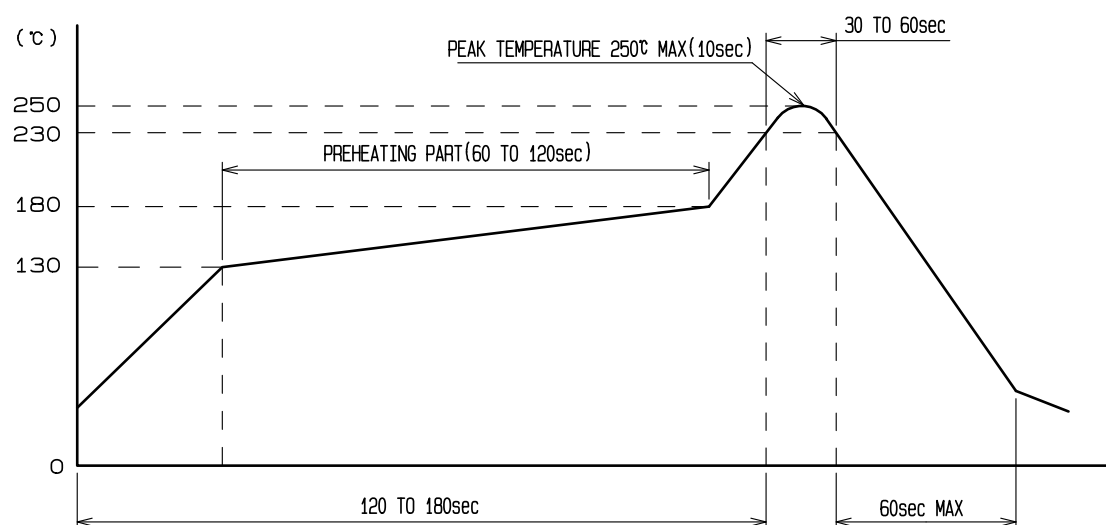
ELV. RoHS COMPLIANT



MATED CONNECTORS RECOMMENDED PANEL CUTOUT



RECOMMENDED PC BOARD PATTERN

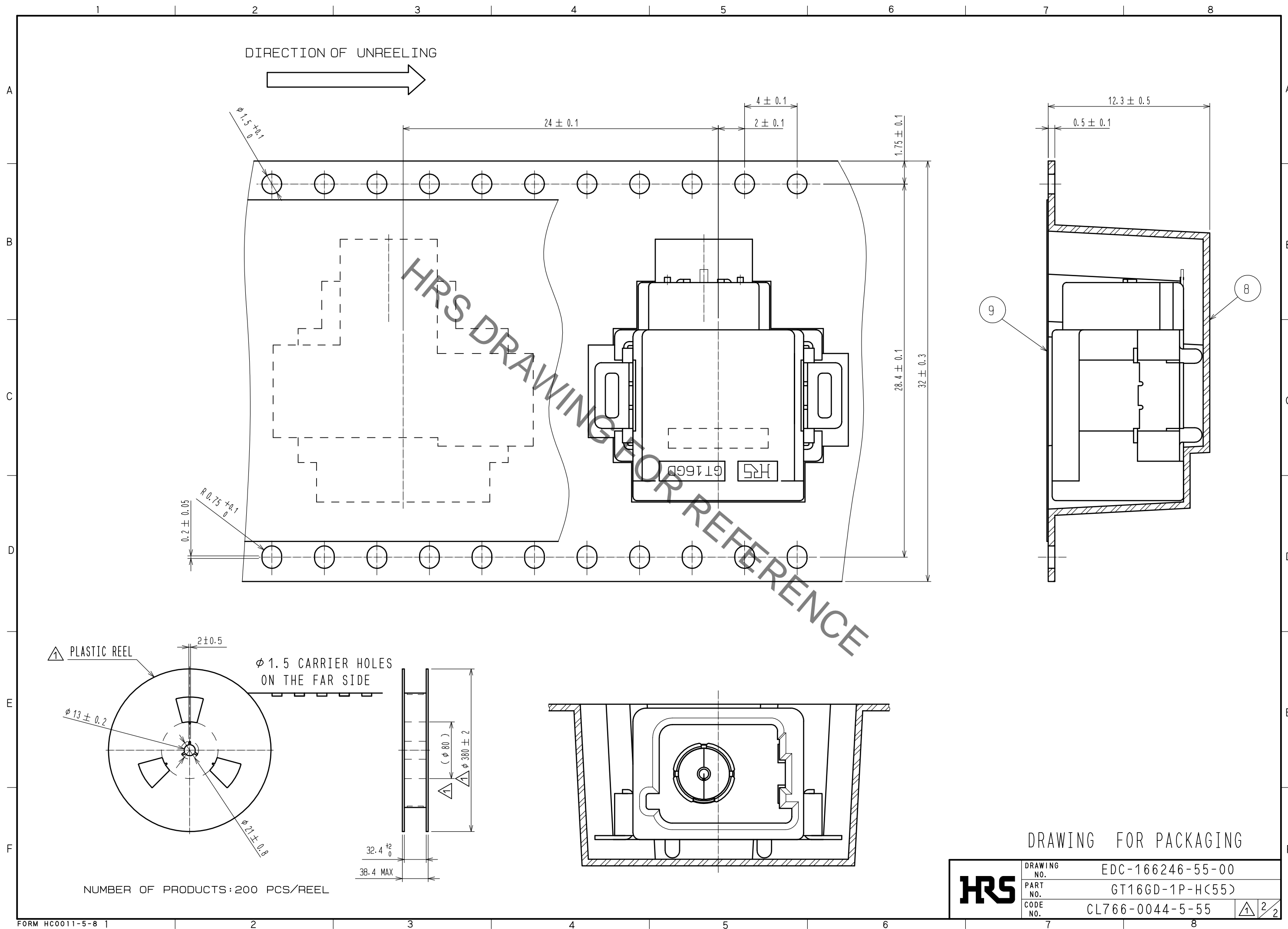


RECOMMENDED REFLOW TEMPERATURE PROFILE

- NOTE 1. A MUST BE TAKEN TO OBTAIN IMPEDANCE CHARACTERISTIC OF 50Ω.
2. THE RECOMMENDED REFLOW TEMPERATURE PROFILE IS AS FIGURE.
3. LEAD CO-PLANALITY INCLUDE REINFORCED FITTINGS SHALL BE 0.15mm MAX.

5	PPS	NATURAL			
4	PPS	NATURAL	9	PET	COVER TAPE
3	PHOSPHOR BRONZE	TIN PLATING	8	PS	EMBOSSED CARRIER TAPE
2	PHOSPHOR BRONZE	TIN PLATING	7	BRASS	TIN PLATING
1	PPS	BLACK	6	PHOSPHOR BRONZE	TIN PLATING
NO.	MATERIAL	FINISH . REMARKS	NO.	MATERIAL	FINISH . REMARKS
UNITS	mm	SCALE	2 : 1	COUNT	3
DESCRIPTION OF REVISIONS			DESIGNED	CHKD	DATE
DIS-T-00006887			HK. WATANABE	MO. OKADA	20201022
APPROVED : KI. HIROKAWA 20200511			DRAWING NO. EDC-166246-55-00		
CHECKED : MO. OKADA 20200511			PART NO. GT16GD-1P-H(55)		
DESIGNED : HK. WATANABE 20200430			CODE NO. CL766-0044-5-55		
DRAWN : YK. MITSUISHI 20200309			1/2		

Aug.1.2022 Copyright 2022 HIROSE ELECTRIC CO., LTD. All Rights Reserved.
 In case of consideration for using Automotive equipment / device which demand high reliability, kindly contact our sales window correspondents.



HRS	DRAWING NO.	EDC-166246-55-00	2/2
	PART NO.	GT16GD-1P-H(55)	
	CODE NO.	CL766-0044-5-55	