



STG3699B

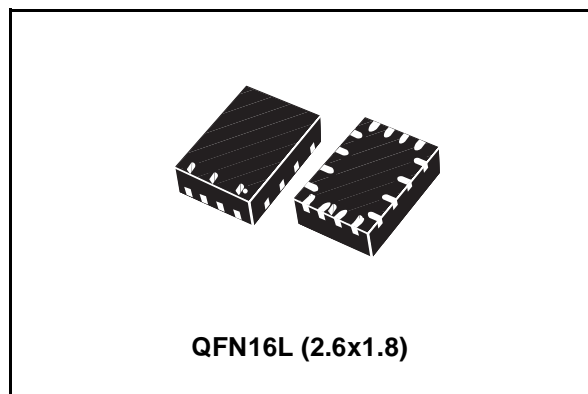
Low Voltage 0.5Ω Max, Quad SPDT Switch with break-before-make feature

Features

- High speed:
 - $t_{PD} = 1.5\text{ns}$ (TYP.) at $V_{CC} = 3.0\text{V}$
 - $t_{PD} = 1.5\text{ns}$ (TYP.) at $V_{CC} = 2.3\text{V}$
- Ultra low power dissipation:
 - $I_{CC} = 0.2\mu\text{A}$ (MAX.) at $T_A = 85^\circ\text{C}$
- Low "ON" Resistance $V_{IN}=0\text{V}$:
 - $R_{ON} = 0.50\Omega$ (MAX. $T_A = 25^\circ\text{C}$)at $V_{CC}=4.3\text{V}$
 - $R_{ON} = 0.55\Omega$ (MAX. $T_A = 25^\circ\text{C}$)at $V_{CC}=3.0\text{V}$
 - $R_{ON} = 0.55\Omega$ (MAX. $T_A = 25^\circ\text{C}$)at $V_{CC}=2.7\text{V}$
- Wide operanding voltage range:
 - V_{CC} (OPR) = 1.65V to 4.3V Single supply
- 4.3V Tolerant and 1.8V compatible thresholds on digital control input at $V_{CC} = 2.3$ to 3.0V
- Latch-up performance exceed 300mA (JESD 17)
- ESD performance (analog chan. Vs. GND):
HBM > 2kV (MIL STD 883 method 3015)

Description

The STG3699B is a high-speed CMOS low voltage quad analog SPDT (Single-Pole/Double Throw) switch or 2:1 multiplexer/demultiplexer switch fabricated in silicon gate C²MOS technology. It is designed to operate from 1.65V to 4.3V, making this device ideal for portable applications.



It offers very low ON-Resistance (R_{ON}) (<0.5Ω) at $V_{CC}=3.0\text{V}$. The nIN inputs are provided to control the switches. The switches nS1 are ON (they are connected to common Ports Dn) when the nIN input is held high and OFF (high impedance state exists between the two ports) when nIN is held low; the switches nS2 are ON (they are connected to common Ports Dn) when the nIN input is held low and OFF (high impedance state exists between the two ports) when IN is held high. Additional key features are fast switching speed, break-before-make delay time and ultra low power consumption. All inputs and outputs are equipped with protection circuits against static discharge, giving them ESD immunity and transient excess voltage. It is available in the commercial temperature range -40 to 125°C in QFN16 2.6x1.8mm package.

Order Codes

Part Number	Temperature Range	Package	Tape and Reel
STG3699B	-40 to 125°C	QFN16L (2.6x1.8)	STG3699BVTR

Contents

1	Summary Description	3
	1.1 Pin Connection	3
2	Maximum Rating	5
3	DC and AC Parameters	6
4	Typical Application	10
5	Test Circuit	11
6	Waveforms	12
7	Mechanical Data	15
8	Revision History	18

1 Summary Description

1.1 Pin Connection

Figure 1. Connections Diagram (top through view)

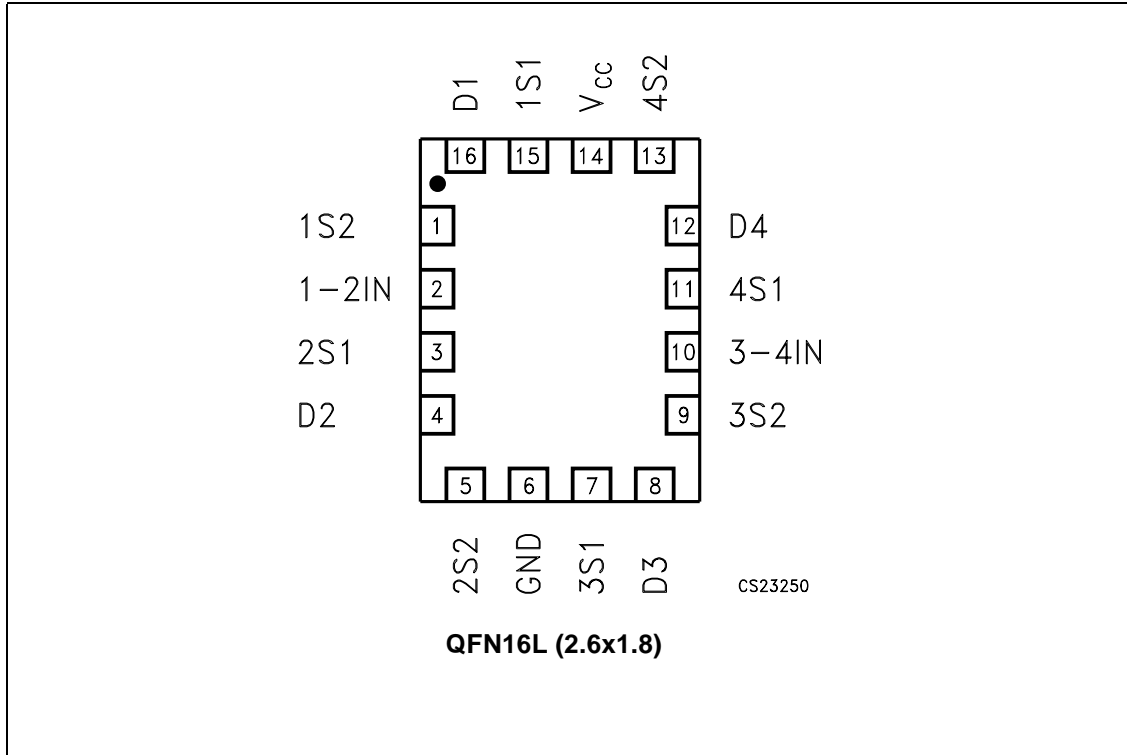


Table 1. Pin Description

Pin N° ⁽¹⁾	Symbol	Name and Function
15, 3, 7, 11, 1, 5, 9, 13	1S1 to 4S1, 1S2 to 4S2	Independent Channels
16, 4, 8, 12	D1 to D4	Common Channels
2, 10	1-2IN, 3-4IN	Controls
14	V _{CC}	Positive Supply Voltage
6	GND	Ground (0V)

1. Exposed pad must be soldered to a floating plane. Do NOT connect to power or ground.

Figure 2. Input Equivalent Circuit

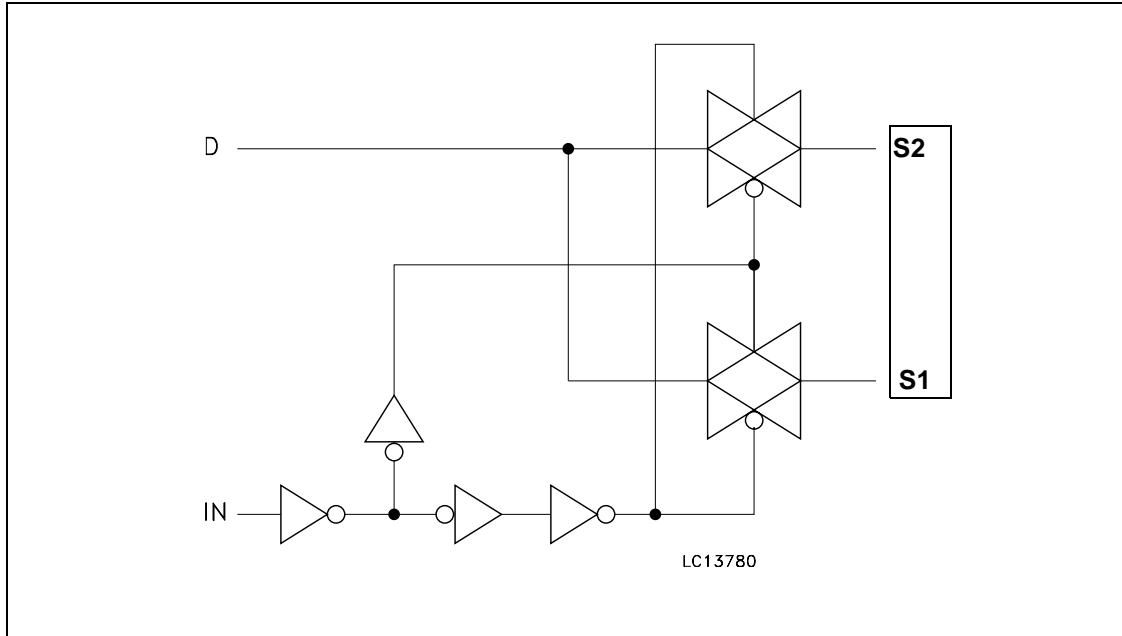


Table 2. Truth Table

1-2IN	3-4IN	ON Switches
L	-	1S2-D1, 2S2-D2
H	-	1S1-D1, 2S1-D2
-	L	3S2-D3, 4S2-D4
-	H	3S1-D3, 4S1-D4

2 Maximum Rating

Stressing the device above the rating listed in the “Absolute Maximum Ratings” table may cause permanent damage to the device. These are stress ratings only and operation of the device at these or any other conditions above those indicated in the Operating sections of this specification is not implied. Exposure to Absolute Maximum Rating conditions for extended periods may affect device reliability. Refer also to the STMicroelectronics SURE Program and other relevant quality documents.

Table 3. Absolute Maximum Ratings

Symbol	Parameter	Value	Unit
V_{CC}	Supply Voltage	-0.5 to 5.5	V
V_I	DC Input Voltage	-0.5 to $V_{CC} + 0.5$	V
V_{IC}	DC Control Input Voltage	-0.5 to 5.5	V
V_O	DC Output Voltage	-0.5 to $V_{CC} + 0.5$	V
I_{IKC}	DC Input Diode Current on control pin ($V_{IN} < 0V$)	- 50	mA
I_{IK}	DC Input Diode Current ($V_{IN} < 0V$)	± 50	mA
I_{OK}	DC Output Diode Current	± 20	mA
I_O	DC Output Current	± 300	mA
I_{OP}	DC Output Current Peak (pulse at 1ms, 10% duty cycle)	± 500	mA
I_{CC} or I_{GND}	DC V_{CC} or Ground Current	± 100	mA
P_D	Power Dissipation at $T_A = 70^\circ C$ ⁽¹⁾	1120	mW
T_{STG}	Storage Temperature	-65 to 150	$^\circ C$
T_L	Lead Temperature (10 sec)	300	$^\circ C$

1. Derate above 70°C: by 18.5mW/°C.

Note: Absolute maximum ratings are those values above which damage to the device may occur. Functional operation under these conditions is not implied. All voltages are referenced to GND.

Table 4. Recommended Operating Conditions

Symbol	Parameter	Value	Unit
V_{CC}	Supply Voltage (Truth Table guaranteed: 1.2 to 4.3V)	1.65 to 4.3	V
V_I	Input Voltage	0 to V_{CC}	V
V_{IC}	Control Input Voltage	0 to 4.3	V
V_O	Output Voltage	0 to V_{CC}	V
T_{OP}	Operating Temperature	-55 to 125	$^\circ C$
dt/dv	Input rise and Fall Time Control Input	$V_{CC}=1.65V$ to 2.7V	0 to 20
		$V_{CC}=3.0$ to 4.3V	0 to 10

3 DC and AC Parameters

Table 5. DC Specification

Symbol	Parameter	Test Conditions		Value						Unit	
		V _{CC} (V)		T _A = 25°C			-40 to 85°C		-55 to 125°C		
				Min.	Typ.	Max.	Min.	Max.	Min.		Max.
V _{IH}	High Level Input Voltage	1.65-1.95		0.65			0.65		0.65		V
		2.3-2.5		1.2			1.2		1.2		
		2.7-3.0		1.3			1.3		1.3		
		3.3		1.4			1.4		1.4		
		3.6		1.5			1.5		1.5		
		4.3		1.6			1.6		1.6		
V _{IL}	Low Level Input Voltage	1.65-1.95				0.25		0.25		0.25	V
		2.3-2.5				0.25		0.25		0.25	
		2.7-3.0				0.25		0.25		0.25	
		3.3				0.30		0.30		0.30	
		3.6				0.30		0.30		0.30	
		4.3				0.40		0.40		0.40	
R _{ON}	Switch ON Resistance	4.3	V _S =0V to V _{CC} I _S =100mA		0.35	0.50		0.60			Ω
		3.0			0.45	0.55		0.65			
		2.7			0.45	0.55		0.65			
		2.3			0.45	0.70		0.80			
		1.8			0.55	1.5		2.0			
		1.65			0.65	1.5		2.0			
ΔR _{ON}	ON Resistance Match between channels (1)	2.7	V _S @ R _{ON} Max I _S =100mA		0.15					Ω	
R _{FLAT}	ON Resistance FLATNESS (2)	4.3	V _S =0V to V _{CC} I _S =100mA		0.15	0.20		0.20			Ω
		3.0			0.20	0.25		0.25			
		2.7			0.20	0.25		0.25			
		2.3			0.20	0.25		0.25			
		1.65			0.32	0.42		0.42			

Table 5. DC Specification

Symbol	Parameter	Test Conditions		Value						Unit	
		V _{CC} (V)		T _A = 25°C			-40 to 85°C		-55 to 125°C		
				Min.	Typ.	Max.	Min.	Max.	Min.		Max.
I _{OFF}	OFF State Leakage Current (nSn), (Dn)	4.3	V _S =0.3 or 4V			±20		±100			nA
I _{IN}	Input Leakage Current	0 - 4.3	V _{IN} = 0 to 4.3V			±0.1		±1			μA
I _{CC}	Quiescent Supply Current	1.65-4.3	V _{IN} =V _{CC} or GND			±0.05		±0.2		±1	μA
I _{CCLV}	Quiescent Supply Current Low Voltage Driving	4.3	V _{1-2IN} , V _{3-4IN} = 1.65V		±37	±50		±100			μA
			V _{1-2IN} , V _{3-4IN} = 1.80V		±33	±40		±50			
			V _{1-2IN} , V _{3-4IN} = 2.60V		±12	±20		±30			

Note: 1 $\Delta R_{ON} = R_{ON(Max)} - R_{ON(Min)}$

- 2 Flatness is defined as the difference between the maximum and minimum value of on-resistance as measured over the specified analog signal ranges.

Table 6. AC Electrical Characteristics ($C_L = 35\text{pF}$, $R_L = 50\Omega$, $t_r = t_f \leq 5\text{ns}$)

Symbol	Parameter	Test Condition		Value						Unit	
		V _{CC} (V)		T _A = 25°C			-40 to 85°C		-55 to 125°C		
				Min.	Typ.	Max.	Min.	Max.	Min.		Max.
t _{PLH} , t _{PHL}	Propagation Delay	1.65-1.95	V _I =OPEN		0.45						ns
		2.3-2.7			0.40						
		3.0-3.3			0.30						
		3.6-4.3			0.30						
t _{ON}	TURN-ON time	1.65-1.95	V _S =0.8V		120						ns
		2.3-2.7	V _S =1.5V		45	55		65			
		3.0-3.3			42	55		65			
		3.6-4.3			40	55		65			
t _{OFF}	TURN-OFF time	1.65-1.95	V _S =0.8V		22						ns
		2.3-2.7	V _S =1.5V		18	30		40			
		3.0-3.3			16	30		40			
		3.6-4.3			15	30		40			
t _D	Break Before Make Time Delay	1.65-1.95	C _L =35pF R _L = 50Ω V _S =1.5V		53						ns
		2.3-2.7			28						
		3.0-3.3			12						
		3.6-4.3			8						
Q	Charge injection	1.65-1.95	C _L =100pF R _L = 1MΩ V _{GEN} = 0V R _{GEN} = 0Ω		42						pC
		2.3-2.7			48						
		3.0-3.3			48						
		3.6-4.3			57						

Table 7. Analog Switch Characteristics $C_L = 5pF$, $R_L = 50\Omega$, $T_A = 25^\circ C$

Symbol	Parameter	Test Condition		Value						Unit		
		V _{CC} (V)		T _A = 25°C			-40 to 85°C		-55 to 125°C			
				Min.	Typ.	Max.	Min.	Max.	Min.		Max.	
OIRR	Off Isolation <i>Note: 1</i>	1.65-4.3	V _S = 1V _{RMS} f = 100KHz		-64							dB
Xtalk	Crosstalk	1.65-4.3	V _S = 1V _{RMS} f = 100KHz		-50							dB
THD	Total Harmonic Distortion	2.3-4.3	R _L = 600Ω V _{IN} = 2V _{PP} f = 20Hz to 20kHz		0.03							%
BW	-3dB Bandwidth	1.65-4.3	R _L = 50Ω		40							MHz
C _{IN}	Control Pin Input Capacitance				5							pF
C _{Sn}	Sn Port Capacitance	3.3	f = 1MHz		80							
C _D	D Port Capacitance when Switch is Enabled	3.3	f = 1MHz		170							

Note: 1 Off-isolation = $20 \log_{10} (V_D/V_S)$, V_D = output, V_S = input to off switch

4 Typical Application

Figure 3. On Resistance

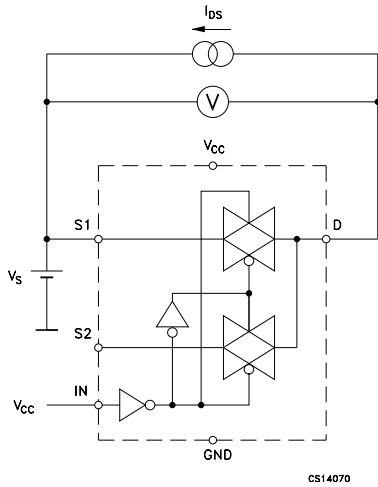


Figure 4. Bandwidth

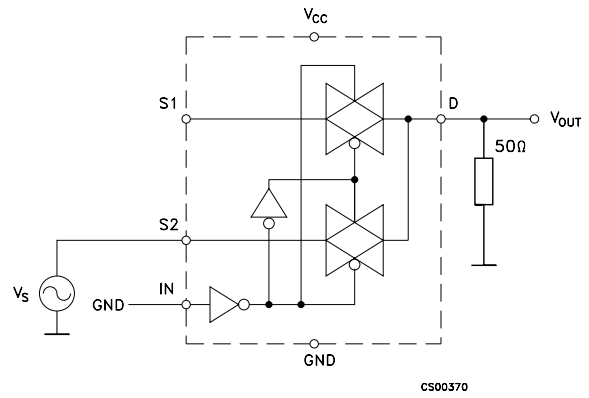


Figure 5. Off Leakage

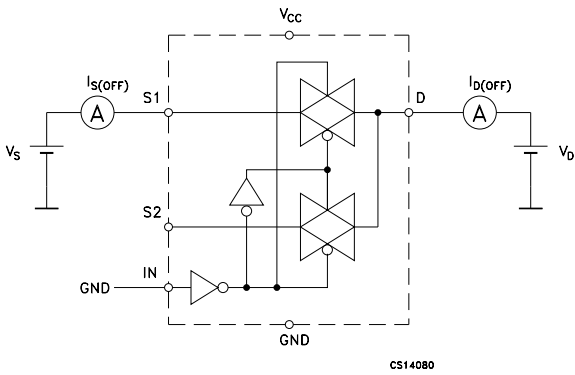


Figure 6. Channel To Channel Crosstalk

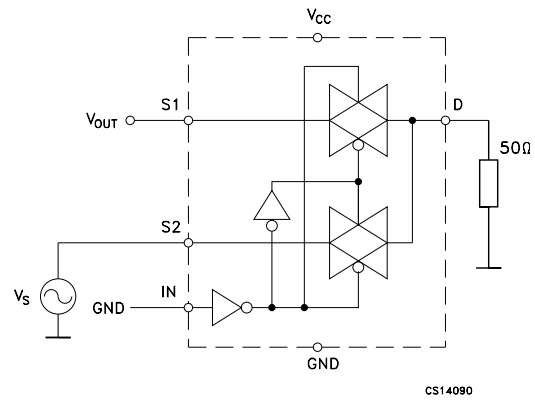
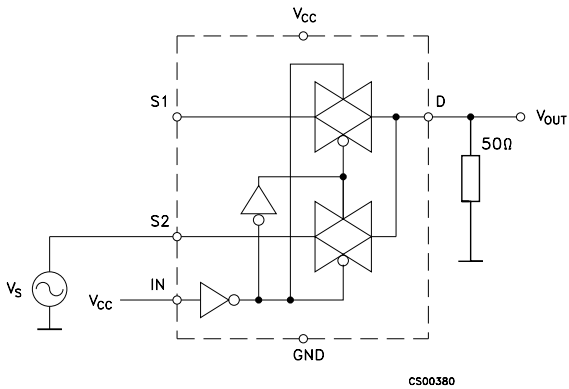
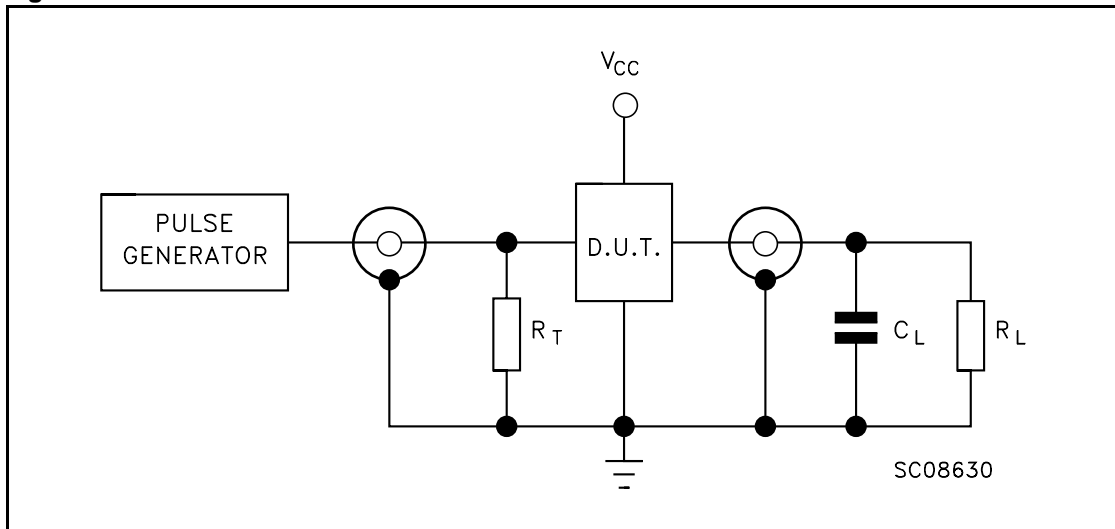


Figure 7. Off Isolation



5 Test Circuit

Figure 8. Test Circuit



$C_L = 5/35\text{pF}$ or equivalent (includes jig and probe capacitance)

$R_L = 50\Omega$ or equivalent

$R_T = Z_{OUT}$ of pulse generator (typically 50Ω)

6 Waveforms

Figure 9. Break-Before-Make time delay

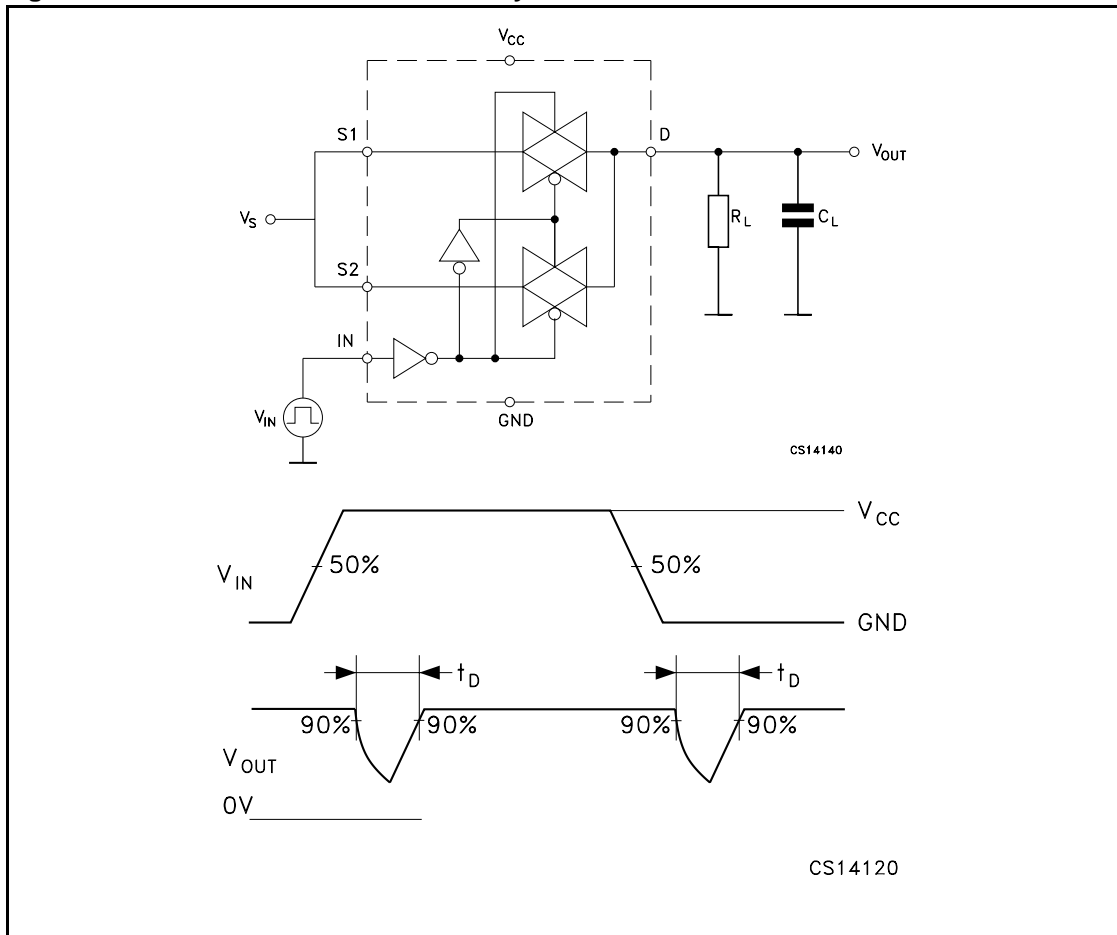


Figure 10. Switching time and charge injection ($V_{GEN}=0V$, $R_{GEN}=0\Omega$, $R_L=1M\Omega$, $C_L=100pF$)

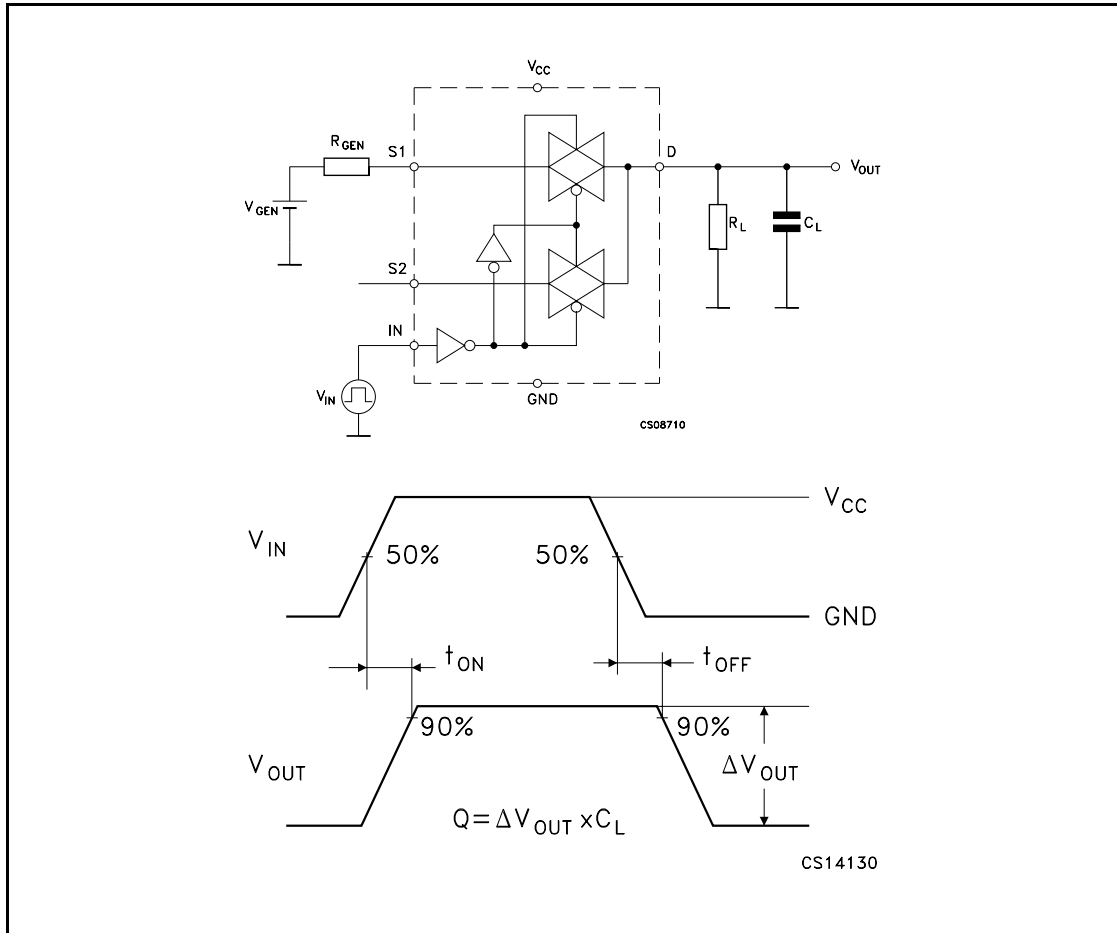
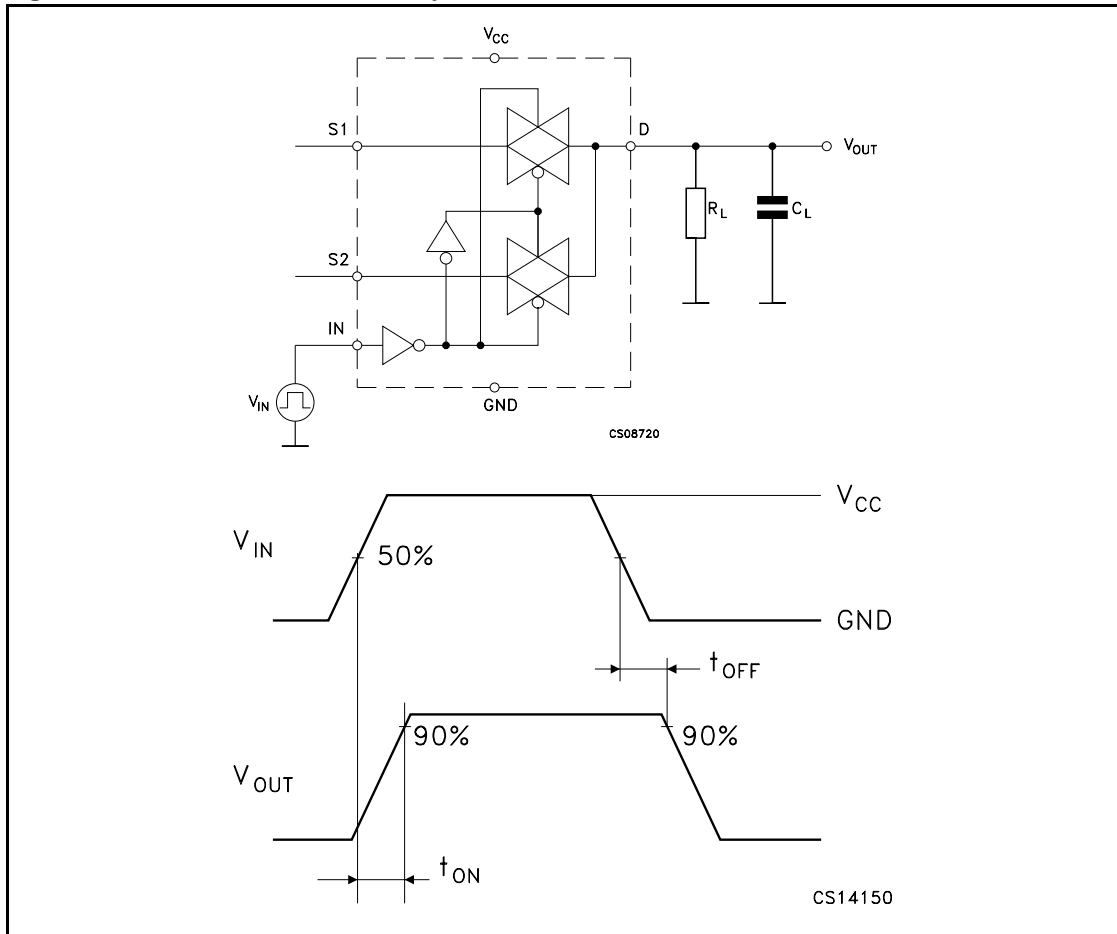


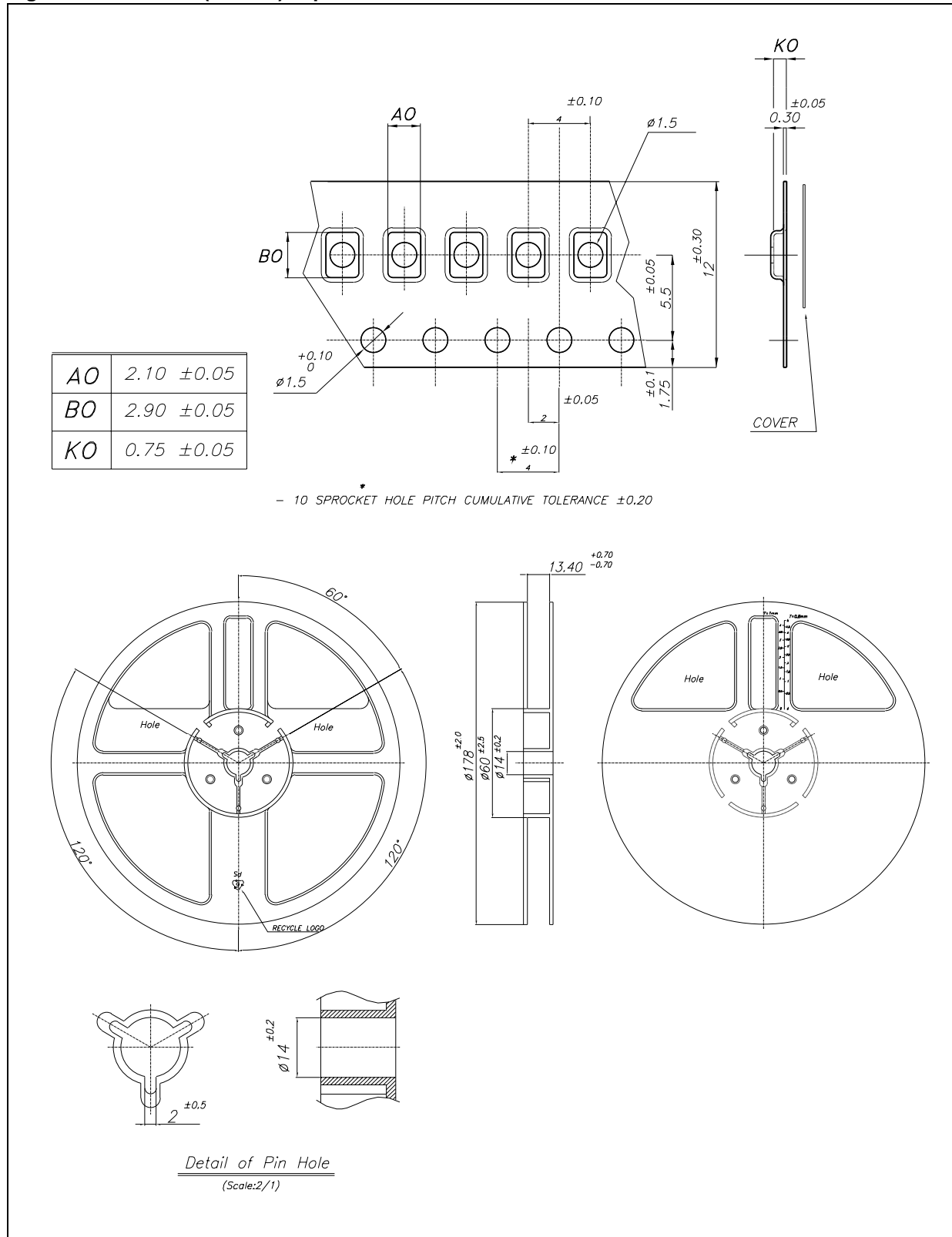
Figure 11. Turn On, Turn Off Delay Time



7 Mechanical Data

In order to meet environmental requirements, ST offers these devices in ECOPACK[®] packages. These packages have a Lead-free second level interconnect. The category of second Level Interconnect is marked on the package and on the inner box label, in compliance with JEDEC Standard JESD97. The maximum ratings related to soldering conditions are also marked on the inner box label. ECOPACK is an ST trademark. ECOPACK specifications are available at: www.st.com.

Figure 13. QFN16L (2.6x1.8) Tape & Reel



8 Revision History

Date	Revision	Description of Change
13-Oct-2005	1	First Release
21-Dec-2005	2	Added tape & reel information
17-Feb-2006	3	R _{FLAT} updated it Table 5: DC Specification on page 6

Please Read Carefully:

Information in this document is provided solely in connection with ST products. STMicroelectronics NV and its subsidiaries ("ST") reserve the right to make changes, corrections, modifications or improvements, to this document, and the products and services described herein at any time, without notice.

All ST products are sold pursuant to ST's terms and conditions of sale.

Purchasers are solely responsible for the choice, selection and use of the ST products and services described herein, and ST assumes no liability whatsoever relating to the choice, selection or use of the ST products and services described herein.

No license, express or implied, by estoppel or otherwise, to any intellectual property rights is granted under this document. If any part of this document refers to any third party products or services it shall not be deemed a license grant by ST for the use of such third party products or services, or any intellectual property contained therein or considered as a warranty covering the use in any manner whatsoever of such third party products or services or any intellectual property contained therein.

UNLESS OTHERWISE SET FORTH IN ST'S TERMS AND CONDITIONS OF SALE ST DISCLAIMS ANY EXPRESS OR IMPLIED WARRANTY WITH RESPECT TO THE USE AND/OR SALE OF ST PRODUCTS INCLUDING WITHOUT LIMITATION IMPLIED WARRANTIES OF MERCHANTABILITY, FITNESS FOR A PARTICULAR PURPOSE (AND THEIR EQUIVALENTS UNDER THE LAWS OF ANY JURISDICTION), OR INFRINGEMENT OF ANY PATENT, COPYRIGHT OR OTHER INTELLECTUAL PROPERTY RIGHT.

UNLESS EXPRESSLY APPROVED IN WRITING BY AN AUTHORIZE REPRESENTATIVE OF ST, ST PRODUCTS ARE NOT DESIGNED, AUTHORIZED OR WARRANTED FOR USE IN MILITARY, AIR CRAFT, SPACE, LIFE SAVING, OR LIFE SUSTAINING APPLICATIONS, NOR IN PRODUCTS OR SYSTEMS, WHERE FAILURE OR MALFUNCTION MAY RESULT IN PERSONAL INJURY, DEATH, OR SEVERE PROPERTY OR ENVIRONMENTAL DAMAGE.

Resale of ST products with provisions different from the statements and/or technical features set forth in this document shall immediately void any warranty granted by ST for the ST product or service described herein and shall not create or extend in any manner whatsoever, any liability of ST.

ST and the ST logo are trademarks or registered trademarks of ST in various countries.

Information in this document supersedes and replaces all information previously supplied.

The ST logo is a registered trademark of STMicroelectronics. All other names are the property of their respective owners.

© 2006 STMicroelectronics - All rights reserved

STMicroelectronics group of companies

Australia - Belgium - Brazil - Canada - China - Czech Republic - Finland - France - Germany - Hong Kong - India - Israel - Italy - Japan - Malaysia - Malta - Morocco - Singapore - Spain - Sweden - Switzerland - United Kingdom - United States of America

www.st.com