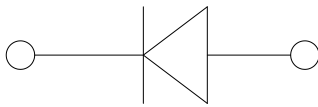


Zener Diodes



Features

- High reliability
- Very sharp reverse characteristic
- Low reverse current level
- Zener Voltage 4.3V~47V
- V_Z -tolerance $\pm 2\%$



Mechanical Data

- **Package:** SOD123G
- **Terminals:** Tin plated leads, solderable per J-STD-002 and JESD22-B102
- **Polarity:** Cathode line denotes the cathode end

■ Maximum Ratings (Ta=25°C Unless otherwise specified)

PARAMETER	SYMBOL	UNIT	VALUE
Power Dissipation at Ta=75°C	P_D	mW	500
Storage Temperature Range	T_{stg}	°C	-55~+150
Maximum Junction Temperature	T_J	°C	-55~+150
Maximum Forward Voltage@ $I_F=10mA$	V_F	V	0.9
Maximum Regulator Current	I_{ZM}	mA	P_D / V_Z
Thermal Resistance Junction to Ambient Air*	$R_{\theta JA}$	°C/W	250
Maximum Forward Voltage@ $I_F=10mA$	V_F	V	0.9

*Device mounted on ceramic PCB: 7.6mm×9.4mm×0.87mm with pad areas 25mm²

■ Ordering Information (Example)

PREFERRED P/N	PACKING CODE	UNIT WEIGHT(g)	MINIMUM PACKAGE(pcs)	INNER BOX QUANTITY(pcs)	OUTER CARTON QUANTITY(pcs)	DELIVERY MODE
MMSZ5229C THRU MMSZ5261C	F2	Approximate 0.009	3000	30000	120000	7" reel



MMSZ5229C THRU MMSZ5261C

■Electrical Characteristics (T_a=25°C Unless otherwise specified)

TypeNumber	Device Marking	V _z (V) ^{*1}			Z _{zt} (Ω) ^{*2}		Z _{zk} (Ω) ^{*2}		I _R (μA)@V _R	
		min.	typ.	max.	I _z (mA)	max.	I _{zk} (mA)	max.	uA	V _R (V)
MMSZ5229C	2G4/2D4	4.21	4.3	4.39	5	95	1.0	600	5	1.0
MMSZ5230C	2G5/2D5	4.61	4.7	4.79	5	78	1.0	500	5	2.0
MMSZ5231C	2E1	5.0	5.1	5.2	5	60	1.0	480	0.1	0.8
MMSZ5232C	2E2	5.49	5.6	5.71	5	40	1.0	400	0.1	1.0
MMSZ5234C	2E4	6.08	6.2	6.32	5	10	1.0	150	0.1	2.0
MMSZ5235C	2E5	6.66	6.8	6.94	5	8	1.0	80	0.1	3.0
MMSZ5236C	2F1	7.35	7.5	7.65	5	7	1.0	80	0.1	5.0
MMSZ5237C	2F2	8.04	8.2	8.36	5	7	1.0	80	0.1	6.0
MMSZ5239C	2F4	8.92	9.1	9.28	5	10	1.0	100	0.1	7.0
MMSZ5240C	2F5	9.8	10	10.2	5	15	1.0	150	0.1	7.5
MMSZ5241C	2H1	10.78	11	11.22	5	20	1.0	150	0.1	8.5
MMSZ5242C	2H2	11.76	12	12.24	5	20	1.0	150	0.1	9.0
MMSZ5243C	2H3	12.74	13	13.3	5	25	1.0	170	0.1	10.0
MMSZ5245C	2H5	14.7	15	15.3	5	30	1.0	200	0.1	11.0
MMSZ5246C	2J1	15.68	16	16.3	5	40	1.0	200	0.1	12
MMSZ5248C	2J3	17.6	18	18.4	5	50	1.0	225	0.1	14.0
MMSZ5250C	2J5	19.6	20	20.4	5	55	1.0	225	0.1	15.0
MMSZ5251C	2K1	21.56	22	22.44	5	55	1.0	250	0.1	17.0
MMSZ5252C	2K2	23.52	24	24.5	5	70	1.0	250	0.1	18.0
MMSZ5254C	2K4	26.46	27	27.54	5	80	1.0	300	0.1	20.0
MMSZ5256C	2M1	29.4	30	30.6	5	80	1.0	300	0.1	22.5
MMSZ5257C	2M2	32.34	33	33.7	5	80	1.0	325	0.1	25.0
MMSZ5258C	2M3	35.28	36	36.72	5	90	1.0	350	0.1	27.0
MMSZ5259C	2M4	38.22	39	39.8	5	90	1.0	350	0.1	29.0
MMSZ5260C	2M5	42.14	43	43.86	5	100	1	375	0.1	32.0
MMSZ5261C	2N1	46.06	47	47.94	5	110	1	375	0.1	35.0

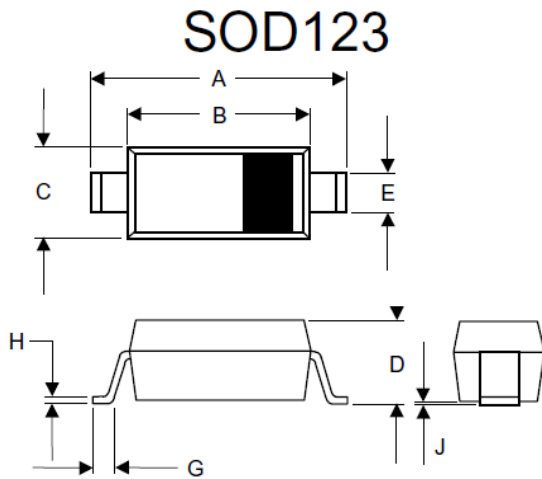
*1 Device mounted on ceramic PCB: 7.6mm×9.4mm×0.87mm with pad areas 25mm²

*2 f=1KHZ



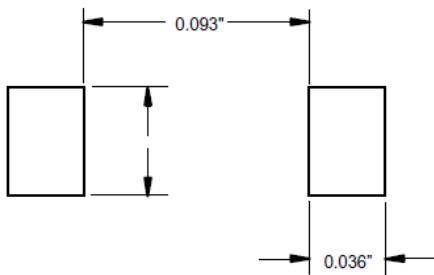
MMSZ5229C THRU MMSZ5261C

■ Outline Dimensions



DIMENSIONS					
DIM	INCHES		MM		NOTE
	MIN	MAX	MIN	MAX	
A	.140	.152	3.55	3.85	
B	.100	.112	2.55	2.85	
C	.055	.071	1.40	1.80	
D	-----	.053	-----	1.35	
E	.012	.031	0.30	.78	
G	.006	-----	0.15	-----	
H	-----	.01	-----	.25	
J	-----	.006	-----	.15	

■ Soldering Footprint



Unit:inches



MMSZ5229C THRU MMSZ5261C

Disclaimer

The information presented in this document is for reference only. Yangzhou Yangjie Electronic Technology Co., Ltd. reserves the right to make changes without notice for the specification of the products displayed herein to improve reliability, function or design or otherwise.

The product listed herein is designed to be used with ordinary electronic equipment or devices, and not designed to be used with equipment or devices which require high level of reliability and the malfunction of which would directly endanger human life (such as medical instruments, transportation equipment, aerospace machinery, nuclear-reactor controllers, fuel controllers and other safety devices), Yangjie or anyone on its behalf, assumes no responsibility or liability for any damages resulting from such improper use of sale.

This publication supersedes & replaces all information previously supplied. For additional information, please visit our website [http:// www.21yangjie.com](http://www.21yangjie.com) , or consult your nearest Yangjie's sales office for further assistance.