

**HIGH SPEED DIGITAL OUTPUT TYPE
5-PIN SOP PHOTOCOUPLER**

-NEPOC™ Series-

DESCRIPTION

The PS9701 is an optically coupled isolator containing a GaAlAs LED on light emitting side (input side) and a photodiode and a signal processing circuit on light receiving side (output side) on one chip.

This is SOP (Small Outline Package) type for high-density applications.

FEATURES

- High isolation voltage ($BV = 2\ 500\ \text{Vr.m.s.}$)
- Small and thin package (5-pin SOP)
- ★ • High-speed response ($t_{\text{PHL}} = 36\ \text{ns TYP.}$, $t_{\text{PLH}} = 60\ \text{ns TYP.}$)
- Low threshold input current ($I_{\text{FHL}} = 2.5\ \text{mA TYP.}$)
- ★ • Open-collector type
- Ordering number of taping product: PS9701-1-E3, E4, F3, F4
- UL approved: File No. E72422 (S)
- VDE0884 approved (Option)

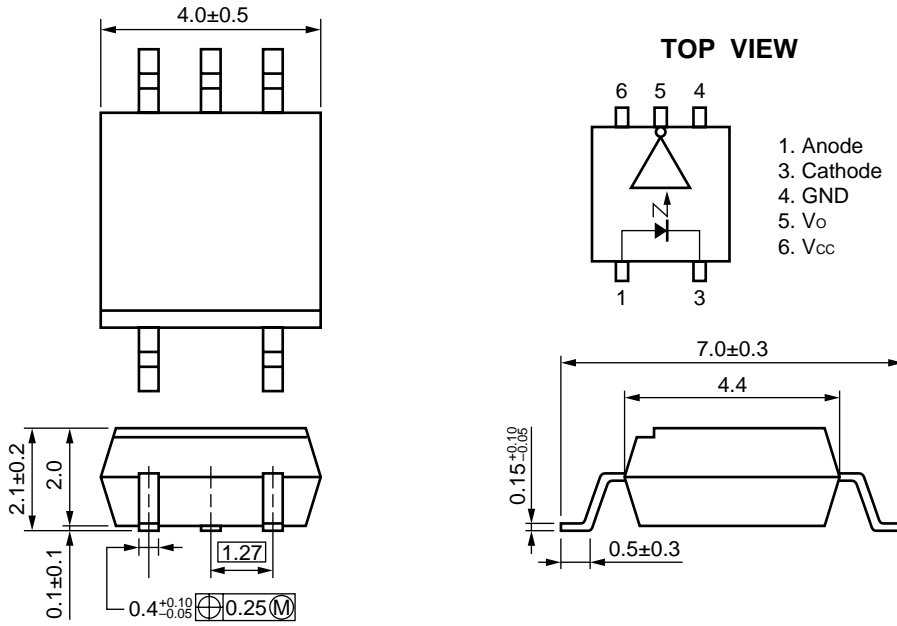
APPLICATIONS

- Computer and peripheral manufactures
- Measurement equipment
- Audio-Visual

The information in this document is subject to change without notice. Before using this document, please confirm that this is the latest version.
Not all devices/types available in every country. Please check with local NEC representative for availability and additional information.

★

PACKAGE DIMENSIONS
in millimeters



★ ORDERING INFORMATION

Part Number	Package	Packing Style	Safety Standards Approval	Application Part Number ^{*1}
PS9701	5-pin SOP	Magazine case 100 pcs	UL approved	PS9701
PS9701-E3		Embossed Tape 900 pcs/reel		
PS9701-E4				
PS9701-F3		Embossed Tape 3 500 pcs/reel		
PS9701-F4				
PS9701-V		Magazine case 100 pcs	VDE0884 approved	
PS9701-V-E3		Embossed Tape 900 pcs/reel		
PS9701-V-E4				
PS9701-V-F3		Embossed Tape 3 500 pcs/reel		
PS9701-V-F4				

*1 For the application of the Safety Standard, following part number should be used.

ABSOLUTE MAXIMUM RATINGS (T_A = 25 °C, unless otherwise specified)

Parameter		Symbol	Ratings	Unit
Diode	Forward Current	I _F	30	mA
	Reverse Voltage	V _R	5	V
Detector	Supply Voltage	V _{CC}	7	V
	Output Voltage	V _O	7	V
	Output Current	I _O	50	mA
	Power Dissipation	P _C	85	mW
Isolation Voltage ^{*1}		BV	2 500	Vr.m.s.
Operating Ambient Temperature		T _A	-40 to +85	°C
Storage Temperature		T _{stg}	-55 to +125	°C

*1 AC voltage for 1 minute at T_A = 25 °C, RH = 60 % between input and output

RECOMMENDED OPERATING CONDITIONS

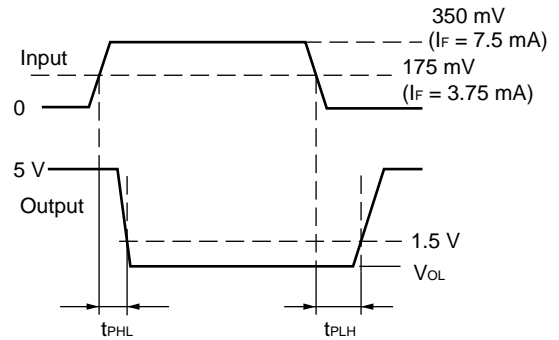
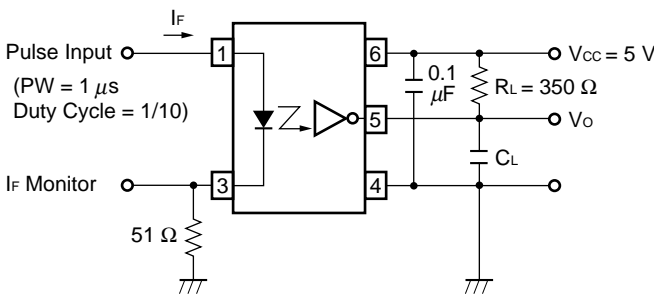
Parameter	Symbol	MIN.	TYP.	MAX.	Unit
Low Level Input Current	I _{FL}	0		250	μA
High Level Input Current	I _{FH}	5	7.5	15	mA
Supply Voltage	V _{CC}	4.5	5.0	5.5	V
Operating Ambient Temperature	T _A	0	25	70	°C

Remark By-pass capacitor of more than 0.1 μF is used between V_{CC} and GND near the device.

ELECTRICAL CHARACTERISTICS (T_A = 0 to +70 °C, unless otherwise specified)

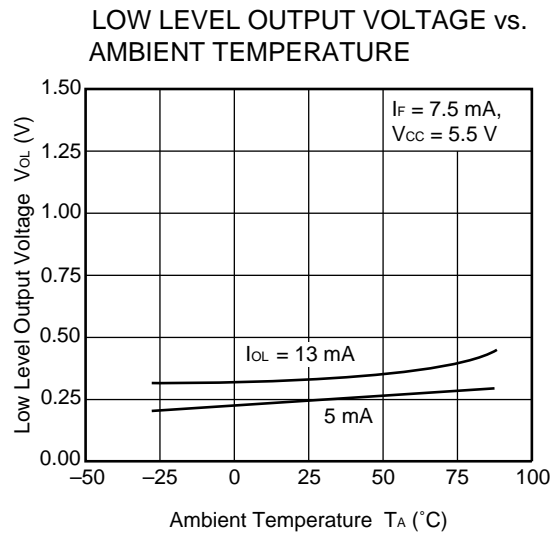
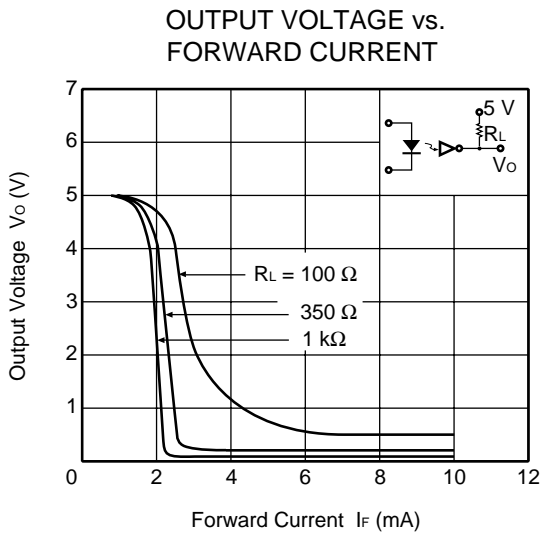
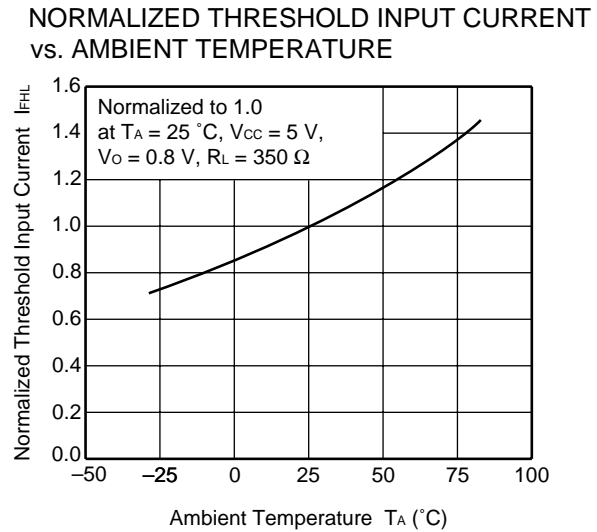
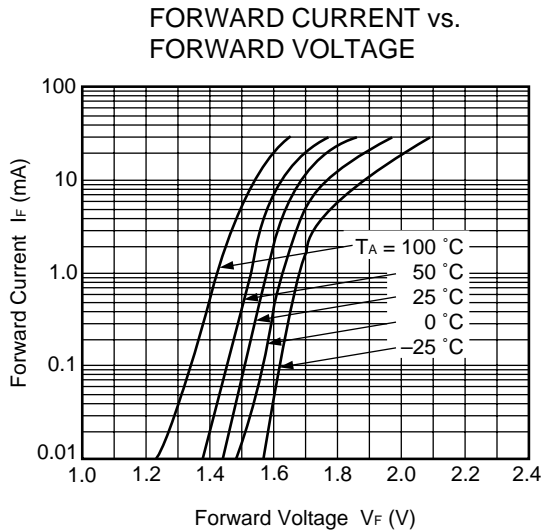
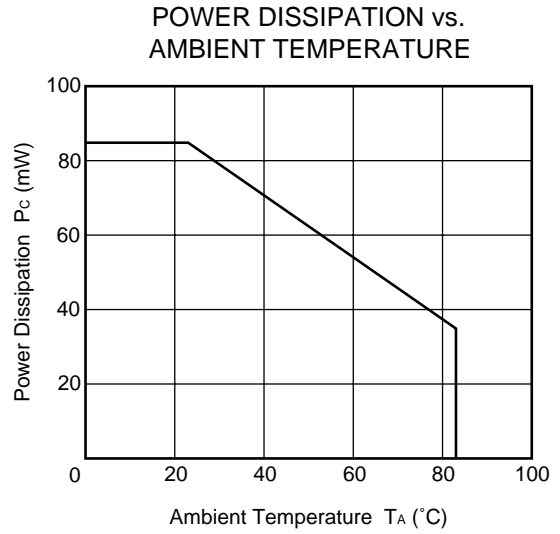
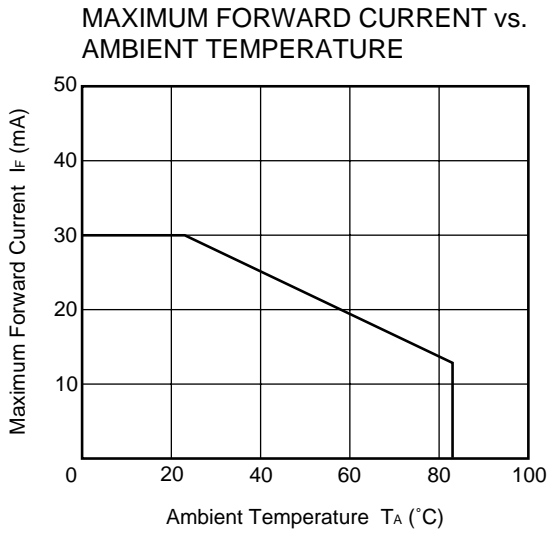
Parameter		Symbol	Conditions	MIN.	TYP.	MAX.	Unit
Diode	Forward Voltage	V _F	I _F = 10 mA, T _A = 25 °C	1.4	1.65	1.9	V
	Reverse Current	I _R	V _R = 5 V, T _A = 25 °C			10	μA
	Terminal Capacitance	C _t	V = 0 V, f = 1 MHz, T _A = 25 °C		60		pF
Detector	High Level Output Current	I _{OH}	V _{CC} = V _O = 5.5 V, I _F = 250 μA		2	250	μA
	Low Level Output Voltage	V _{OL}	V _{CC} = 5.5 V, I _F = 7.5 mA, I _O = 13 mA		0.3	0.6	V
	High Level Supply Current	I _{CCH}	V _{CC} = 5.5 V, I _F = 0 mA	4	6	8	mA
	Low Level Supply Current	I _{CCL}	V _{CC} = 5.5 V, I _F = 10 mA	9	12	15	mA
Coupled	Threshold Input Current (H → L)	I _{FHL}	T _A = 25 °C	0.5	2.5	5.0	mA
			V _{CC} = 5 V, V _O = 0.8 V, R _L = 350 Ω			7	
	Isolation Resistance	R _{I-O}	V _{I-O} = 1 kV _{DC} , RH = 40 to 60 %, T _A = 25 °C	10 ¹¹			Ω
	Isolation Capacitance	C _{I-O}	V = 0 V, f = 1 MHz, T _A = 25 °C		0.6		pF
	Propagation Delay Time (H → L) ^{*1}	t _{PHL}	V _{CC} = 5 V, I _F = 7.5 mA, R _L = 350 Ω, C _L = 15 pF, T _A = 25 °C		36	75	ns
	Propagation Delay Time (L → H) ^{*1}	t _{PLH}			60	75	
	Rise Time	t _r				20	
Fall Time	t _f				10		

*1 Test circuit for propagation delay time

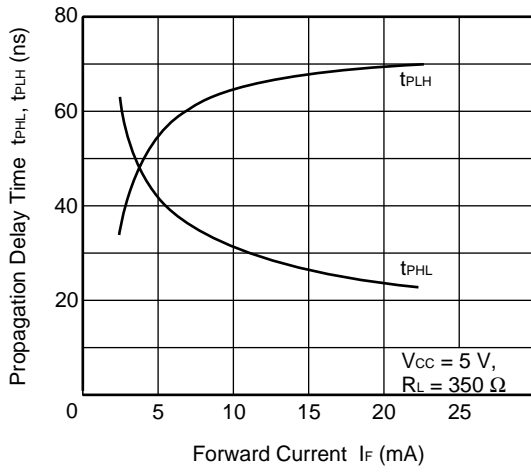


Remark C_L is approximately 15 pF, which includes probe and stray wiring capacitance.

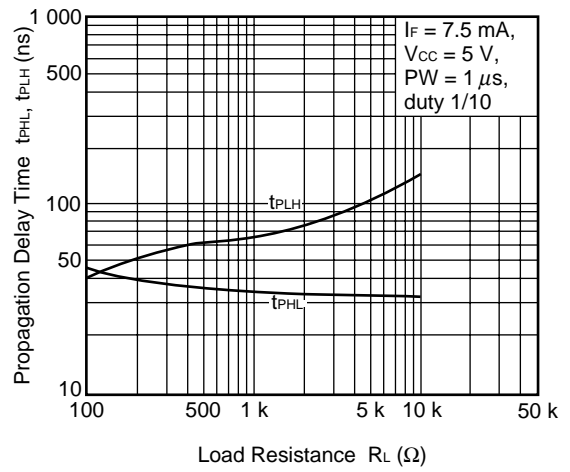
★ TYPICAL CHARACTERISTICS ($T_A = 25\text{ }^\circ\text{C}$, unless otherwise specified)



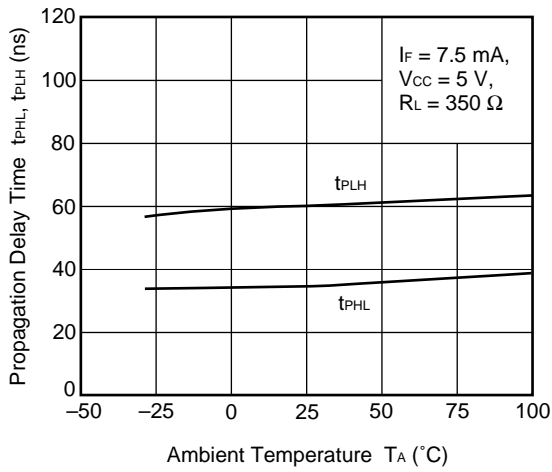
PROPAGATION DELAY TIME vs. FORWARD CURRENT



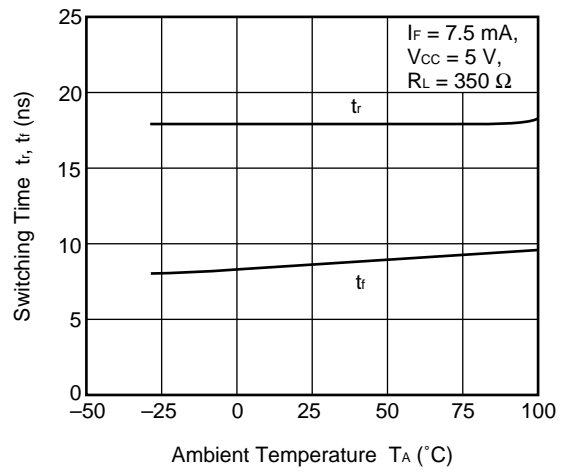
PROPAGATION DELAY TIME vs. LOAD RESISTANCE



PROPAGATION DELAY TIME vs. AMBIENT TEMPERATURE



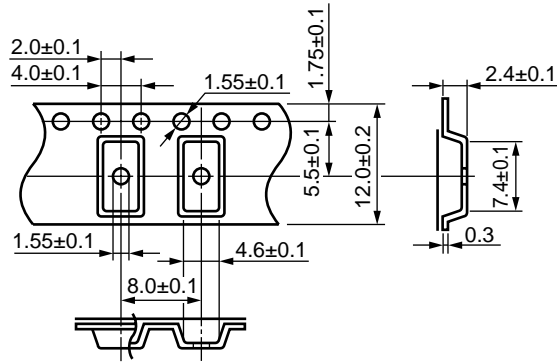
SWITCHING TIME vs. AMBIENT TEMPERATURE



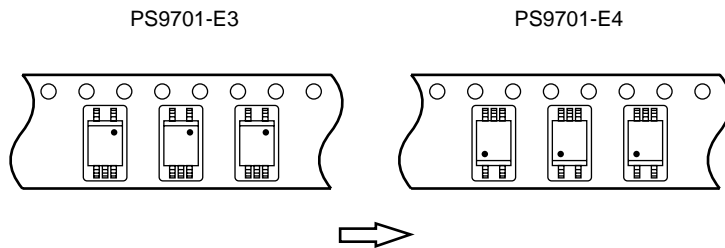
Remark The graphs indicate nominal characteristics.

★ TAPING SPECIFICATIONS (in millimeters)

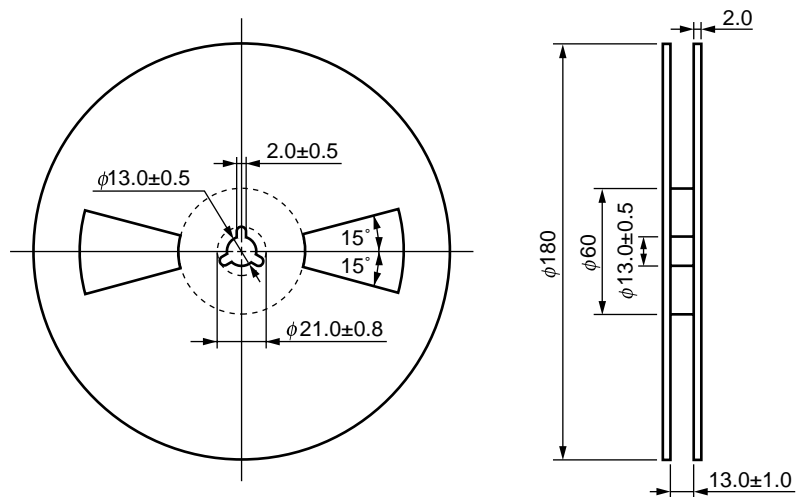
Outline and Dimensions (Tape)



Tape Direction

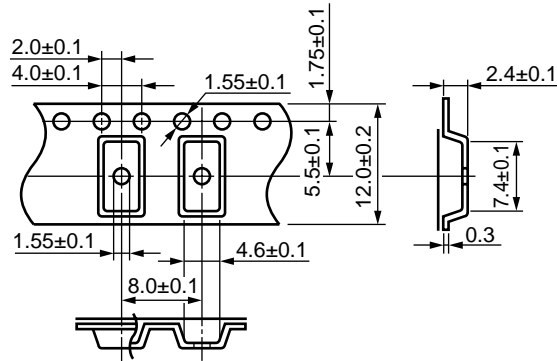


Outline and Dimensions (Tape)

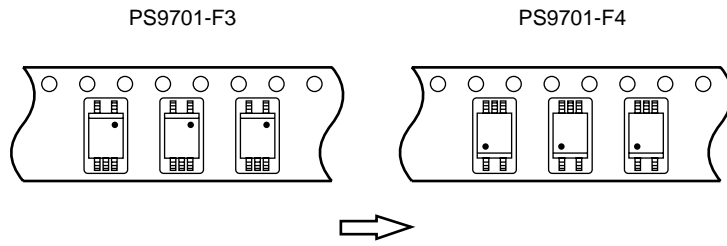


Packing: 900 pcs/reel

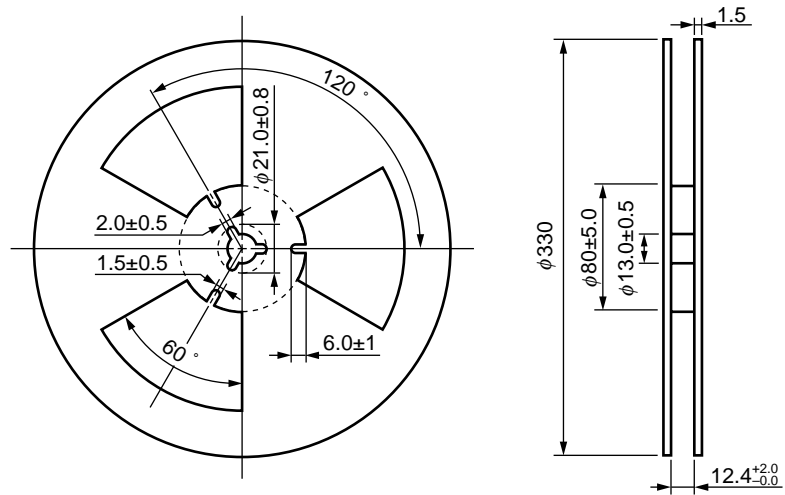
Outline and Dimensions (Tape)



Tape Direction



Outline and Dimensions (Reel)



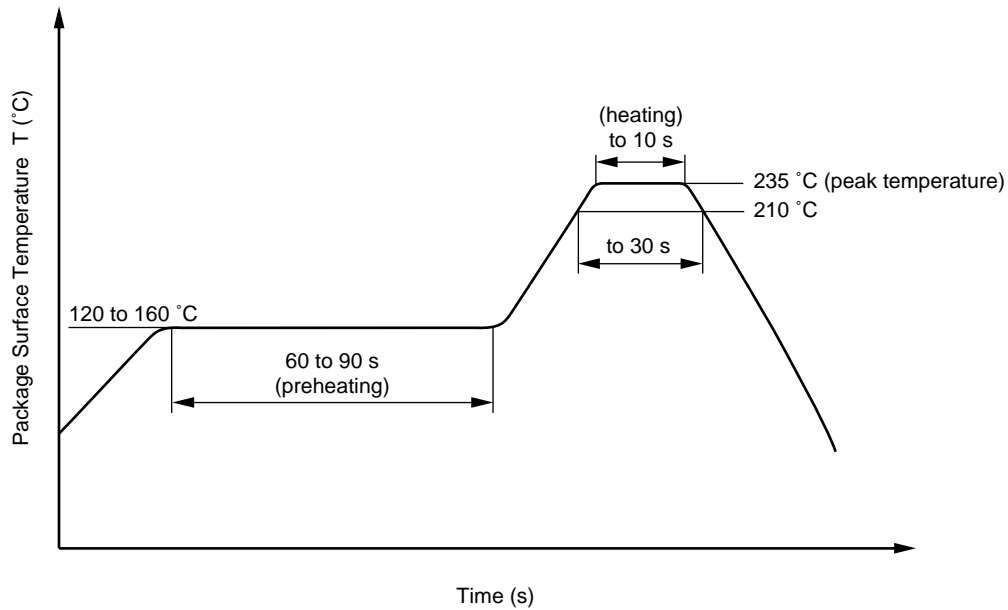
Packing: 3 500 pcs/reel

★ **RECOMMENDED SOLDERING CONDITIONS**

(1) Infrared reflow soldering

- Peak reflow temperature 235 °C (package surface temperature)
- Time of temperature higher than 210 °C 30 seconds or less
- Number of reflows Three
- Flux Rosin flux containing small amount of chlorine (The flux with a maximum chlorine content of 0.2 Wt % is recommended.)

Recommended Temperature Profile of Infrared Reflow



(2) Dip soldering

- Temperature 260 °C or below (molten solder temperature)
- Time 10 seconds or less
- Number of times One
- Flux Rosin flux containing small amount of chlorine (The flux with a maximum chlorine content of 0.2 Wt % is recommended.)

(3) Cautions

- Fluxes
Avoid removing the residual flux with freon-based and chlorine-based cleaning solvent.

SPECIFICATION OF VDE MARKS LICENSE DOCUMENT (VDE0884)

Parameter	Symbol	Speck	Unit
Application classification (DIN VDE 0109) for rated line voltages ≤ 300 Vr.m.s. for rated line voltages ≤ 600 Vr.m.s.		IV III	
Climatic test class (DIN IEC 68 Teil 1/09.80)		40/085/21	
Dielectric strength maximum operating isolation voltage. Test voltage (partial discharge test procedure a for type test and random test) $U_{pr} = 1.2 \times U_{IORM}, P_d < 5$ pC	U_{IORM} U_{pr}	710 850	V_{peak} V_{peak}
Test voltage (partial discharge test procedure b for random test) $U_{pr} = 1.6 \times U_{IORM}, P_d < 5$ pC	U_{pr}	1 140	V_{peak}
Highest permissible overvoltage	U_{TR}	4 000	V_{peak}
Degree of pollution (DIN VDE 0109)		2	
Clearance distance		> 5	mm
Creepage distance		> 5	mm
Comparative tracking index (DIN IEC 112/VDE 0303 part 1)	CTI	175	
Material group (DIN VDE 0109)		III a	
Storage temperature range	T_{stg}	-55 to +125	°C
Operating temperature range	T_A	-40 to +85	°C
Isolation resistance, minimum value $V_{IO} = 500$ V dc at $T_A = 25$ °C $V_{IO} = 500$ V dc at T_A MAX. at least 100 °C	Ris MIN. Ris MIN.	10^{12} 10^{11}	Ω Ω
Safety maximum ratings (maximum permissible in case of fault, see thermal derating curve)			
Package temperature	T_{si}	150	°C
Current (input current $I_F, P_{si} = 0$)	I_{si}	200	mA
Power (output or total power dissipation)	P_{si}	300	mW
Isolation resistance $V_{IO} = 500$ V dc at $T_A = 175$ °C (T_{si})	Ris MIN.	10^9	Ω

[MEMO]

CAUTION

Within this device there exists GaAs (Gallium Arsenide) material which is a harmful substance if ingested. Please do not under any circumstances break the hermetic seal.

NEPOC is a trademark of NEC Corporation.

- **The information in this document is subject to change without notice. Before using this document, please confirm that this is the latest version.**
 - No part of this document may be copied or reproduced in any form or by any means without the prior written consent of NEC Corporation. NEC Corporation assumes no responsibility for any errors which may appear in this document.
 - NEC Corporation does not assume any liability for infringement of patents, copyrights or other intellectual property rights of third parties by or arising from use of a device described herein or any other liability arising from use of such device. No license, either express, implied or otherwise, is granted under any patents, copyrights or other intellectual property rights of NEC Corporation or others.
 - Descriptions of circuits, software, and other related information in this document are provided for illustrative purposes in semiconductor product operation and application examples. The incorporation of these circuits, software, and information in the design of the customer's equipment shall be done under the full responsibility of the customer. NEC Corporation assumes no responsibility for any losses incurred by the customer or third parties arising from the use of these circuits, software, and information.
 - While NEC Corporation has been making continuous effort to enhance the reliability of its semiconductor devices, the possibility of defects cannot be eliminated entirely. To minimize risks of damage or injury to persons or property arising from a defect in an NEC semiconductor device, customers must incorporate sufficient safety measures in its design, such as redundancy, fire-containment, and anti-failure features.
 - NEC devices are classified into the following three quality grades:
"Standard", "Special", and "Specific". The Specific quality grade applies only to devices developed based on a customer designated "quality assurance program" for a specific application. The recommended applications of a device depend on its quality grade, as indicated below. Customers must check the quality grade of each device before using it in a particular application.
 - Standard: Computers, office equipment, communications equipment, test and measurement equipment, audio and visual equipment, home electronic appliances, machine tools, personal electronic equipment and industrial robots
 - Special: Transportation equipment (automobiles, trains, ships, etc.), traffic control systems, anti-disaster systems, anti-crime systems, safety equipment and medical equipment (not specifically designed for life support)
 - Specific: Aircraft, aerospace equipment, submersible repeaters, nuclear reactor control systems, life support systems or medical equipment for life support, etc.
- The quality grade of NEC devices is "Standard" unless otherwise specified in NEC's Data Sheets or Data Books. If customers intend to use NEC devices for applications other than those specified for Standard quality grade, they should contact an NEC sales representative in advance.