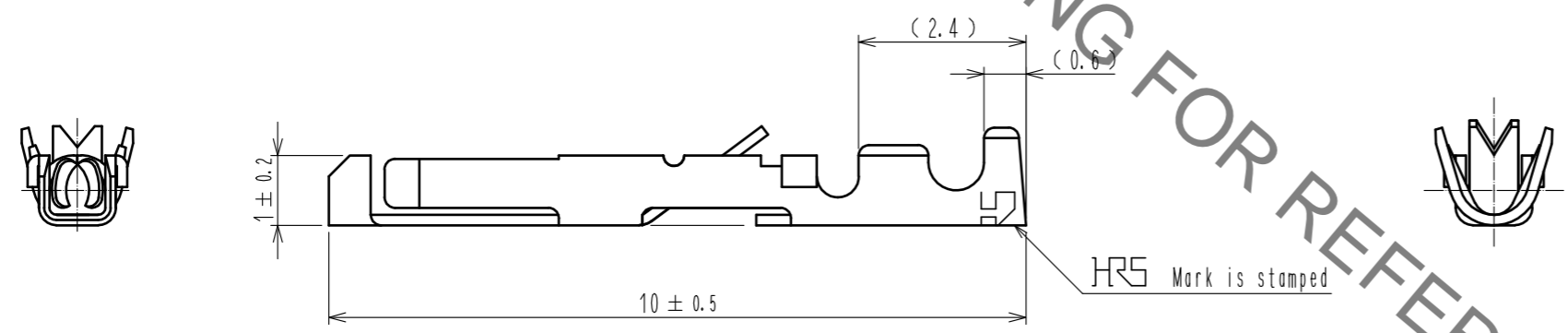
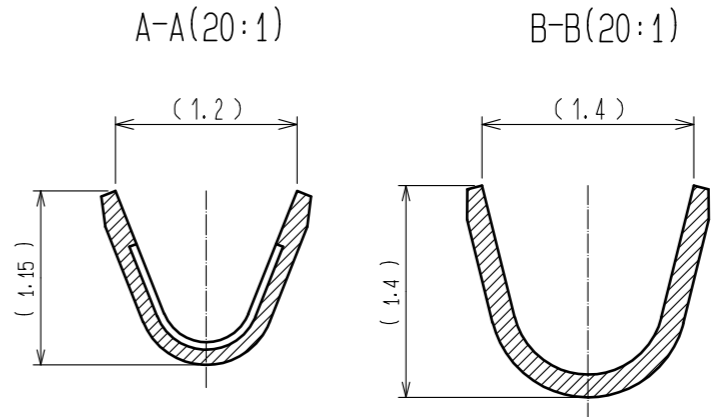
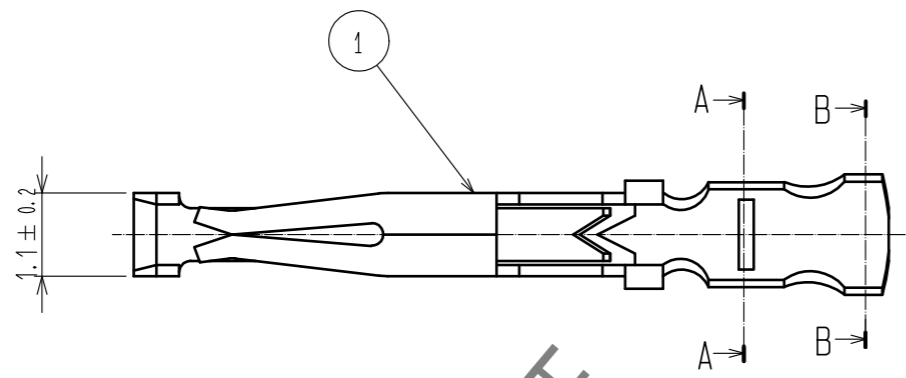
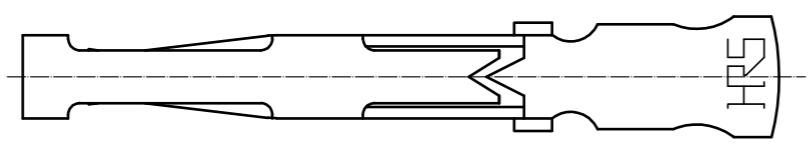


Jul.1.2022 Copyright 2022 HIROSE ELECTRIC CO., LTD. All Rights Reserved.  
 In case of consideration for using Automotive equipment / device which demand high reliability, kindly contact our sales window correspondents.



HRS Mark is stamped



HRS DRAWING FOR REFERENCE

Notes 1. Applicable wire size : #26~#30 AWG  
 △ Hand crimping tool : HT802/HR12-SC-1 (CL150-0400-3-00)

1	Phosphor bronze	Selective gold plating(100 pcs.)				
NO.	MATERIAL	FINISH . REMARKS	NO.	MATERIAL	FINISH . REMARKS	
UNITS mm		SCALE 10: 1	COUNT △ 1	DESCRIPTION OF REVISIONS DIS-C-00000816		DESIGNED HK. NAMAI
				APPROVED : MR. YOSHIDA	05. 01. 05	CHECKED HY. KOBAYASHI
				CHECKED : MO. SATOH	05. 01. 05	DATE 16. 02. 23
				DESIGNED : YH. YAMADA	05. 01. 05	DRAWING NO. EDC3-022994-00
				DRAWN : YH. YAMADA	05. 01. 05	PART NO. HR12-SC-111
						CODE NO. CL112-0410-0-00