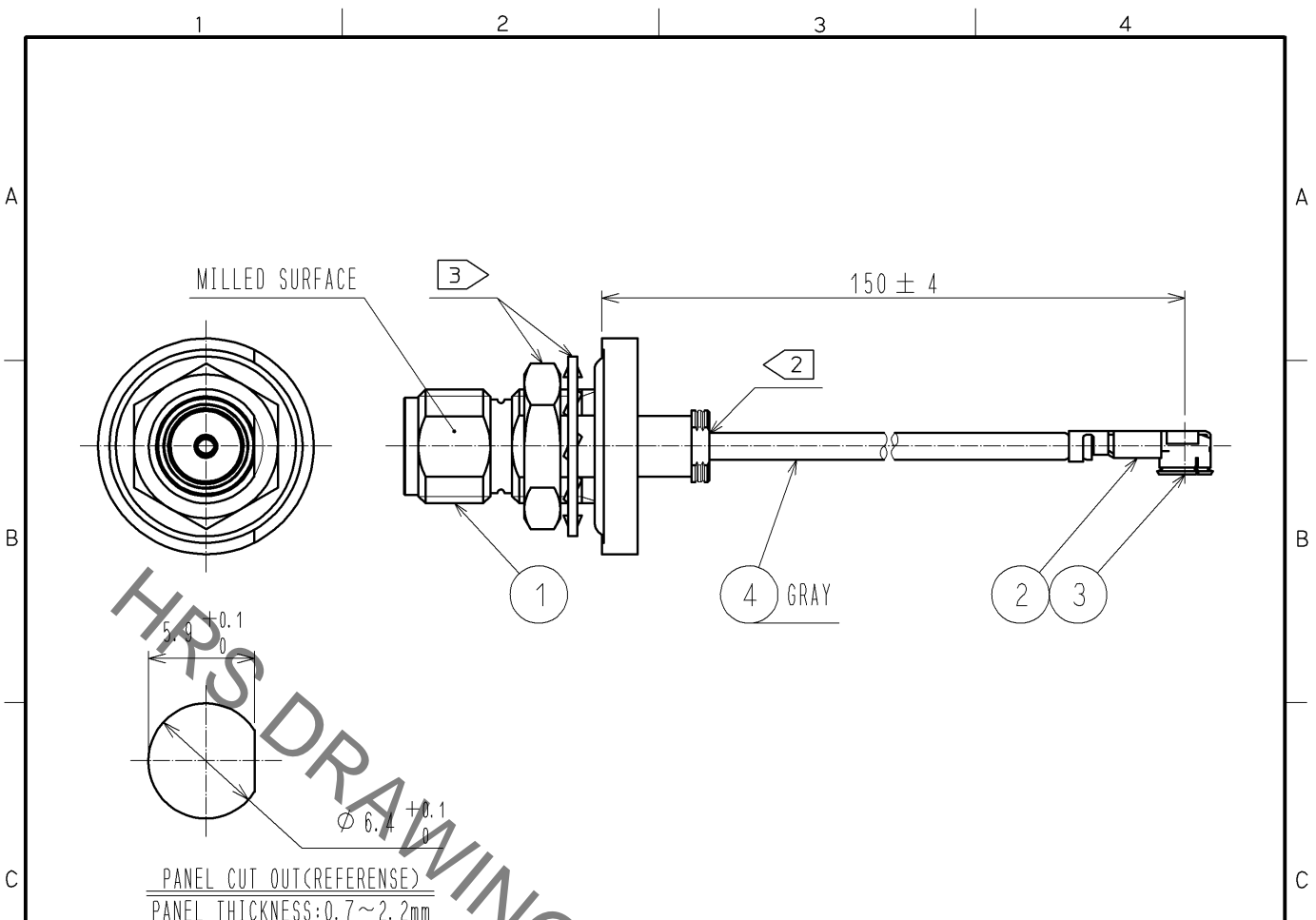
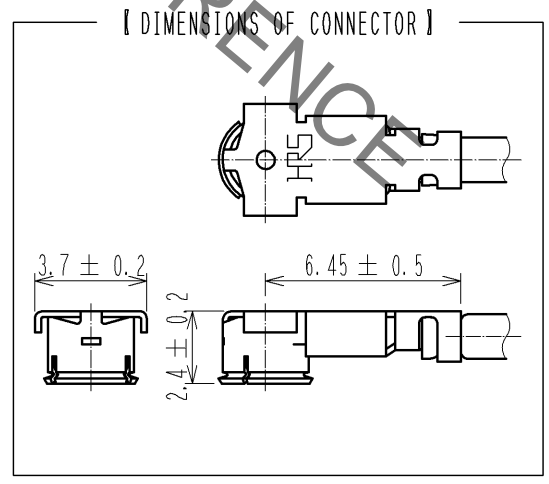


Aug.1.2022 Copyright 2022 HIROSE ELECTRIC CO., LTD. All Rights Reserved.
 In case of consideration for using Automotive equipment / device which demand high reliability, kindly contact our sales window correspondents.



PANEL CUT OUT(REFERENCE)
 PANEL THICKNESS:0.7~2.2mm

- NOTE
- 1. Connector rotation angle is within ± 45 degree from the above image.
 - 2 Do not apply any excessive stress to the cable assembly position.
 - 3 Lock nut and tooth washer are attached separately in other package.



RoHS COMPLIANT

| | | | | |
|-----|-------------------------|-----------------|-----|---------------|
| 3 | H. FL-LP FEMALE CONTACT | CL331-0511-2-00 | | |
| 2 | H. FL-LP-DFS111-A(C01) | CL331-0507-5-01 | | |
| 1 | HRM-200-088WBPJBN | CL323-0920-7-00 | 4 | DFS111-UL1979 |
| NO. | PART NO. | CODE NO. | NO. | PART NO. |
| | | | | Junkosha Inc. |
| | | | | MANUFACTURER |

| | | | | | | | |
|---------------------------|--|---------------|-----------|--|---|---------|------|
| UNITS mm | | SCALE FREE | COUNT | DESCRIPTION OF REVISIONS | DESIGNED | CHECKED | DATE |
| HIROSE ELECTRIC CO., LTD. | | | | APPROVED :MH. YAMANE 12.12.18 CHECKED :TS. NOBE 12.12.18 DESIGNED :NK. OOSAWA 12.12.15 DRAWN :NK. OOSAWA 12.12.15 | DRAWING NO. EDC4-349670-01 PART NO. HRMWBPJ-H. FLA-111-A-150RS CODE NO. CL321-5938-7-01 | | |