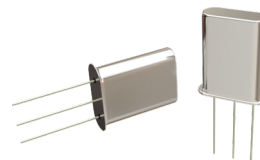


## HC-49T/49U Crystal Filter 11.0x4.7x13.5/11.0 mm

### Feature

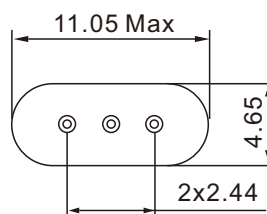
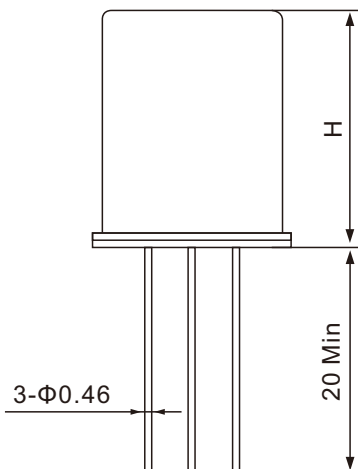
- Frequency Range : 7.8MHz~60MHz
- Low Insertion loss
- High selectivity
- Shock Resistant , High reliability



### Electrical Specifications

Type	Frequency (MHz)	Bandwidth		Stop BandWidth				Ripple (dB)	Insertion Loss(dB)	Guaranteed Attenuation (dB)	Terminating Impedance (KΩ//pF)	No of Poles	Size (mm)
		dB	KHz	dB	KHz	dB	KHz						
10M7.5A	10.7	3	3.75	20	18	-	-	0.5	1.5	20	1.8//5	2	HC-49T
10M7.5B	10.7	3	3.75	40	14	-	-	1	2	40	1.8//5	4	HC-49T×2
10M12A	10.7	3	6	20	23	-	-	0.5	1.5	20	2.5//2.5	2	HC-49T
10M12B	10.7	3	6	40	20	-	-	1	2.5	40	2.5//1.5	4	HC-49T×2
10M15A	10.7	3	7.5	18	25	-	-	1	1.5	20	3.0//2.0	2	HC-49T
10M15B	10.7	3	7.5	40	25	-	-	1	2	40	3.0//1.5	4	HC-49T×2
7M5A	7.8	1	2.5	15	10	-	-	1	2	-	3300//1.5	2	HC-49T
8M7.5A1	8.192	3	3.75	-	-	40	40	1	1.5	-	2000	2	HC-49T
8M7.5A2	8.448	3	7.5	18	30	50	80	1	2	-	3000	2	HC-49T
16M7.5A1	16.9	3	3.75	-	-	40	30	1	2	-	1000	2	HC-49T
16M7.5A2	16.9	3	7.5	18	28	-	-	0.5	2	-	1500//2.0	2	HC-49T
10M8A	10	3	4	40	30	-	-	0.5	2	40	1500	2	HC-49T
17.9M15B	17.9	3	7.5	40	25	-	-	1	1.5	40	2000	4	HC-49T×2
21.7M15B	21.7	3	7.5	40	25	-	-	1	1.5	40	1200	4	HC-49T×2
P60MA1	60	3	3	40	30	-	-	1	1.5	40	1.5	2	HC-49T

### Dimension(mm)



Package	Height(mm)
HC-49U	13.5
HC-49T	11.0