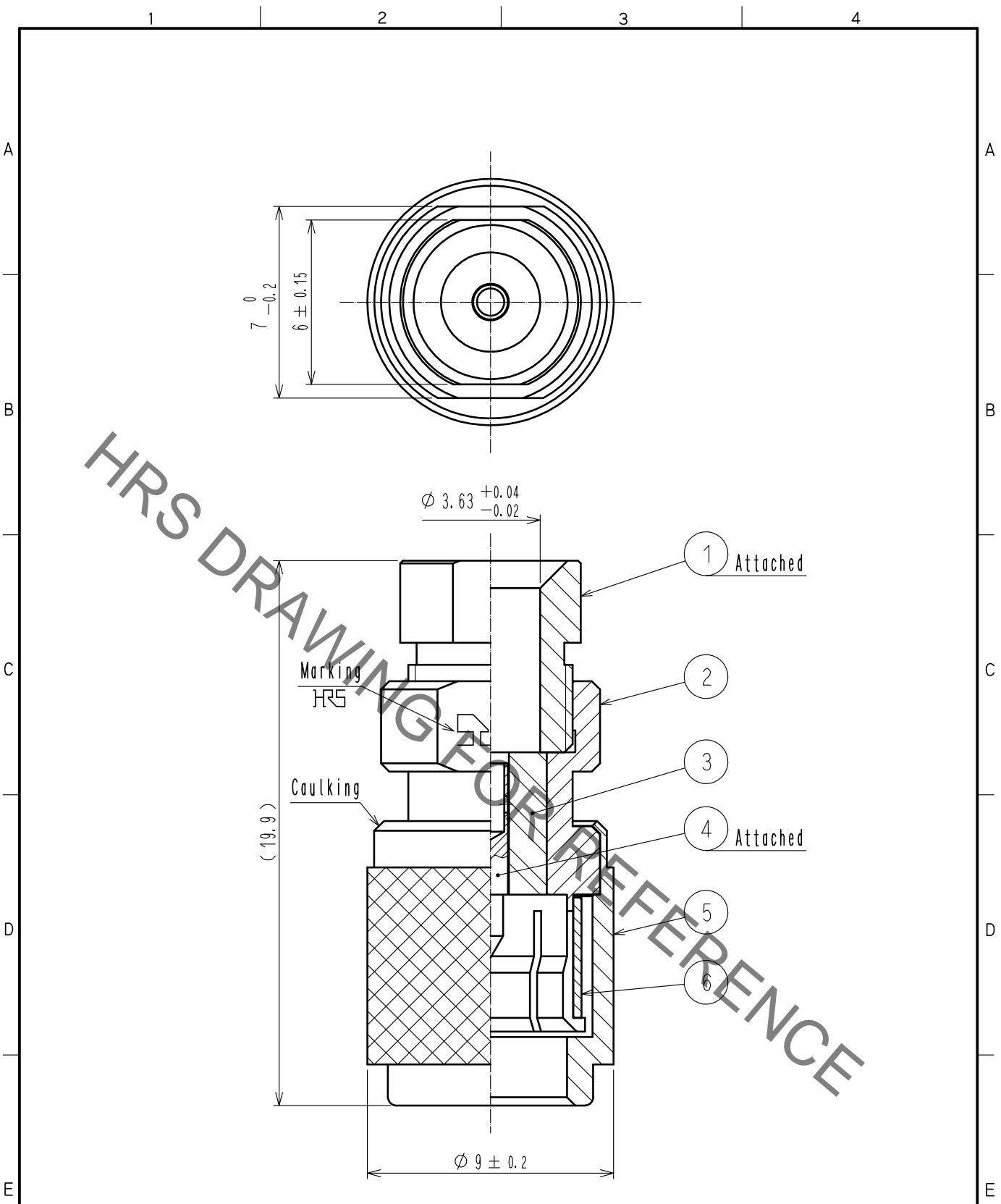


Aug. 1. 2022 Copyright 2022 HIROSE ELECTRIC CO., LTD. All Rights Reserved.  
 In case of consideration for using Automotive equipment / device which demand high reliability, kindly contact our sales window correspondents.



3	PTFE		6	STAINLESS STEEL	
2	BRASS	GOLD PLATING	5	BRASS	NICKEL PLATING
1	STAINLESS STEEL	GOLD PLATING	4	BRASS	GOLD PLATING
NO.	MATERIAL	FINISH . REMARKS	NO.	MATERIAL	FINISH . REMARKS

UNITS mm		SCALE 5 : 1	COUNT 	DESCRIPTION OF REVISIONS	DESIGNED	CHECKED	DATE
HIROSE ELECTRIC CO., LTD.		APPROVED : NK. NINOMIYA	20220304	DRAWING NO.	EDC-007341-40-00		
		CHECKED : NK. NINOMIYA	20220304	PART NO.	POB-P-141(40)		
		DESIGNED : MT. KANEKO	20220304	CODE NO.	CL0326-0001-0-40		
		DRAWN : NK. OOSHIMA	20220304				