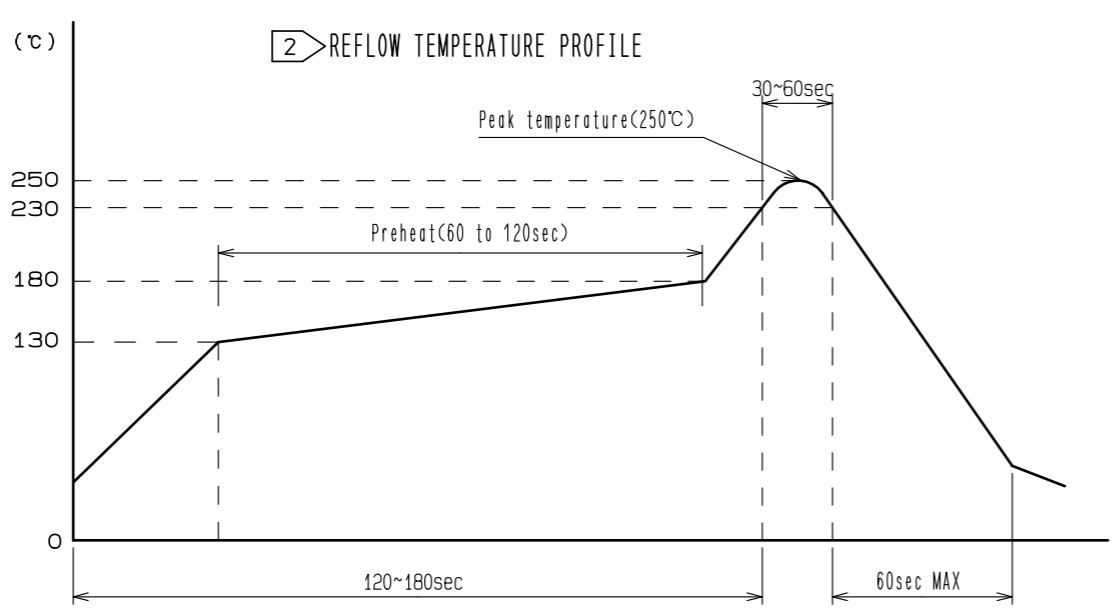
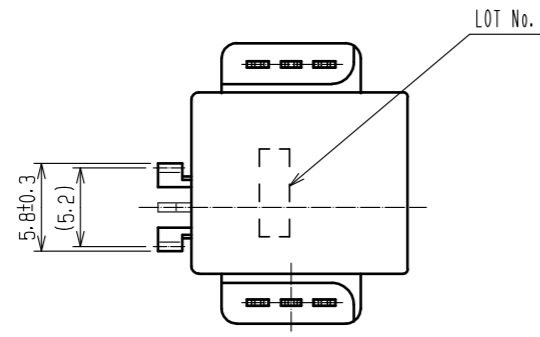
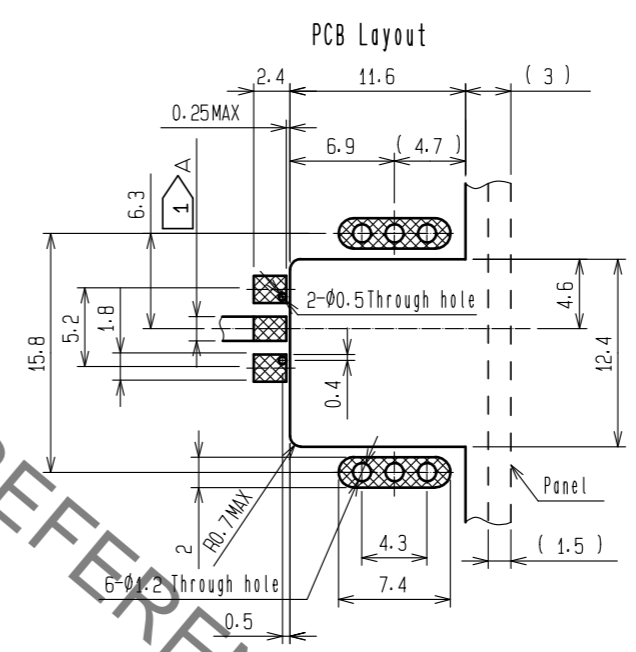
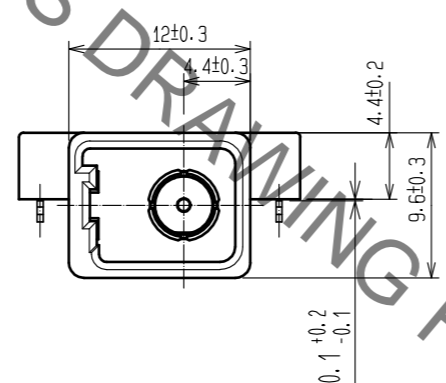
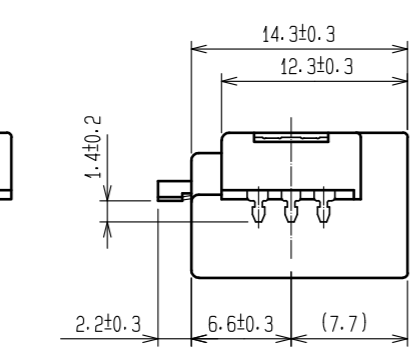
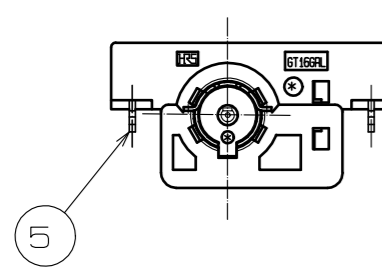
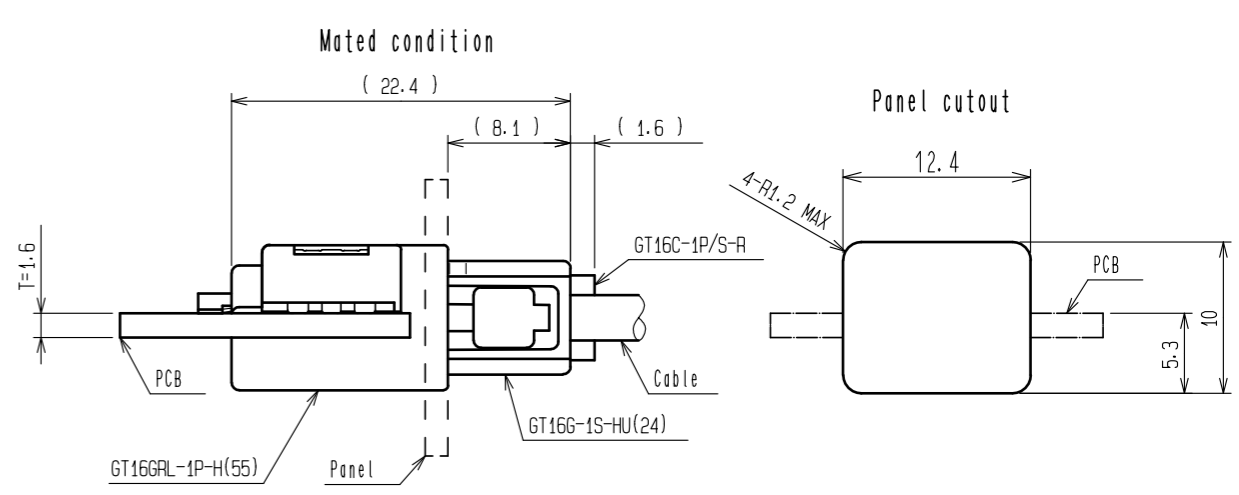
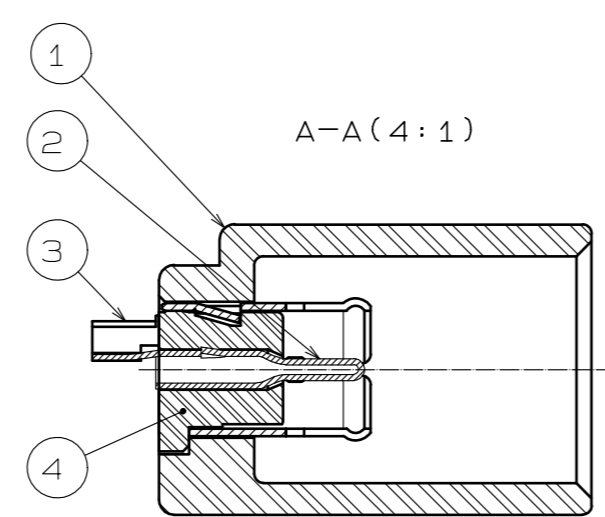
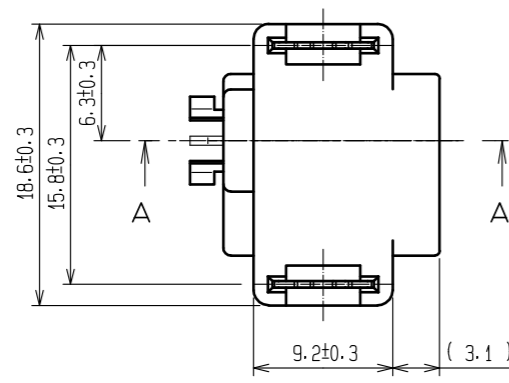


Aug.1.2022 Copyright 2022 HIROSE ELECTRIC CO., LTD. All Rights Reserved.  
In case of consideration for using Automotive equipment / device which demand high reliability, kindly contact our sales window correspondents.

ELV. RoHS COMPLIANT

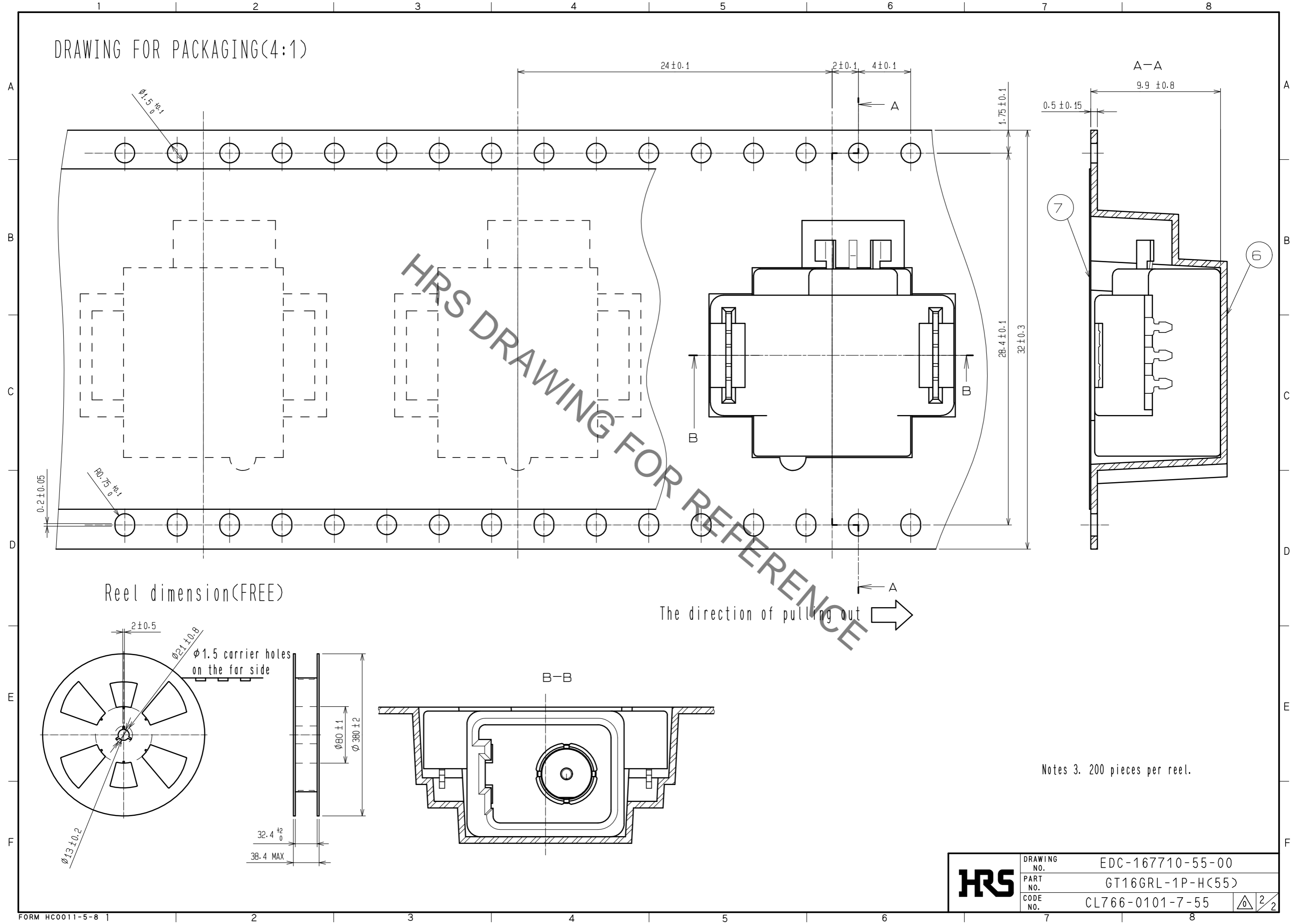


NOTES 1 Use MICRO-STRIPLINE to be 50Ω for A dimension.  
2 Recommended reflow temperature profile is as shown.

4	PPS	Natural	7	PET	Cover tape
3	Phosphor bronze	Tin plating	6	PS	Embossed carrier tape
2	Phosphor bronze	Tin plating	5	Brass	Tin plating
1	PPS	Black			
NO.	MATERIAL	FINISH . REMARKS	NO.	MATERIAL	FINISH . REMARKS
UNITS mm		SCALE 2 : 1	COUNT	DESCRIPTION OF REVISIONS	
DESIGNED		CHECKED		DATE	
APPROVED : KI. HIROKAWA 20200511			DRAWING NO. EDC-167710-55-00		
CHECKED : MO. OKADA 20200511			PART NO. GT16GRL-1P-H(55)		
DESIGNED : HK. WATANABE 20200430			CODE NO. CL766-0101-7-55		
DRAWN : YK. MITSUISHI 20200309			1/2		

Aug.1.2022 Copyright 2022 HIROSE ELECTRIC CO., LTD. All Rights Reserved.  
 In case of consideration for using Automotive equipment / device which demand high reliability, kindly contact our sales window correspondents.

DRAWING FOR PACKAGING(4:1)



HRS DRAWING FOR REFERENCE

Notes 3. 200 pieces per reel.

<b>HRS</b>	DRAWING NO.	EDC-167710-55-00	$\triangle$ 2/2
	PART NO.	GT16GRL-1P-H(55)	
	CODE NO.	CL766-0101-7-55	