



4.3-10 Male Low PIM Snap-On Connector Solder Attachment for SPP-250-LLPL, SPF-250, SPO-250, 1/4" Superflexible, PE-1/4SFHC

RF Connectors Technical Data Sheet



TC-250-4310MS-LP

Times Microwave Systems Connector Specification

Configuration

- Snap-On 4.3-10 Male Connector
- 50 Ohms
- Straight Body Geometry
- Connector Interface Types: SPP-250-LLPL, SPF-250, SPO-250, 1/4" Superflexible, PE-1/4SFHC
- Low PIM Design

Features

- Max. Operating Frequency 6 GHz
- Excellent VSWR of 1.25:1
- PIM levels lower than -160 dBc
- Silver Plated Brass Contact
- 5 μ m contact plating

Applications

- General Purpose Test
- Custom Cable Assemblies
- Distributed Antenna Systems (DAS)
- Wireless Communications
- Low PIM Applications

Description

Times Microwave's TC-250-4310MS-LP 4.3-10 male snap-on connector offered by Pasternack with solder/solder attachment for Times' SPP-250-LLPL, SPF-250, SPO-250, 1/4" Superflexible and PE-1/4SFHC is part of our full line of RF components available for same-day shipping. Times Microwave's 4.3-10 male connector operates up to a maximum frequency of 6 GHz and offers excellent VSWR of 1.25:1. The Times 4.3-10 male connector also has low passive intermodulation of -160 dBc.

Times Microwave's 4.3-10 male connector TC-250-4310MS-LP datasheet specifications and drawing with dimensions are shown below in this PDF. Pasternack's broad catalog of RF, microwave and millimeter wave connectors allows designers to configure and customize their signal connections however they like. Whether the need is to provide an I/O for a board design, or simply create a custom cable assembly configuration, Pasternack has the right connector for the job. Pasternack can also expertly build your custom cable assemblies for you and ship same-day.

Electrical Specifications

Description	Minimum	Typical	Maximum	Units
Frequency Range	DC		6	GHz
VSWR			1.25:1	
Insertion Loss			0.25	dB
Passive Intermodulation			-160	dBc
Operating Voltage (DC)			1,000	Vdc
Dielectric Withstanding Voltage (AC)			1,000	Vrms
Insulation Resistance	5,000			MOhms

Click the following link (or enter part number in "SEARCH" on website) to obtain additional part information including price, inventory and certifications: [4.3-10 Male Low PIM Snap-On Connector Solder Attachment for SPP-250-LLPL, SPF-250, SPO-250, 1/4" Superflexible, PE-1/4SFHC TC-250-4310MS-LP](#)



4.3-10 Male Low PIM Snap-On Connector Solder Attachment for SPP-250-LLPL, SPF-250, SPO-250, 1/4" Superflexible, PE-1/4SFHC

RF Connectors
Technical Data Sheet



TC-250-4310MS-LP

Performance by Frequency

Description	F1	F2	F3	F4	F5	Units
Frequency Range	DC to 3	3 to 6				GHz
VSWR, Max	1.15:1	1.25:1				

Electrical Specification Notes:
Insertion Loss is 0.1*sqrt(FGHz)

Mechanical Specifications

Size

Length	1.13 in [28.7 mm]
Width/Dia.	0.84 in [21.34 mm]
Height	0.84 in [21.34 mm]
Weight	0.0835 lbs [37.87 g]
Mating Cycles	500 Cycles
Mating Torque	44.25 in-lbs [5.00 Nm]
Cable Retention Force	113 lbs 51.26 kg

Material Specifications

Description	Material	Plating
Contact	Brass	Silver 5 µm
Insulation	PTFE	
Body	Brass	Tri-Metal 2 µm
Coupling Nut	Brass	Tri-Metal 2 µm
Gasket	Silicone	

Environmental Specifications

Temperature

Operating Range	-55 to +85 deg C
Shock	MIL-STD 202G, Method 213, Condition I
Vibration	MIL-STD 202G, Method 204, Condition B
Thermal Shock	MIL-STD 202G, Method 107, Condition B

Environmental Specification Notes:
IEC 60068 55/155/56

Click the following link (or enter part number in "SEARCH" on website) to obtain additional part information including price, inventory and certifications: [4.3-10 Male Low PIM Snap-On Connector Solder Attachment for SPP-250-LLPL, SPF-250, SPO-250, 1/4" Superflexible, PE-1/4SFHC TC-250-4310MS-LP](#)



4.3-10 Male Low PIM Snap-On Connector Solder Attachment for SPP-250-LLPL, SPF-250, SPO-250, 1/4" Superflexible, PE-1/4SFHC

RF Connectors
Technical Data Sheet

Compliance Certifications (see [product page](#) for current document)

Plotted and Other Data

Notes:

4.3-10 Male Low PIM Snap-On Connector Solder Attachment for SPP-250-LLPL, SPF-250, SPO-250, 1/4" Superflexible, PE-1/4SFHC from Pasternack Enterprises has same day shipment for domestic and International orders. Our RF, microwave and millimeter wave products maintain a 99.4% availability and are part of the broadest selection in the industry.

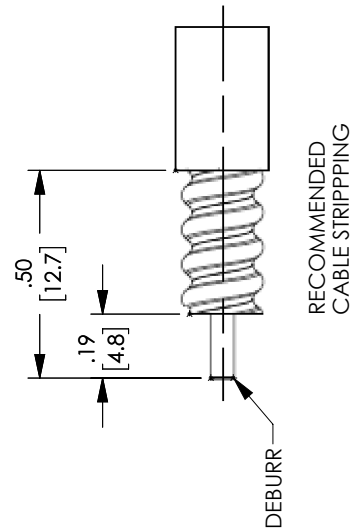
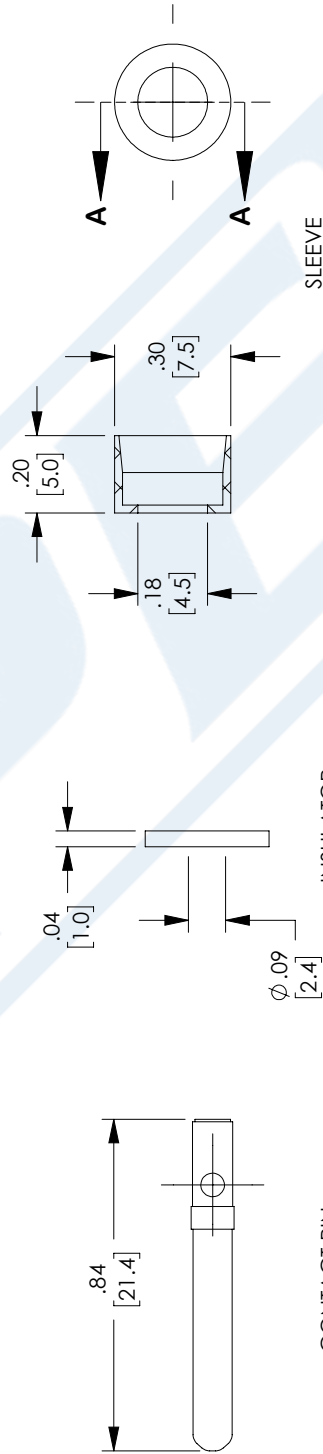
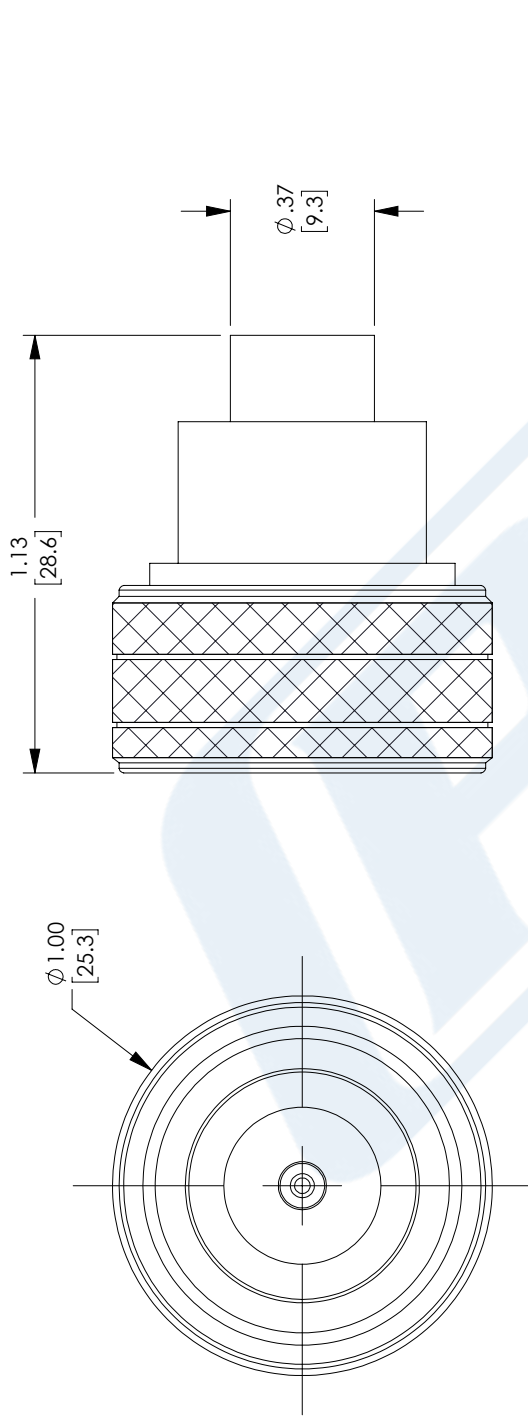
Click the following link (or enter part number in "SEARCH" on website) to obtain additional part information including price, inventory and certifications: [4.3-10 Male Low PIM Snap-On Connector Solder Attachment for SPP-250-LLPL, SPF-250, SPO-250, 1/4" Superflexible, PE-1/4SFHC TC-250-4310MS-LP](#)

URL: <https://www.pasternack.com/4.3-10-male-snap-on-spp-250-llpl-connector-tc-250-4310ms-lp-p.aspx>

The information contained in this document is accurate to the best of our knowledge and representative of the part described herein. It may be necessary to make modifications to the part and/or the documentation of the part, in order to implement improvements. Pasternack reserves the right to make such changes as required. Unless otherwise stated, all specifications are nominal. Pasternack does not make any representation or warranty regarding the suitability of the part described herein for any particular purpose, and Pasternack does not assume any liability arising out of the use of any part or documentation.

TIMES MICROWAVE SYSTEMS **TC-250-4310MS-LP CAD Drawing**
 4.3-10 Male Low PIM Snap-On Connector Solder Attachment for SPP-
 250-LLPL, SPF-250, SPO-250, 1/4" Superflexible, PE-1/4SFHC

REVISIONS			
REV.	DESCRIPTION	DATE	APPROVED
A	INITIAL RELEASE	03/10/2021	SELLIS



UNLESS OTHERWISE SPECIFIED LEADING DIMENSIONS ARE INCHES DIMENSIONS IN [] ARE MILLIMETERS

TOLERANCES:
 .X = ±.2 [5.08] FRACTIONS ± 1/32
 .XX = ±.02 [.51] ANGLES ± 1°
 .XXX = ±.005 [.13]
 CABLE LENGTH (L) TOLERANCES:
 L ≤ 12 [305] = +1 [25] / -0
 12 [305] < L ≤ 60 [1524] = +2 [51] / -0
 60 [1524] < L ≤ 120 [3048] = +4 [102] / -0
 120 [3048] < L ≤ 300 [7620] = +6 [152] / -0
 300 [7620] < L = +5%L / -0

ALL DIMENSIONS SHOWN ARE FOR REFERENCE ONLY.

THIRD-ANGLE PROJECTION

THE INFORMATION AND DESIGN IN THIS DOCUMENT IS THE PROPERTY OF PASTERNAK CORPORATION ALL RIGHTS RESERVED.

SHEET 1 OF 1
 SCALE N/A

PE PASTERNAK
 an INFINITI[®] brand

Pasternack Enterprises, Inc.
 P.O. Box 16759, Irvine, CA 92623.
 Phone: 1.949.261.1920 | 1.866.727.8376
 Fax: 1.949.261.7451
 Website: www.pasternack.com
 E-mail: sales@pasternack.com

ITEM NO. TC-250-4310MS-LP

SIZE A CAGE CODE 53919 DRAWN BY DFRISIELLO

REV A