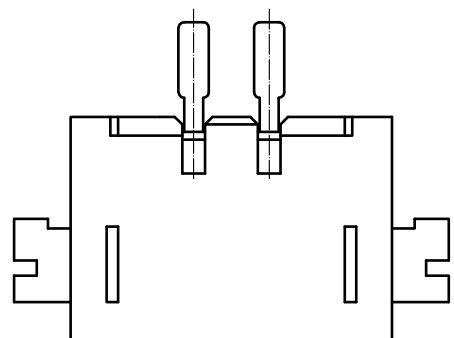
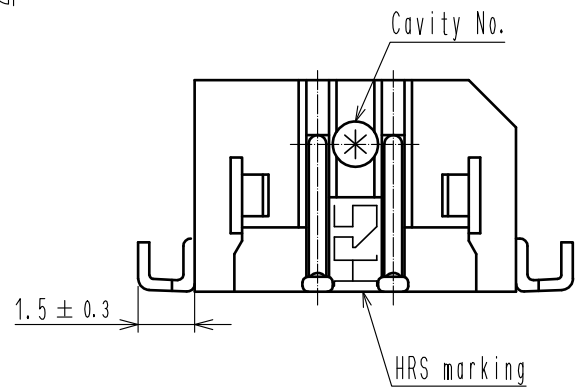
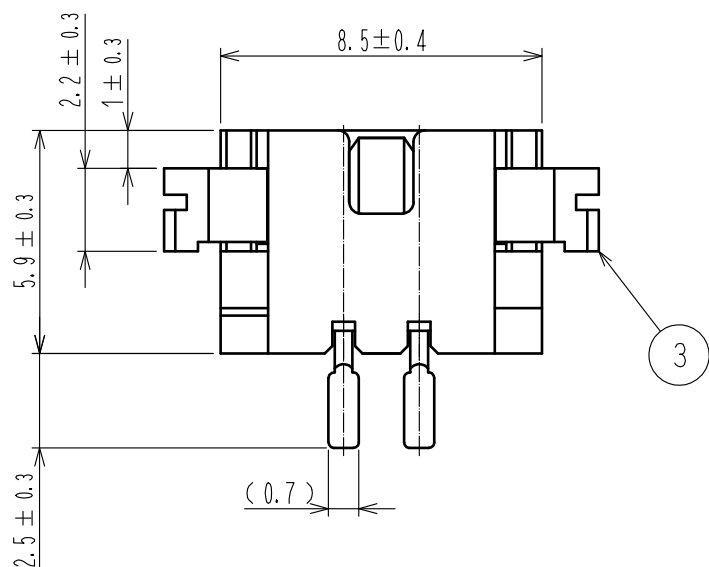
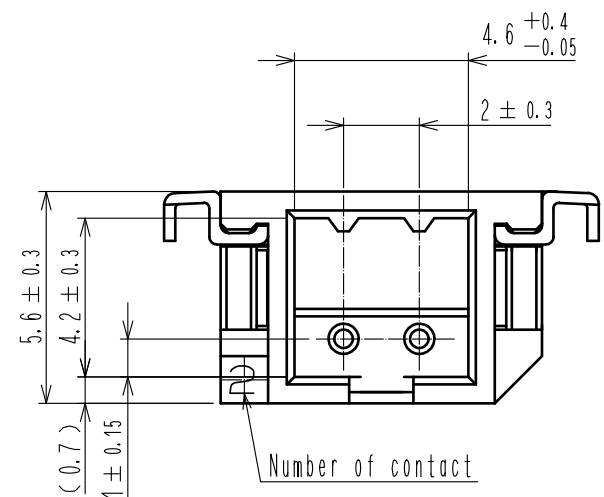
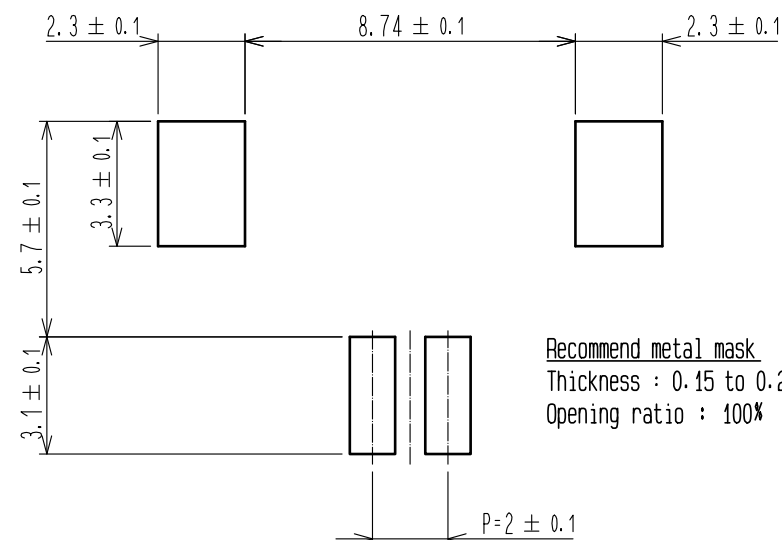


Aug.1.2022 Copyright 2022 HIROSE ELECTRIC CO., LTD. All Rights Reserved.  
 In case of consideration for using Automotive equipment / device which demand high reliability, kindly contact our sales window correspondents.



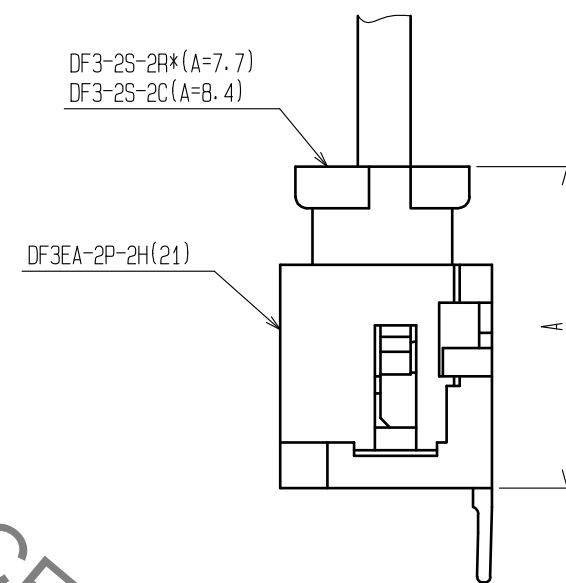
HRS DRAWING FOR REFERENCE

Recommended pattern



Recommend metal mask  
 Thickness : 0.15 to 0.2mm  
 Opening ratio : 100%

Mated connectors



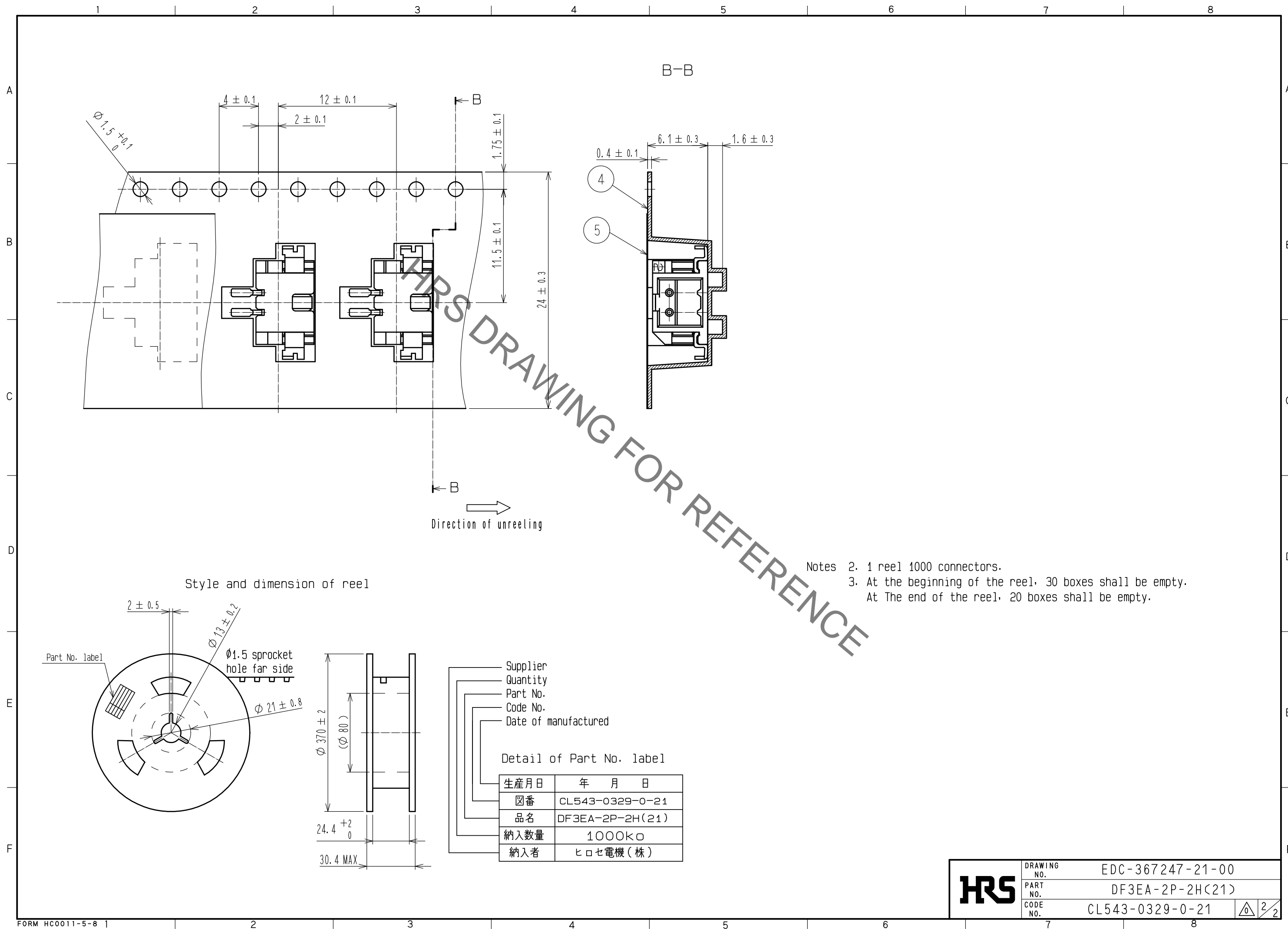
Notes 1. Lead co-planarity include reinforced metal fittings shall be 0.1mm MAX.

| NO. | MATERIAL  | FINISH . REMARKS   | NO. | MATERIAL  | FINISH . REMARKS   |
|-----|-----------|--|-----|-----------|--|
| 2   | Brass     | Surface: Tin plated 1μm MIN<br>(Under plating) Copper plated 0.5μm MIN | 5   | Polyester | Clear (Cover tape)   |
| 1   | Polyamide | Natural (Beige), UL94V-0   | 4   | PS        | Clear (Embossed carrier tape)  |
|     |           |  | 3   | Brass     | Surface: Tin plated 1μm MIN<br>(Under plating) Nickel plated 1μm MIN |

| UNITS                    | SCALE | COUNT | DESCRIPTION OF REVISIONS | DESIGNED                     | CHECKED | DATE |
|--------------------------|-------|-------|--------------------------|------------------------------|---------|------|
| mm                       | 5 : 1 | △     |                          |                              |         |      |
| APPROVED : HS. OKAWA     |       |       | 17.06.29                 | DRAWING NO. EDC-367247-21-00 |         |      |
| CHECKED : TS. FUKUSHIMA  |       |       | 17.06.29                 | PART NO. DF3EA-2P-2H(21)     |         |      |
| DESIGNED : TO. KUROMATSU |       |       | 17.06.29                 | CODE NO. CL543-0329-0-21     |         |      |
| DRAWN : TO. KUROMATSU    |       |       | 17.06.29                 | △ 1/2                        |         |      |

Aug.1.2022 Copyright 2022 HIROSE ELECTRIC CO., LTD. All Rights Reserved.  
 In case of consideration for using Automotive equipment / device which demand high reliability, kindly contact our sales window correspondents.



|            |             |                  |
|------------|-------------|------------------|
| <b>HRS</b> | DRAWING NO. | EDC-367247-21-00 |
|            | PART NO.    | DF3EA-2P-2H(21)  |
|            | CODE NO.    | CL543-0329-0-21  |
|            |             | $\triangle$ 2/2  |