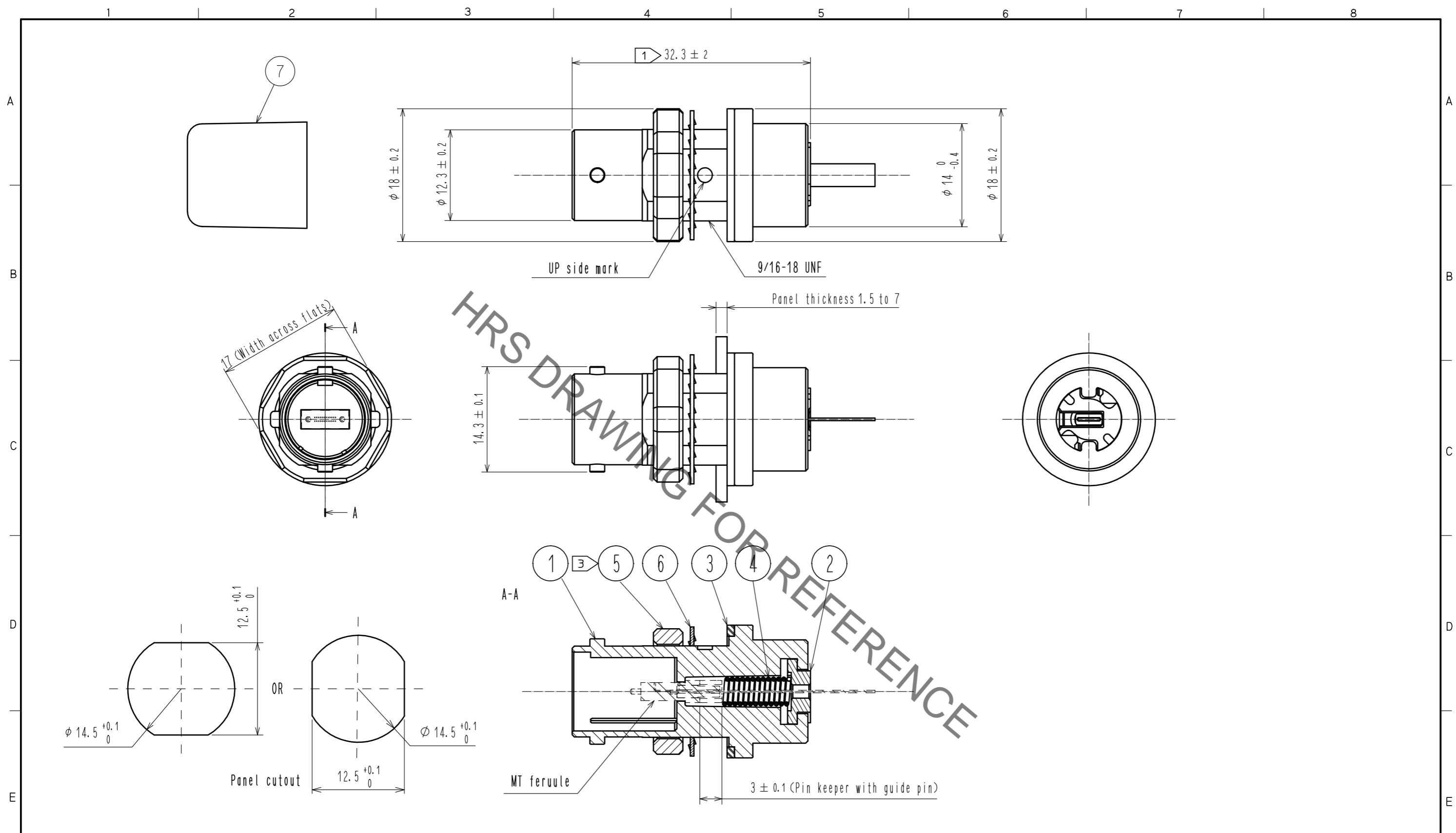


Aug.1.2022 Copyright 2022 HIROSE ELECTRIC CO., LTD. All Rights Reserved.
 In case of consideration for using Automotive equipment / device which demand high reliability, kindly contact our sales window correspondents.



NOTE

- ① These dimensions indicate the condition after cable assembly.
2. MT ferrule and Pin keeper are NOT included in this product.
- ③ The recommended tightening torque of Ref. No. ⑤ to be 2.5 to 3 N·m.
4. Use specific tool to assemble this product.

4	Stainless Steel	12-ribbon fiber*2 :24 fibers			
3	Silicone Rubber	Black-Gray	④	7	Elastomer Color : Black
2	Zinc Die Casting	Ni Plating		6	Phosphor bronze Ni Plating
1	Zinc Die Casting	Ni Plating		5	Brass Ni Plating
NO.	MATERIAL	FINISH . REMARKS	NO.	MATERIAL	FINISH . REMARKS
UNITS mm		SCALE 2 : 1	COUNT ④ 1	DESCRIPTION OF REVISIONS DIS-K-00001313	
DESIGNED TY. SATO		CHECKED FS. YOSHIDA		DATE 17.12.14	
APPROVED : MT. SHIBUTANI 15.09.09		DRAWING NO. EDC-179678-00-00			
CHECKED : YY. HIYAMA 15.09.09		PART NO. MF11BMT-WRBB01			
DESIGNED : TY. SATO 15.09.09		CODE NO. CL709-7010-0-00			
DRAWN : TY. SATO 15.09.09				④ 1/1	