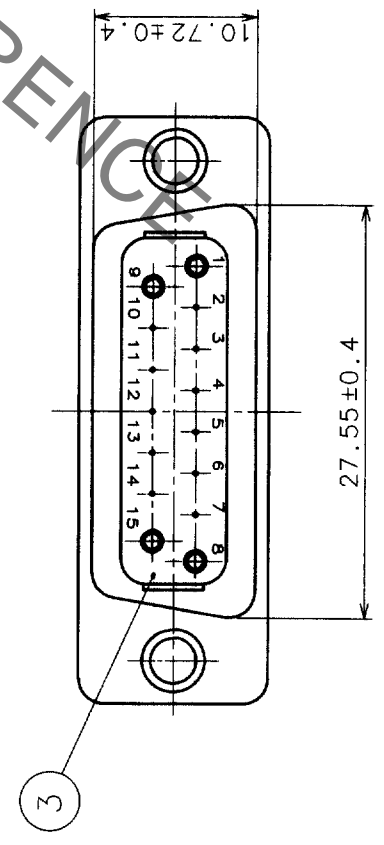
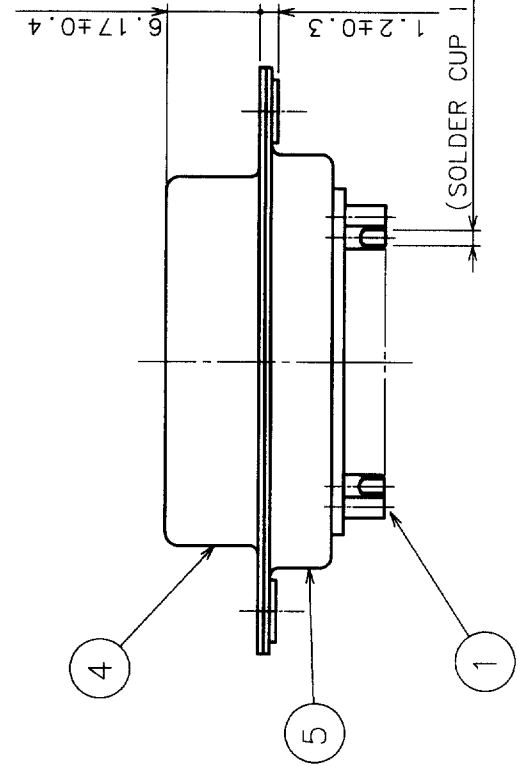
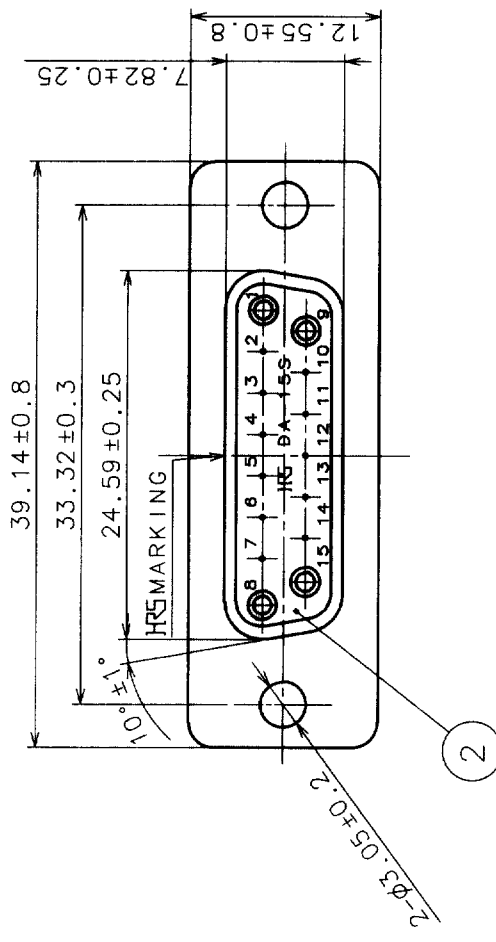
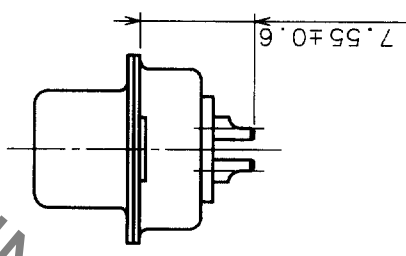
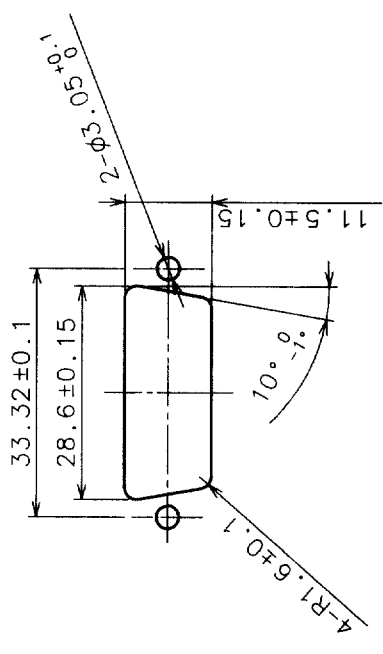


Aug.1.2022 Copyright 2022 HIROSE ELECTRIC CO., LTD. All Rights Reserved.  
 In case of consideration for using Automotive equipment / device which demand high reliability, kindly contact our sales winglow correspondents.



PANEL CUTOUT (1:1)



NOTE 1 USE SOLDERING IRON OF 40W MAX.  
 OPERATION PERIOD SHALL BE 4 SEC MAX.

HRS DRAWING FOR REFERENCE

COUNT	DESCRIPTION OF REVISIONS	BY	CHKD	DATE	COUNT	DESCRIPTION OF REVISIONS	BY	CHKD	DATE
△					△				
△					△				
△					△				

NO.	MATERIAL	FINISH, REMARKS	NO.	MATERIAL	FINISH, REMARKS
3	PBT	COLOR: BLACK (UL94V-0)	5	STEEL	NICKEL PLATING
2	PBT	COLOR: BLACK (UL94V-0)	4	STEEL	NICKEL PLATING
1	COPPER ALLOY	GOLD PLATING			

CODE NO. (OLD)	DRAWN	DESIGNED	CHECKED	APPROVED	RELEASED
	M. Shinoyama	M. Shinoyama	M. Shinoyama	M. Shinoyama	
	02.9.13	02.9.13	02.9.13	02.9.13	

DRAWING NO.	EDC3-009504-05	PART NO.	HDAB-15S(05)
SCALE	2 : 1	CODE NO.	CL211-0235-4-05
UNITS	mm		

TO	
Q1	