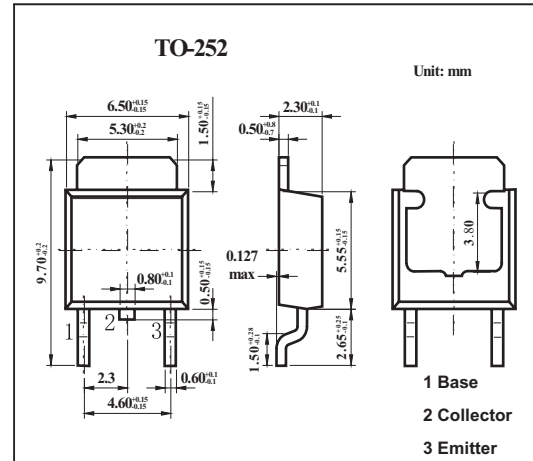


NPN Epitaxial Silicon Transistor

MJD47;MJD50

■ Features

- Load Formed for Surface Mount Application
- Straight Lead

■ Absolute Maximum Ratings $T_a = 25^\circ\text{C}$ unless otherwise noted

Parameter	Symbol	Rating	Unit	
Collector-Emitter Voltage	MJD47	V_{CBO}	350	V
			MJD50	500
Collector-Emitter Voltage	MJD47	V_{CEO}	250	V
			MJD50	400
Emitter-Base Voltage	V_{EBO}	5	V	
Collector Current (DC)	I_C	1	A	
Collector Current (Pulse)	I_{CP}	2	A	
Base Current	I_B	0.6	A	
Collector Dissipation ($T_C=25^\circ\text{C}$)	P_C	15	W	
Collector Dissipation ($T_a=25^\circ\text{C}$)		1.56	W	
Junction Temperature	T_J	150	$^\circ\text{C}$	
Storage Temperature	T_{STG}	-65 to 150	$^\circ\text{C}$	

■ Electrical Characteristics $T_a = 25^\circ\text{C}$ unless otherwise noted

Parameter	Symbol	Testconditions	Min	Typ	Max	Unit	
Collector-Emitter Sustaining Voltage *	MJD47	$V_{CE(sus)}$	$I_C = 30\text{mA}, I_B = 0$	250			V
				MJD50	400		
Collector Cut-off Current	MJD47	I_{CEO}	$V_{CE} = 150\text{V}, I_B = 0$			0.2	mA
				MJD50			0.2
Collector Cut-off Current	MJD47	I_{CES}	$V_{CE} = 350, V_{EB} = 0$			0.1	mA
				MJD50			0.1
Emitter Cut-off Current	I_{EBO}	$V_{BE} = 5\text{V}, I_C = 0$			1	mA	
DC Current Gain *	h_{FE}	$V_{CE} = 10\text{V}, I_C = 0.3\text{A}$	30		150		
			$V_{CE} = 10\text{V}, I_C = 1\text{A}$	10			
Collector-Emitter Saturation Voltage *	$V_{CE(sat)}$	$I_C = 1\text{A}, I_B = 0.2\text{A}$			1	V	
Base-Emitter Saturation Voltage *	$V_{BE(sat)}$	$V_{CE} = 10\text{A}, I_C = 1\text{A}$			1.5	V	
Current Gain Bandwidth Product	f_T	$V_{CE} = 10\text{V}, I_C = 0.2\text{A}$	10			MHz	

*Pulse Test: $PW \leq 300\mu\text{s}$, Duty Cycle $\leq 2\%$