

BC846 SERIES
BC847 SERIES
BC848 SERIES

SURFACE MOUNT
NPN SILICON TRANSISTOR



SOT-23 CASE



www.centrasemi.com

DESCRIPTION:

The CENTRAL SEMICONDUCTOR BC846, BC847 and BC848 Series types are NPN Silicon Transistors manufactured by the epitaxial planar process, epoxy molded in a surface mount package, designed for general purpose switching and amplifier applications.

MARKING CODE: SEE MARKING CODE TABLE ON FOLLOWING PAGE

Note: Reverse Lead Codes Available, Add "R" to the end of the Part # and Marking Code.

MAXIMUM RATINGS: (T_A=25°C)

Collector-Base Voltage
Collector-Emitter Voltage
Emitter-Base Voltage
Continuous Collector Current
Peak Collector Current
Peak Base Current
Power Dissipation
Operating and Storage Junction Temperature
Thermal Resistance

SYMBOL	BC848	BC847	BC846	UNITS
V _{CB0}	30	50	80	V
V _{CEO}	30	45	65	V
V _{EBO}		5.0		V
I _C		100		mA
I _{CM}		200		mA
I _{BM}		200		mA
P _D		350		mW
T _J , T _{stg}		-65 to +150		°C
θ _{JA}		357		°C/W

ELECTRICAL CHARACTERISTICS: (T_A=25°C unless otherwise noted)

SYMBOL	TEST CONDITIONS	MIN	MAX	UNITS
I _{CBO}	V _{CB} =30V		15	nA
I _{CBO}	V _{CB} =30V, T _A =150°C		5.0	μA
I _{EBO}	V _{EB} =5.0V		100	nA
BV _{CB0}	I _C =10μA (BC848)	30		V
BV _{CB0}	I _C =10μA (BC847)	50		V
BV _{CB0}	I _C =10μA (BC846)	80		V
BV _{CEO}	I _C =10mA (BC848)	30		V
BV _{CEO}	I _C =10mA (BC847)	45		V
BV _{CEO}	I _C =10mA (BC846)	65		V
BV _{EBO}	I _E =10μA	5.0		V
V _{CE(SAT)}	I _C =10mA, I _B =0.5mA		0.25	V
V _{CE(SAT)}	I _C =100mA, I _B =5.0mA		0.60	V
V _{BE(ON)}	I _C =2.0mA, V _{CE} =5.0V	0.58	0.70	V
V _{BE(ON)}	I _C =10mA, V _{CE} =5.0V		0.77	V
f _T	V _{CE} =5.0V, I _C =10mA, f=100MHz	100		MHz
NF	V _{CE} =5.0V, I _C =200μA, R _S =2.0KΩ, f=1.0KHz, BW=200Hz		10	dB

	TEST CONDITIONS	BC846A		BC846B		BC847C	
		MIN	MAX	MIN	MAX	MIN	MAX
h _{FE}	V _{CE} =5.0V, I _C =2.0mA	110	220	200	450	420	800

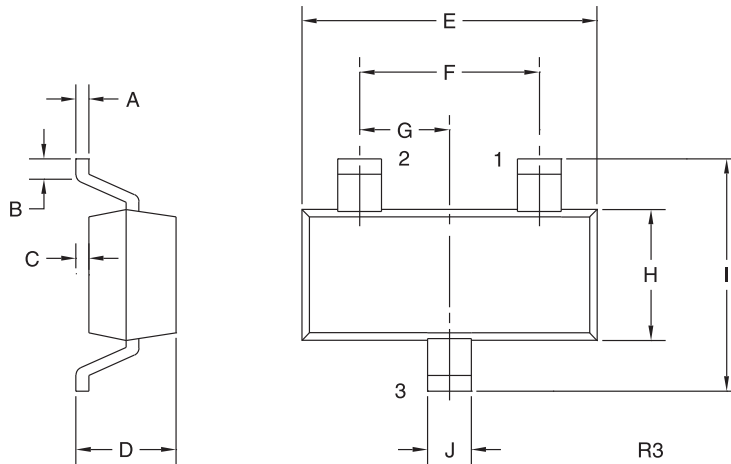
R1 (20-November 2009)

BC846 SERIES
BC847 SERIES
BC848 SERIES



**SURFACE MOUNT
NPN SILICON TRANSISTOR**

SOT-23 CASE - MECHANICAL OUTLINE



LEAD CODE:

STANDARD	*REVERSE
1) BASE	1) EMITTER
2) EMITTER	2) BASE
3) COLLECTOR	3) COLLECTOR

DEVICE	MARKING CODE
BC846A	1A
BC846B	1B
BC847A	1E
BC847B	1F
BC847C	1G
BC848A	1J
BC848B	1K
BC848C	1L

SYMBOL	DIMENSIONS			
	INCHES		MILLIMETERS	
	MIN	MAX	MIN	MAX
A	0.003	0.007	0.08	0.18
B	0.006	-	0.15	-
C	-	0.005	-	0.13
D	0.035	0.043	0.89	1.09
E	0.110	0.120	2.80	3.05
F	0.075		1.90	
G	0.037		0.95	
H	0.047	0.055	1.19	1.40
I	0.083	0.098	2.10	2.49
J	0.014	0.020	0.35	0.50

SOT-23 (REV: R3)

* Reverse Lead Codes Available, Add "R" to the end of the Part # and Marking Code.

R1 (20-November 2009)

OUTSTANDING SUPPORT AND SUPERIOR SERVICES



PRODUCT SUPPORT

Central's operations team provides the highest level of support to insure product is delivered on-time.

- Supply management (Customer portals)
- Inventory bonding
- Consolidated shipping options
- Custom bar coding for shipments
- Custom product packing

DESIGNER SUPPORT/SERVICES

Central's applications engineering team is ready to discuss your design challenges. Just ask.

- Free quick ship samples (2nd day air)
- Online technical data and parametric search
- SPICE models
- Custom electrical curves
- Environmental regulation compliance
- Customer specific screening
- Up-screening capabilities
- Special wafer diffusions
- PbSn plating options
- Package details
- Application notes
- Application and design sample kits
- Custom product and package development

REQUESTING PRODUCT PLATING

1. If requesting Tin/Lead plated devices, add the suffix "TIN/LEAD" to the part number when ordering (example: 2N2222A TIN/LEAD).
2. If requesting Lead (Pb) Free plated devices, add the suffix "PBFREE" to the part number when ordering (example: 2N2222A PBFREE).

CONTACT US

Corporate Headquarters & Customer Support Team

Central Semiconductor Corp.
145 Adams Avenue
Hauppauge, NY 11788 USA
Main Tel: (631) 435-1110
Main Fax: (631) 435-1824
Support Team Fax: (631) 435-3388
www.centrasemi.com

Worldwide Field Representatives:
www.centrasemi.com/wwreps

Worldwide Distributors:
www.centrasemi.com/wwdistributors

For the latest version of Central Semiconductor's **LIMITATIONS AND DAMAGES DISCLAIMER**, which is part of Central's Standard Terms and Conditions of sale, visit: www.centrasemi.com/terms