



LM309K

VOLTAGE REGULATORS

GENERAL DESCRIPTION

The LM309K is complete 5V regulator fabricated on a single silicon chip.

The available output current is greater than 1A.

He is designed for local regulation on digital logic cards, eliminating the distribution problems associated with single-point regulation. The devices are available in the TO3 power package.

The regulators are essentially blow-out proof. Current limiting is included to limit the peak output current to a safe value. In addition, thermal shutdown is provided to keep the IC from overheating. If internal dissipation becomes too great, the regulator will shut down to prevent excessive heating.

Considerable effort was expended to make these devices easy to use and minimize the number of external components. It is not necessary to bypass the output, although this does improve transient response somewhat. Input bypassing is needed, however, if the regulator is located very far from the filter capacitor of the power supply. Stability is also achieved by methods that provide very good rejection of load or line transients as are usually seen with TTL logic.

Compliance to RoHS.

ABSOLUTE MAXIMUM RATINGS

Ratings	Value	Unit
Input Voltage	35	V
Output Current	1	A
Power Dissipation	Internally Limited	-
Operating Junction Temperature Range	0° to 125	°C
Storage Temperature Range	-65° to 150	°C

LM309K

CHARACTERISTICS (*)

Parameter	Conditions	Min	Typ	Max	Unit
Output Voltage	$T_j = 25^\circ\text{C}$	4.8	5.05	5.2	V
Line Regulation	$T_j = 25^\circ\text{C}$ $7\text{V} \leq V_{\text{IN}} \leq 25\text{V}$	-	4	50	mV
Load Regulation	$T_j = 25^\circ\text{C}$ $5\text{mA} \leq I_{\text{OUT}} \leq 1.5\text{A}$	-	50	100	mV
Output Voltage	$7\text{V} \leq V_{\text{IN}} \leq 25\text{V}$ $5\text{mA} \leq I_{\text{OUT}} \leq I_{\text{MAX}}$ $P < P_{\text{MAX}}$	4.75	-	5.25	V
Quiescent Current	$7\text{V} \leq V_{\text{IN}} \leq 25\text{V}$	-	5.2	10	mA
Quiescent Current Change	$7\text{V} \leq V_{\text{IN}} \leq 25\text{V}$ $5\text{mA} \leq I_{\text{OUT}} \leq I_{\text{MAX}}$	-	-	0.8	mA
Output Noise Voltage	$T_A = 25^\circ\text{C}$ $10\text{Hz} \leq f \leq$	-	40	-	mV
Long Term Stability		-	-	20	mV
Thermal Resistance Junction to case	(**)	-	3	-	$^\circ\text{C/W}$

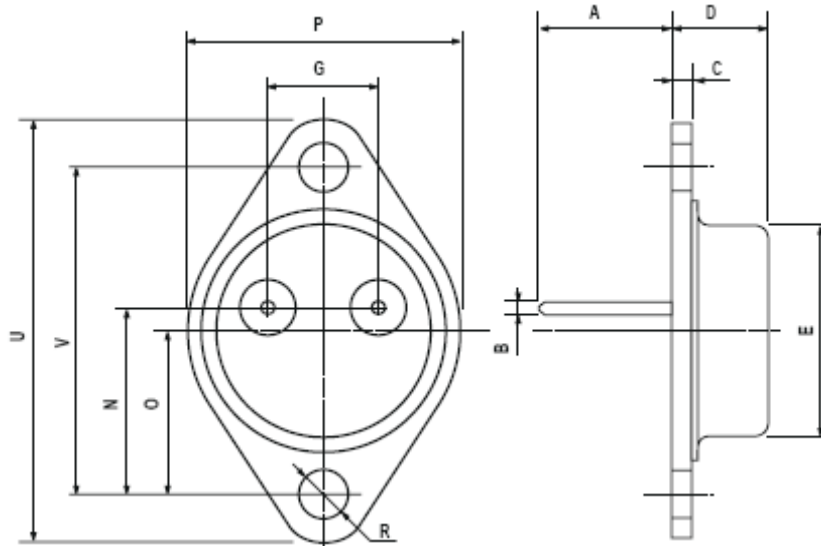
(*) $T_j = 0^\circ$ to 125°C ; $I_{\text{OUT}} = 0.5\text{A}$; $I_{\text{MAX}} = 0.2\text{A}$ and $P_{\text{MAX}} = 2\text{W}$; $I_{\text{MAX}} = 1\text{A}$ and $P_{\text{MAX}} = 20\text{W}$

(**) Without a heat sink, the thermal resistance is approximately 35°C . With a heat sink, the effective thermal resistance can only approach the values specified, depending on the efficiency of the sink.

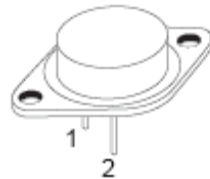
LM309K

MECHANICAL DATA CASE TO-3

DIMENSIONS (mm)		
	min	max
A	11	13.10
B	0.97	1.15
C	1.5	1.65
D	8.32	8.92
F	19	20
G	10.70	11.1
N	16.50	17.20
P	25	26
R	4	4.09
U	38.50	39.30
V	30	30.30



Pin 1 :	Input
Pin 2 :	Output
Case :	GND



Revised September 2012

Information furnished is believed to be accurate and reliable. However, Comset Semiconductors assumes no responsibility for the consequences of use of such information nor for any infringement of patents or other rights of third parties which may result from its use. Data are subject to change without notice. Comset Semiconductors makes no warranty, representation or guarantee regarding the suitability of its products for any particular purpose, nor does Comset Semiconductors assume any liability arising out of the application or use of any product and specifically disclaims any and all liability, including without limitation consequential or incidental damages. Comset Semiconductors' products are not authorized for use as critical components in life support devices or systems.