

March 1997

CMOS Octal Latching Inverting Bus Driver

Features

- Full 8-Bit Parallel Latching Buffer
- Bipolar 8283 Compatible
- Three-State Inverting Outputs
- Propagation Delay 25ns Max
- Gated Inputs
 - Reduce Operating Power
 - Eliminate the Need for Pull-Up Resistors
- Single 5V Power Supply
- Low Power Operation
 - ICCSB 10mA
- Operating Temperature Ranges
 - C82C83H 0°C to +70°C
 - I82C83H -40°C to +85°C
 - M82C83H -55°C to +125°C

Description

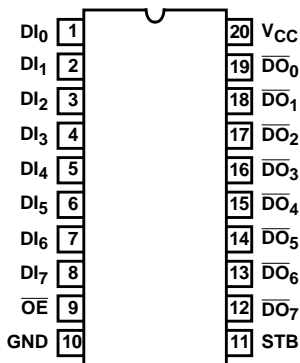
The Intersil 82C83H is a high performance CMOS Octal Latching Buffer manufactured using a self-aligned silicon gate CMOS process (Scaled SAJI IV). The 82C83H provides an 8-bit parallel latch/buffer in a 20 lead pin package. The active high strobe (STB) input allows transparent transfer of data and latches data on the negative transition of this signal. The active low output enable (OE) permits simple interface to microprocessor systems. The 82C83H provides inverted data at the outputs.

Ordering Information

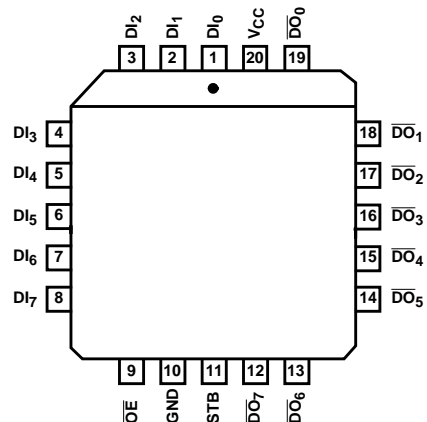
PART NO.	PACKAGE	TEMP RANGE	PKG. NO
CP82C83H	20 Ld PDIP	0°C to +70°C	E20.3
IP82C83H		-40°C to +85°C	E20.3
CS82C83H	20 Ld PLCC	0°C to +70°C	N20.35
IS82C83H		-40°C to +85°C	N20.35
CD82C83H	20 Ld CERDIP	0°C to +70°C	F20.3
ID82C83H		-40°C to +85°C	F20.3
MD82C83H/B		0°C to +70°C	F20.3
8406702RA		SMD#	-55°C to +125°C
MR82C83H/B	20 Pad CLCC	-55°C to +125°C	J20.A
84067022A	SMD#	-55°C to +125°C	J20.A

Pinouts

82C83H (PDIP, CERDIP)
TOP VIEW



82C83H (PLCC, CLCC)
TOP VIEW



TRUTH TABLE

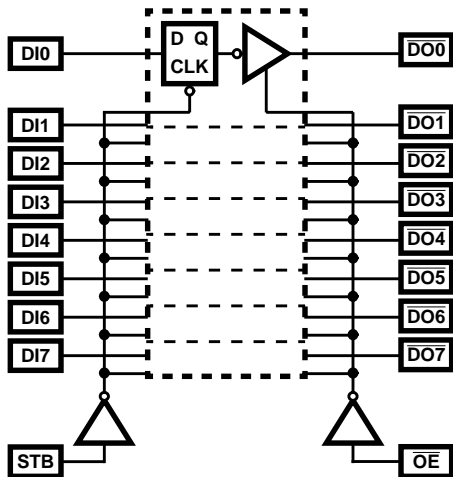
STB	OE	DI	DO
X	H	X	HI-Z
H	L	L	H
H	L	H	L
↓	L	X	†

H = Logic One
L = Logic Zero
X = Don't Care
HI-Z = High Impedance
↓ = Negative Transition
† = Latched to Value of Last Data

PIN NAMES

PIN	DESCRIPTION
DI ₀ - DI ₇	Data Input Pins
DO ₀ - DO ₇	Data Output Pins
STB	Active High Strobe
OE	Active Low Output Enable

Functional Diagram



Gated Inputs

During normal system operation of a latch, signals on the bus at the device inputs will become high impedance or make transitions unrelated to the operation of the latch. These unrelated input transitions switch the input circuitry and typically cause an increase in power dissipation in CMOS devices by creating a low resistance path between V_{CC} and GND when the signal is at or near the input switching threshold. Additionally, if the driving signal becomes high impedance ("float" condition), it could create an indeterminate logic state at the inputs and cause a disruption in device operation.

The Intersil 82C8X series of bus drivers eliminates these conditions by turning off data inputs when data is latched (\overline{STB} = logic zero for the 82C82/83H) and when the device is disabled (OE = logic one for the 82C86H/87H). These gated inputs disconnect the input circuitry from the V_{CC} and ground power supply pins by turning off the upper P-channel and lower N-channel (See Figures 1 and 2). No current flow from V_{CC} to GND occurs during input transitions and invalid logic states from floating inputs are not transmitted. The next stage is held to a valid logic level internal to the device.

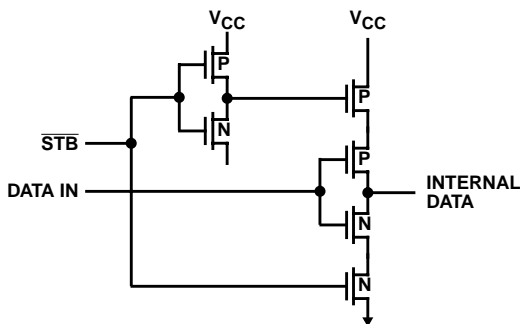


FIGURE 1. 82C82/83H

D.C. input voltage levels can also cause an increase in ICC if these input levels approach the minimum V_{IH} or maximum V_{IL} conditions. This is due to the operation of the input circuitry in its linear operating region (partially conducting

state). The 82C8X series gated inputs mean that this condition will occur only during the time the device is in the transparent mode (\overline{STB} = logic one). ICC remains below the maximum ICC standby specification of $10\mu A$ during the time inputs are disabled, thereby greatly reducing the average power dissipation of the 82C8X series devices.

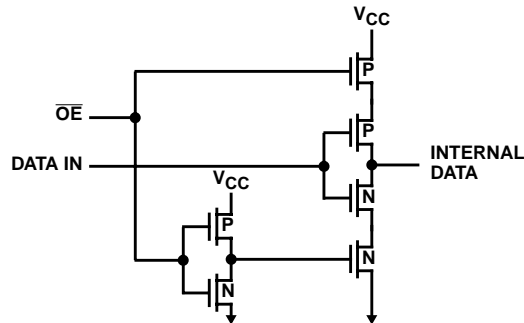


FIGURE 2. 82C86H/87H GATED INPUTS

Decoupling Capacitors

The transient current required to charge and discharge the 300pF load capacitance specified in the 82C83H data sheet is determined by

$$I = C_L (dv/dt)$$

Assuming that all outputs change state at the same time and that dv/dt is constant;

$$I = C_L \frac{(V_{CC} \times 80 \text{ percent})}{t_R/t_F} \tag{EQ. 1}$$

where $t_R = 20ns$, $V_{CC} = 5.0V$, $C_L = 300pF$ on each eight outputs.

$$I = (8 \times 300 \times 10^{-12}) \times (5.0V \times 0.8)/(20 \times 10^{-9}) = 480mA$$

This current spike may cause a large negative voltage spike on V_{CC} which could cause improper operation of the device. To filter out this noise, it is recommended that a $0.1\mu F$ ceramic disc capacitor be placed between V_{CC} and GND at each device, with placement being as near to the device as possible.

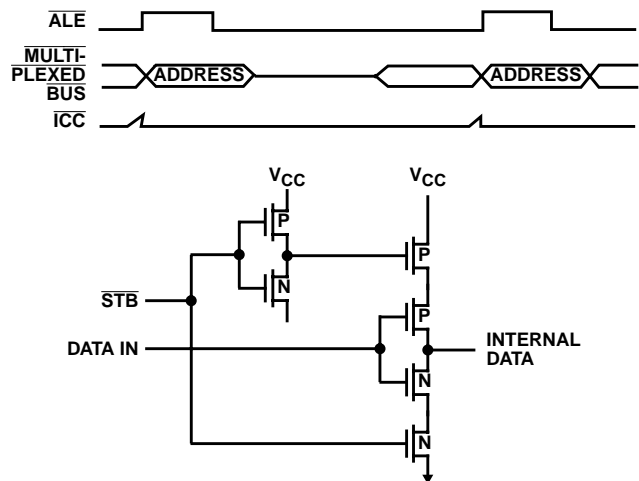


FIGURE 3. SYSTEM EFFECTS OF GATED INPUTS

82C83H

Absolute Maximum Ratings

Supply Voltage +8.0V
 Input, Output or I/O Voltage GND 0.5V to $V_{CC} + 0.5V$
 ESD Classification Class 1

Operating Conditions

Operating Voltage Range +4.5V to +5.5V
 Operating Temperature Range
 C82C83H 0°C to +70°C
 I82C83H -40°C to +85°C
 M82C83H -55°C to +125°C

Thermal Information

Thermal Resistance (Typical)	θ_{JA} °C/W	θ_{JC} °C/W
CERDIP Package	70	16
CLCC Package	80	20
PDIP Package	75	N/A
PLCC Package	75	N/A
Storage Temperature Range	-65°C to +150°C	
Max Junction Temperature Ceramic Package	+175°C	
Max Junction Temperature Plastic Package	+150°C	
Lead Temperature (Soldering 10s) (PLCC - Lead Tips Only)	+300°C	

Die Characteristics

Gate Count 265 Gates

CAUTION: Stresses above those listed in "Absolute Maximum Ratings" may cause permanent damage to the device. This is a stress only rating and operation of the device at these or any other conditions above those indicated in the operational sections of this specification is not implied.

DC Electrical Specifications $V_{CC} = 5.0V \pm 10\%$; $T_A = 0^\circ C$ to $+70^\circ C$ (C82C83H);

$T_A = -40^\circ C$ to $+85^\circ C$ (I82C83H);

$T_A = -55^\circ C$ to $+125^\circ C$ (M82C83H)

SYMBOL	PARAMETER	MIN	MAX	UNITS	TEST CONDITIONS
V_{IH}	Logical One Input Voltage	2.0 2.2	-	V	C82C83H, I82C83H, M82C83H, (Note 1)
V_{IL}	Logical Zero Input Voltage		0.8	V	
V_{OH}	Logical One Output Voltage	3.0 $V_{CC} - 0.4V$	-	V	$I_{OH} = -8mA$, $I_{OH} = -100mA$, $\overline{OE} = GND$
V_{OL}	Logical Zero Output Voltage		0.45	V	$I_{OL} = 20mA$, $\overline{OE} = GND$
I_I	Input Leakage Current	-10	10	μA	$V_{IN} = GND$ or V_{CC} , DIP Pins 1-9,11
I_O	Output Leakage Current	-10	10	μA	$V_O = GND$ or $\overline{OE} \geq V_{CC} - 0.5V$ DIP Pins 12-19
ICCSB	Standby Power Supply Current	-	10	μA	$V_{IN} = V_{CC}$ or GND $V_{CC} = 5.5V$ Outputs Open
IC COP	Operating Power Supply Current	-	1	mA/ MHz	$T_A = +25^\circ C$, $V_{CC} = 5V$, Typical (See Note 2)

NOTES:

- V_{IH} is measured by applying a pulse of magnitude = V_{IHMIN} to one data Input at a time and checking the corresponding device output for a valid logical 1 - during valid input high time. Control pins (STB, \overline{CE}) are tested separately with all device data input pins at $V_{CC} - 0.4V$.
- Typical ICCOP = 1 mA/MHz of STB cycle time. (Example: 5MHz μP , ALE = 1.25MHz, ICCOP = 1.25mA).

Capacitance $T_A = +25^\circ C$

SYMBOL	PARAMETER	TYPICAL	UNITS	TEST CONDITIONS
C_{IN}	Input Capacitance	13	pF	FREQ = 1MHz, all measurements are referenced to device GND
C_{OUT}	Output Capacitance	20	pF	

82C83H

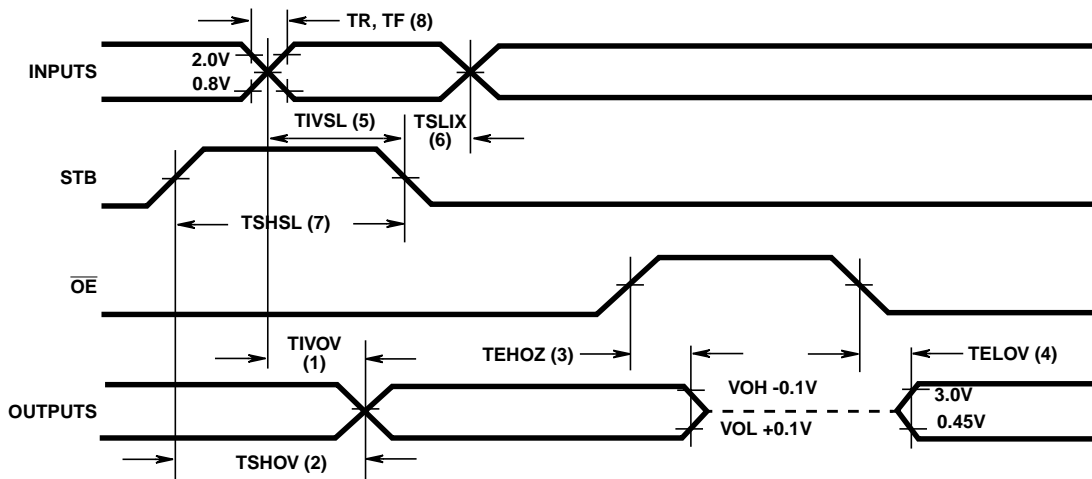
AC Electrical Specifications $V_{CC} = 5.0V \pm 10\%$; $C_L = 300pF$ (Note 1), $FREQ = 1MHz$
 $T_A = 0^\circ C$ to $+70^\circ C$ (C82C83H);
 $T_A = -40^\circ C$ to $+85^\circ C$ (I82C83H);
 $T_A = -55^\circ C$ to $+125^\circ C$ (M82C83H)

SYMBOL	PARAMETER	LIMITS		UNITS	TEST CONDITIONS
		MIN	MAX		
(1) TIVOV	Propagation Delay Input to Output	5	25	ns	See Notes 2, 3
(2) TSHOV	Propagation Delay STB to Output	10	50	ns	See Notes 2, 3
(3) TEHOZ	Output Disable Time	5	22	ns	See Notes 2, 3
(4) TELOV	Output Enable Time	10	45	ns	See Notes 2, 3
(5) TIVSL	Input to STB Set Up Time	0	-	ns	See Notes 2, 3
(6) TSLIX	Input to STB Hold Time	30	-	ns	See Notes 2, 3
(7) TSHSL	STB High Time	15	-	ns	See Notes 2, 3
(8) TR, TF	Input Rise/Fall Times	-	20	ns	See Notes 2, 3

NOTES:

- Output load capacitance is rated 300pF for both ceramic and plastic packages.
- All AC Parameters tested as per test load circuits. Input rise and fall times are driven at 1ns/V.
- Input test signals must switch between $V_{IL} -0.4V$ and $V_{IH} +0.4V$.

Timing Waveforms



All Timing measurements are made at 1.5V unless otherwise noted.

FIGURE 4. TIMING WAVEFORMS

Test Load Circuits

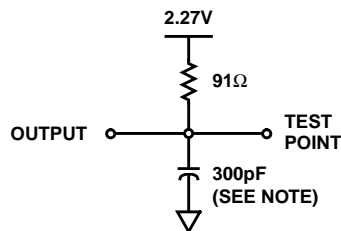


FIGURE 5. TIVOV, TSHOV

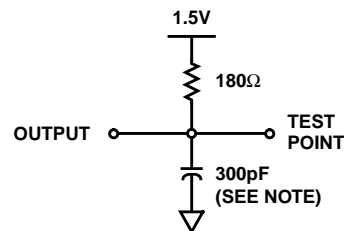


FIGURE 6. TELOV OUTPUT HIGH ENABLE

Test Load Circuits (Continued)

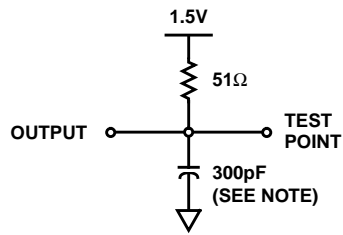


FIGURE 7. TELOV OUTPUT LOW ENABLE

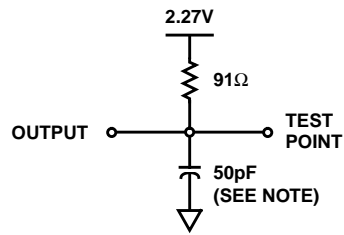


FIGURE 8. TEHOZ OUTPUT LOW/HIGH DISABLE

NOTE: Includes jig and stray capacitance.

Burn-In Circuits

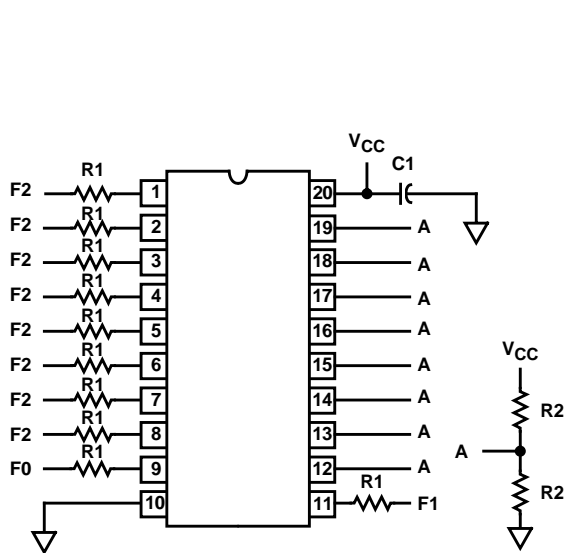


FIGURE 9. MD82C83H CERDIP

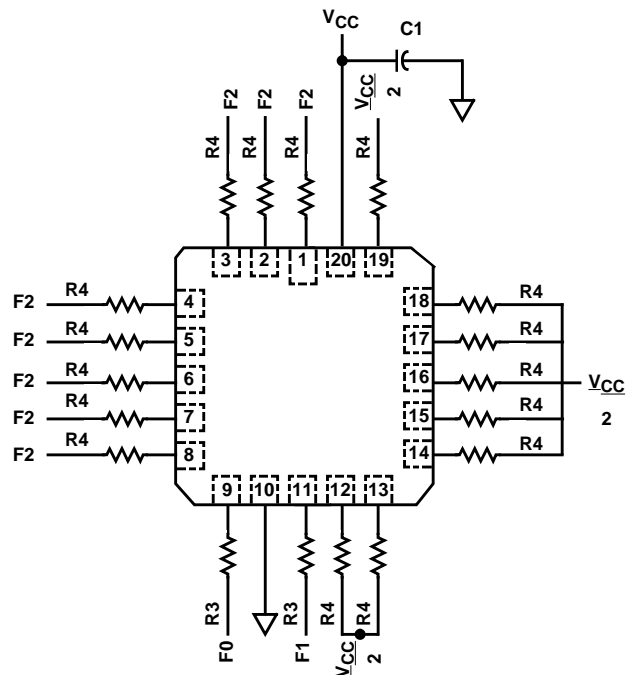


FIGURE 10. MR82C83H CLCC

NOTES:

1. $V_{CC} = 5.5V \pm 0.5V$ GND = 0V
2. $V_{IH} = 4.5V \pm 10\%$
3. $V_{IL} = -0.2$ to $0.4V$
4. $R1 = 47k\Omega \pm 5\%$
5. $R2 = 2.0k\Omega \pm 5\%$
6. $R3 = 1.0k\Omega \pm 5\%$
7. $R4 = 5.0k\Omega \pm 5\%$
8. $C1 = 0.01\mu F$ Minimum
9. $F0 = 100kHz \pm 10\%$
10. $F1 = F0/2$, $F2 = F1/2$, $F3 = F2/2$

82C83H

Die Characteristics

DIE DIMENSIONS:

138.6 x 155.5 x 19 ± 1 mils

METALLIZATION:

Type: Silicon - Aluminum
Thickness: 11kÅ ± 2kÅ

GLASSIVATION:

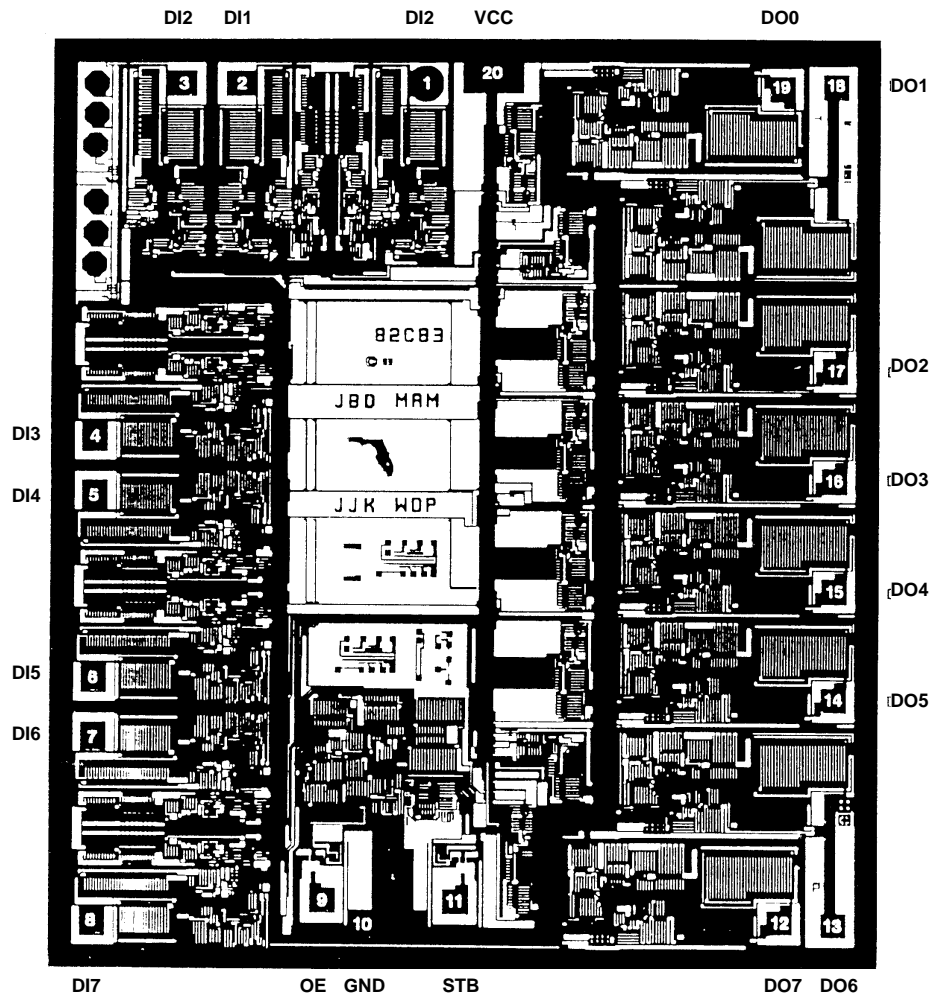
Type: SiO₂
Thickness: 8kÅ ± 1kÅ

WORST CASE CURRENT DENSITY:

2.0 x 10⁵ A/cm²

Metallization Mask Layout

82C83H



All Intersil semiconductor products are manufactured, assembled and tested under **ISO9000** quality systems certification.

Intersil products are sold by description only. Intersil Corporation reserves the right to make changes in circuit design and/or specifications at any time without notice. Accordingly, the reader is cautioned to verify that data sheets are current before placing orders. Information furnished by Intersil is believed to be accurate and reliable. However, no responsibility is assumed by Intersil or its subsidiaries for its use; nor for any infringements of patents or other rights of third parties which may result from its use. No license is granted by implication or otherwise under any patent or patent rights of Intersil or its subsidiaries.

For information regarding Intersil Corporation and its products, see web site <http://www.intersil.com>