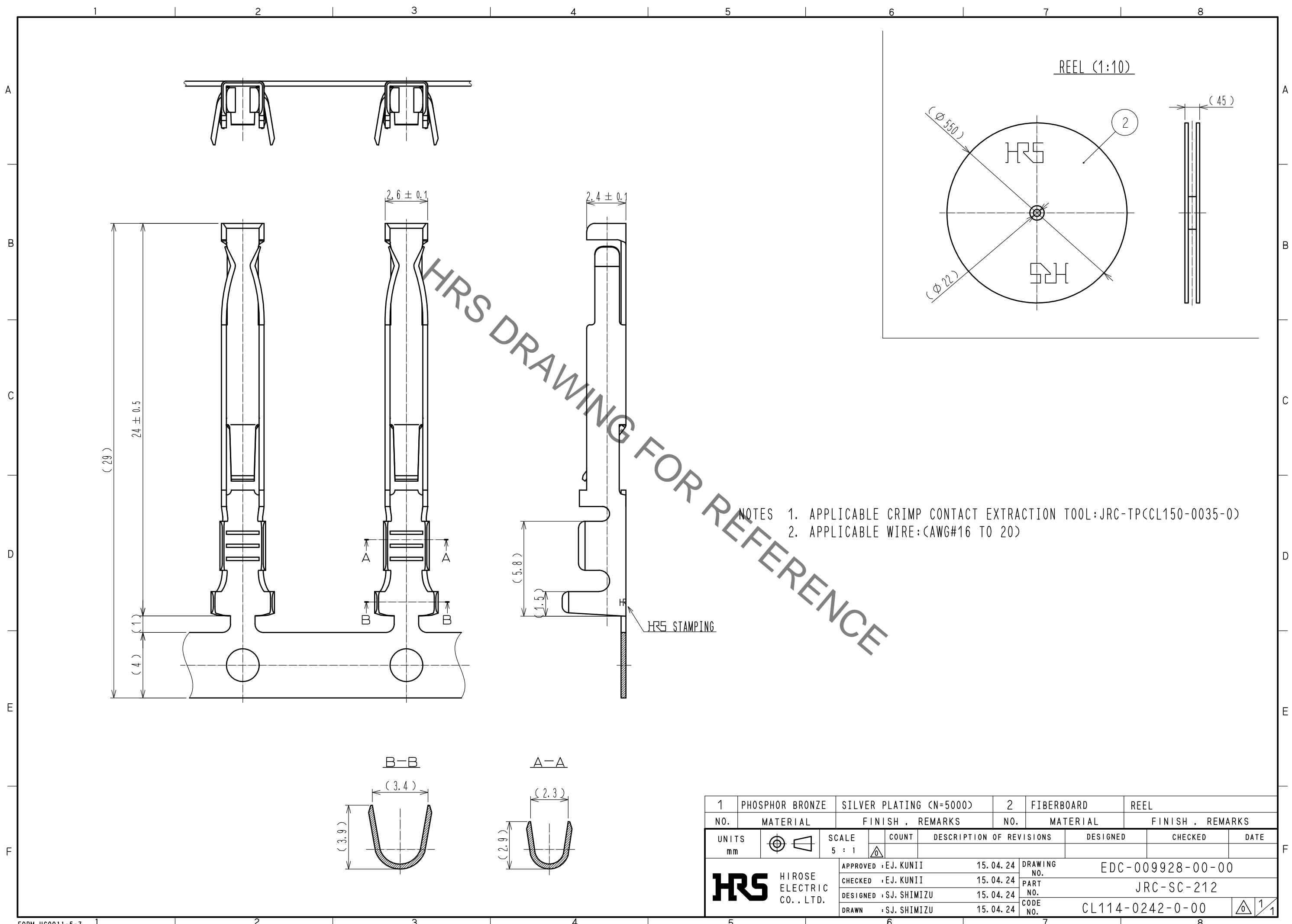


Aug.1.2022 Copyright 2022 HIROSE ELECTRIC CO., LTD. All Rights Reserved.
In case of consideration for using Automotive equipment / device which demand high reliability, kindly contact our sales window correspondents.



NOTES 1. APPLICABLE CRIMP CONTACT EXTRACTION TOOL: JRC-TP(CL150-0035-0)
2. APPLICABLE WIRE: (AWG#16 TO 20)

1	PHOSPHOR BRONZE	SILVER PLATING (N=5000)	2	FIBERBOARD	REEL		
NO.	MATERIAL	FINISH . REMARKS	NO.	MATERIAL	FINISH . REMARKS		
UNITS mm		SCALE 5 : 1	COUNT 	DESCRIPTION OF REVISIONS	DESIGNED	CHECKED	DATE
HRS HIROSE ELECTRIC CO., LTD.		APPROVED : EJ. KUNII	15. 04. 24	DRAWING NO.	EDC-009928-00-00		
		CHECKED : EJ. KUNII	15. 04. 24	PART NO.	JRC-SC-212		
		DESIGNED : SJ. SHIMIZU	15. 04. 24	CODE NO.	CL114-0242-0-00		
		DRAWN : SJ. SHIMIZU	15. 04. 24				