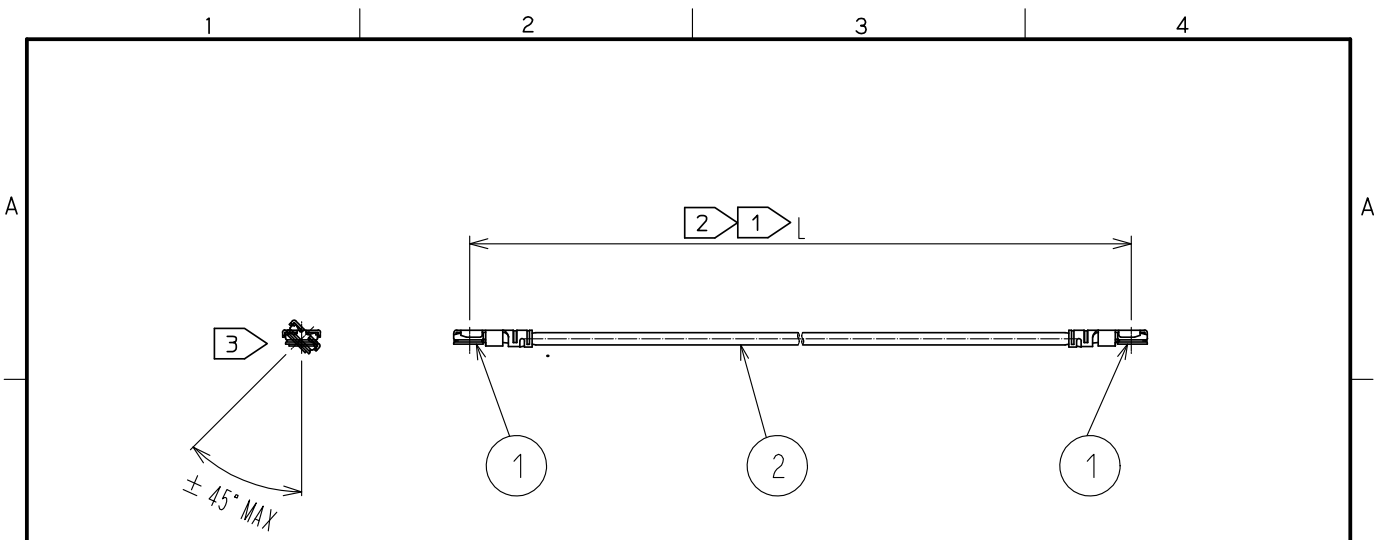


Aug.1.2022 Copyright 2022 HIROSE ELECTRIC CO., LTD. All Rights Reserved.
 In case of consideration for using Automotive equipment / device which demand high reliability, kindly contact our sales window correspondents.



Part No.	Cable color
~044*1~	WHITE
~044*2~	BLACK
~044*4~	BLUE

NOTE ① We indicate the length of the harness on the last of product name. 'L' part.

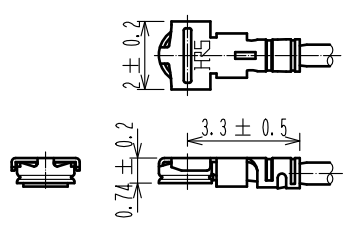
② Tolerance for [L]

Length L [mm]	Tolerance [mm]
$35 \leq L \leq 200$	± 4
$200 < L \leq 500$	± 8
$500 < L \leq 1000$	± 12
$1000 < L$	$\pm 1.5\%$

③ Connector rotation angle is within ± 45 degree from the above image.
 For long length in the case of $L > 150$, the angle is optional.

4. Specifications are subject to change without notice.

【 DIMENSIONS OF CONNECTOR 】



1	X.FL-LP-040	CL331-0700-5	2	0.64 Dia. coaxial cable
NO.	PART NO.	CODE NO.	NO.	PART NO.

HALOGEN FREE

UNITS mm		SCALE FREE	COUNT 	DESCRIPTION OF REVISIONS	DESIGNED	CHECKED	DATE
HIROSE ELECTRIC CO., LTD.		APPROVED	·NK. NINOMIYA	16.07.23	DRAWING NO. PART NO. X.FL-2LP-044**TS-A-L CODE NO.		
		CHECKED	·MT. KANEKO	16.07.23			
		DESIGNED	·MS. MATSUMOTO	16.07.23			
		DRAWN	·MS. MATSUMOTO	16.07.23			
							1/1