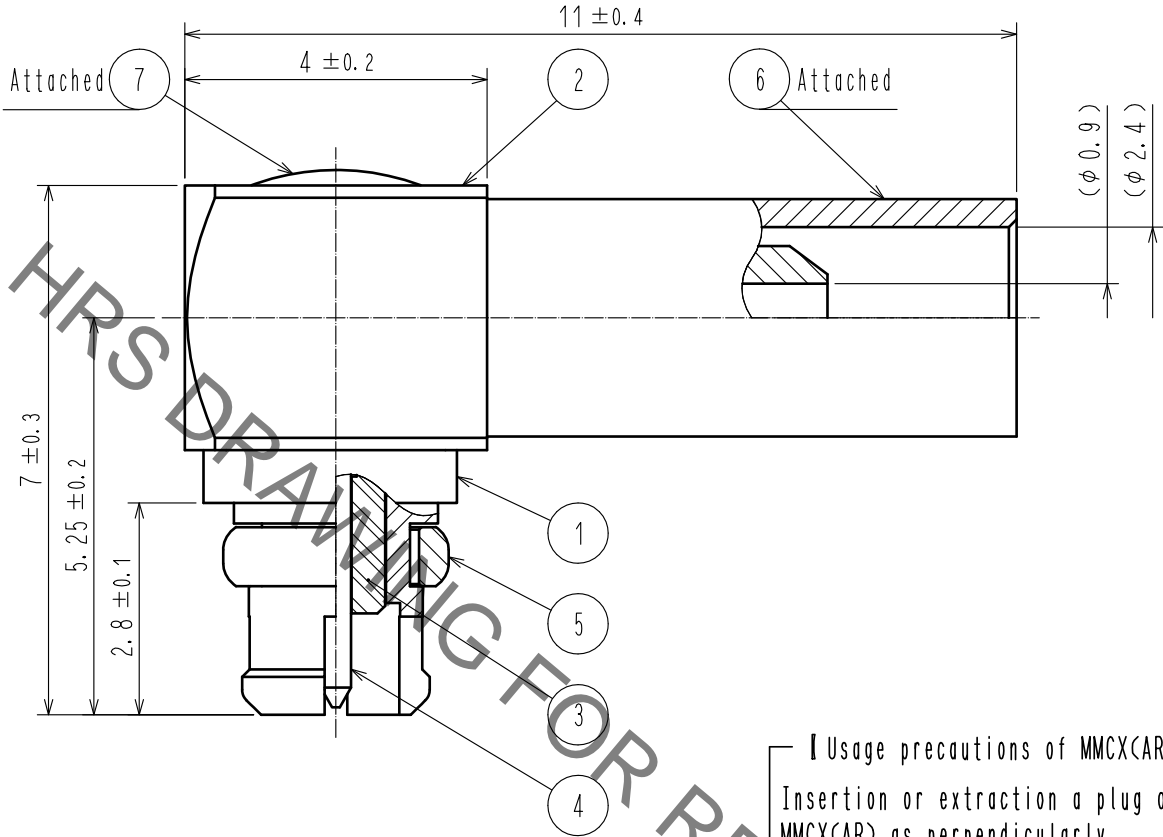


Aug. 1. 2022 Copyright 2022 HIROSE ELECTRIC CO., LTD. All Rights Reserved.
 In case of consideration for using Automotive equipment / device which demand high reliability, kindly contact our sales window correspondents.

【 ASSEMBLE TOOL 】 APPLICABLE OUTER CONDUCTOR CRIMPING TOOL : HT-103/MRF01-J-178
 TOOL FOR PRESS FITTING OF DISK : MMCX-LP/PR-MP



【 Usage precautions of MMCX(AR) 】
 Insertion or extraction a plug of MMCX(AR) as perpendicularly as possible with aligning the plug with a receptacle.
 When aligned insertion or extraction is not performed, it would damage or deform an outer conductor part.

RoHS COMPLIANT

4	PHOSPHOR BRONZE	GOLD PLATING					
3	PTFE		7	BRASS	GOLD PLATING		
2	BRASS	GOLD PLATING	6	COPPER	GOLD PLATING		
1	BRASS	GOLD PLATING	5	BERYLLIUM COPPER	GOLD PLATING		
NO.	MATERIAL	FINISH .	REMARKS	NO.	MATERIAL	FINISH .	REMARKS

UNITS mm		SCALE 10 : 1	COUNT 	DESCRIPTION OF REVISIONS	DESIGNED	CHECKED	DATE
-------------	--	-----------------	-----------	--------------------------	----------	---------	------

HIROSE ELECTRIC CO., LTD.	APPROVED : TO. KATAYAMA	17. 09. 08	DRAWING NO.	EDC-329689-00-00		
	CHECKED : TO. KATAYAMA	17. 09. 08	PART NO.	MMCX(AR)-LP-178B/U		
	DESIGNED : NK. OOSAWA	17. 09. 08	CODE NO.	CL339-0033-3-00		1/1
	DRAWN : NK. OOSAWA	17. 09. 08				