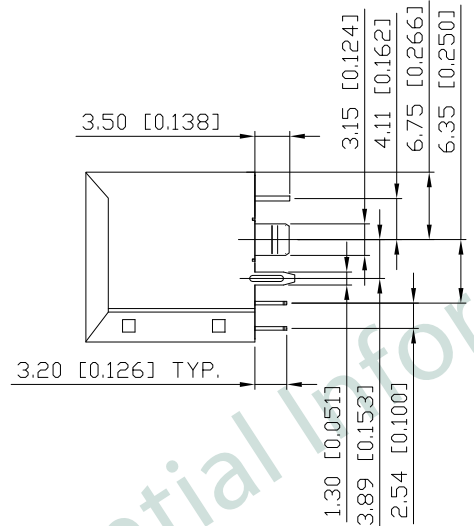
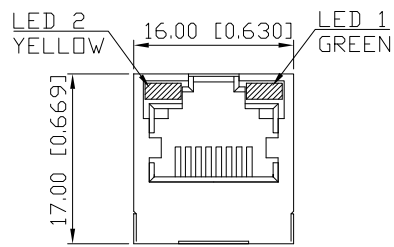
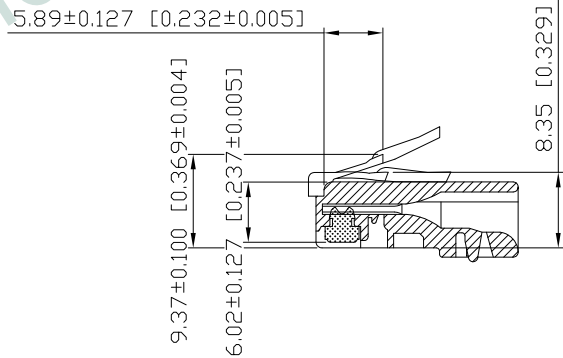


1. MECHANICAL DIMENSIONS : \triangle_B

REV.	DATE	DESCRIPTION
B	Nov. 25, '21	DESIGN CHANGE
A	Apr. 29, '20	1st RELEASE

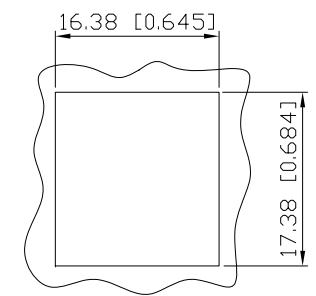


RECOMMENDED PLUG DIMENSION:



NOTES:

- MATERIAL:
HOUSING: HIGH THERMOPLASTIC, UL94V-0, BLACK
CONTACTS: PHOS-BRONZE,
6u" GOLD PLATING ON CONTACT AREA,
NICKEL UNDERPLATING OVERALL
SHIELD: COPPER ALLOY, NICKEL PLATING
- OPERATING TEMPERATURE: -40°C~+85°C
- MATING FORCE: 4 POUNDS MAX.
UNMATING FORCE: 4 POUNDS MAX.
- DURABILITY: 750 MATING CYCLED MIN.
- CAVITY CONFORMS TO FCC RULES
AND REGULATIONS PART 68, SUBPART F.
- UNSPECIFIED TOLERANCE: .XX ±0.25[0.010]
.X ±0.30[0.012]



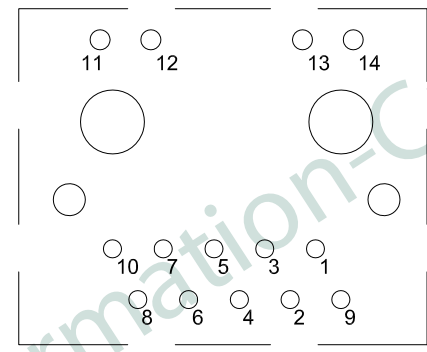
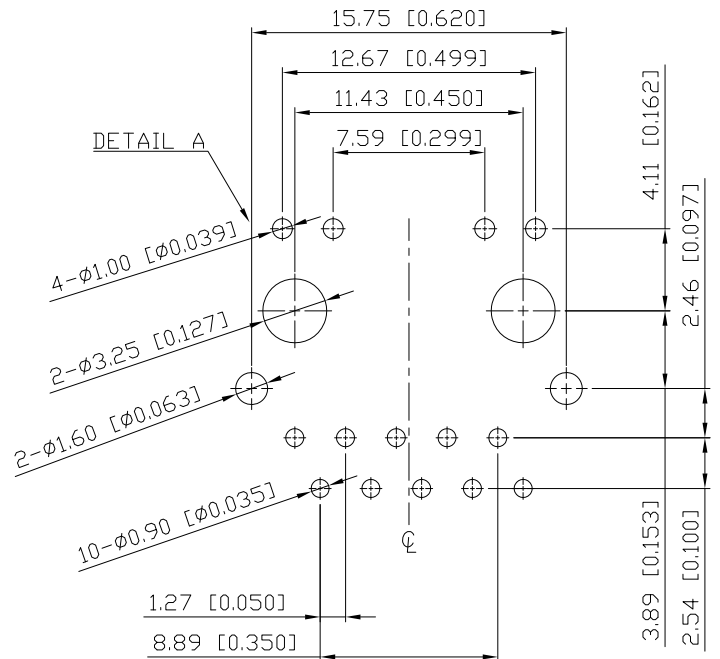
RECOMMENDED
PANEL CUTOUT DIMENSION

PART NO		KPV-01F-1-PC1-389		
TITLE	RJ45, W/ 10/100 TRANSFORMER AND PoE, W/LED, SHIELDED, VERTICAL TYPE			
REV : B				
UNIT	DRAWN	CHKD	DATE	SHEET
mm[inch]	CINDY	VINCENT	Nov. 25, '21	1 of 5

ROHS Compliant

2. PCB LAYOUT :

A
B
C
D
E
F



△

P#	DEFINITION
P1	TD+
P2	TD-
P3	RD+
P4	CT
P5	VC+
P6	RD-
P7	CT
P8	VC-
P9	VC-
P10	VC+
P11	YE-
P12	YE+
P13	GR-
P14	GR+

SUGGESTED PCB LAYOUT
(FRONT VIEW) SCALE 2:1
DIMENSIONAL TOLERANCE: .XX ±0.08[0.003]

KPV-01F-1-PC1-389

PRODUCT SERIES
KPV: VERTICAL TYPE
PoE TYPE

MECHANICAL TYPE
01F: KPV 1 PORT SERIES

LED COLOR OPTION

CIRCUIT TYPE

SPECIAL CODE
9: CUSTOMER SPECIAL REQUEST

SHIELDED TYPE
8: NON-EMI FINGER

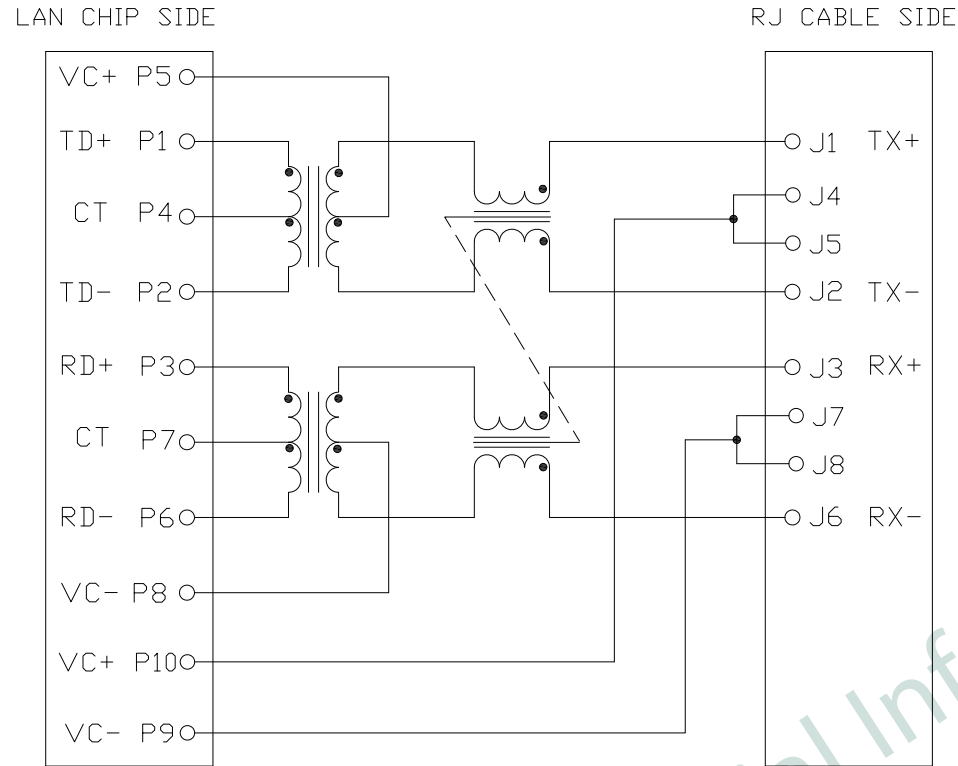
LED POLARITY
3: -+, -+

PART NO KPV-01F-1-PC1-389

TITLE	RJ45, W/ 10/100 TRANSFORMER AND PoE, W/LED, SHIELDED, VERTICAL TYPE			
REV : B				
UNIT	DRAWN	CHKD	DATE	SHEET
mm[inch]	CINDY	VINCENT	Nov. 25, '21	2 of 5

DWG NO KPV-01F-1-PC1-389

3. SCHEMATIC :



4. ELECTRICAL CHARACTERISTICS : Δ_B

TEST NOTES:($25 \pm 5^\circ\text{C}$)

1. TR:
INPUT TO OUTPUT=1:1 \pm 3%
2. DCL: (<100KHz, 100mV, 8mA, DC Bias)
350uH MINIMUM
3. DCR:
EVERY RJ PAIR=1.2 Ω MAXIMUM
4. INSERTION LOSS:
-1.0dB MAXIMUM AT 0.3MHz TO 100MHz
5. RETURN LOSS:
-20dB MINIMUM AT 1MHz TO 30MHz
-15dB MINIMUM AT 30MHz TO 60MHz
-10dB MINIMUM AT 60MHz TO 80MHz
6. CROSS TALK:
-30dB MINIMUM AT 1MHz TO 100MHz
7. CM TO CM MODE REJECTION:
-30dB MINIMUM AT 1MHz TO 100MHz
8. HIPOT:
INPUT(RJ SIDE) TO SHIELDING:
2250 VDC/60SEC
9. WORKING POWER FOR PoE: 30W.



COLOR	VF(V) @20mA		IV(mcd) @20mA	IF(mA)	PEAK WAVE LENGTH λ_P (nm) @20mA
	TYP	MAX	TYP	TYP	TYP
YELLOW	2.2	2.6	15	20	588
GREEN	2.2	2.6	10	20	570

PART NO		KPV-01F-1-PC1-389		
TITLE	RJ45, W/ 10/100 TRANSFORMER AND PoE, W/LED, SHIELDED, VERTICAL TYPE			
REV : B				
UNIT	DRAWN	CHKD	DATE	SHEET
mm[inch]	CINDY	VINCENT	Nov. 25, '21	3 of 5

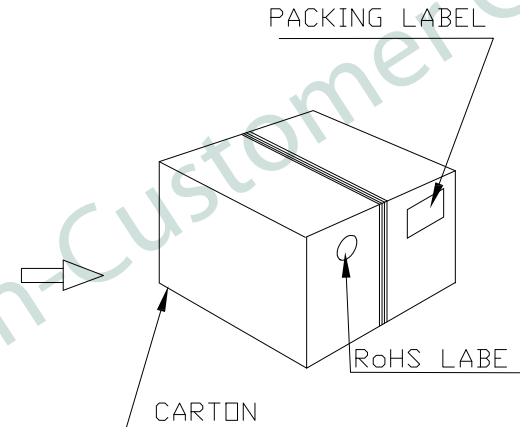
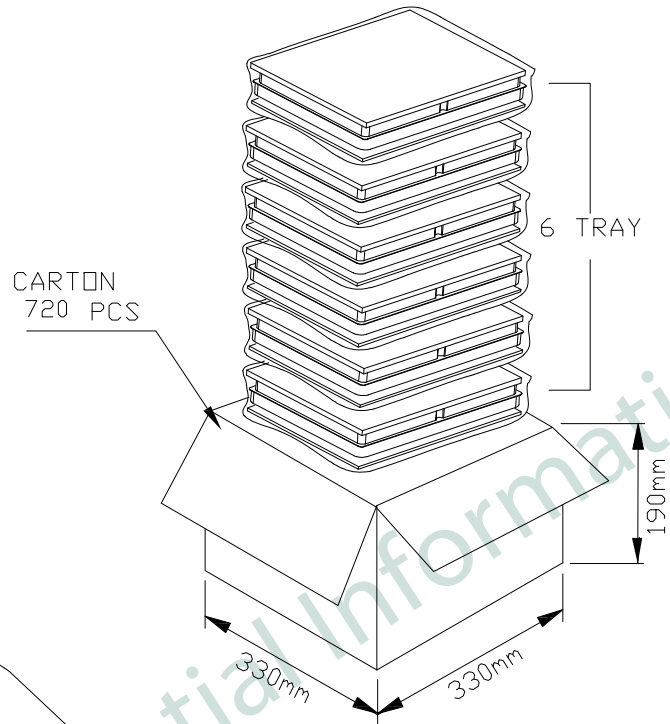
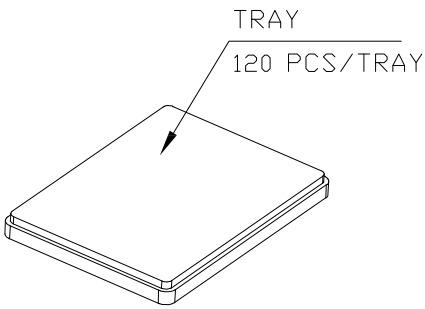
DWG NO KPV-01F-1-PC1-389

※ THIS DRAWING IS A CONTROLLED DOCUMENT ※

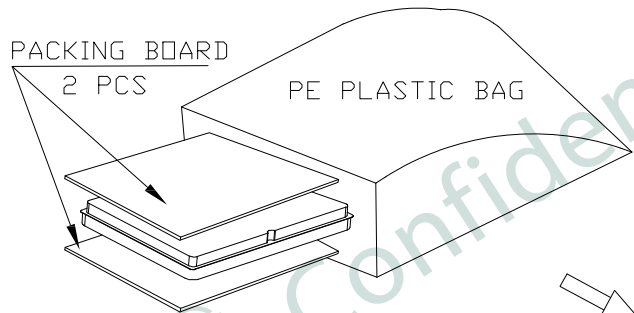
Connected by **KinnexA**

RoHS Compliant

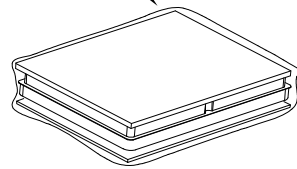
5. PACKING SPECIFICATION:



1 PCS: N.W. -5.6g
 1 CTN: N.W. -4.03KG(720PCS)
 1 CTN: G.W. -5.50KG
 SIZE: 330x330x190(mm)

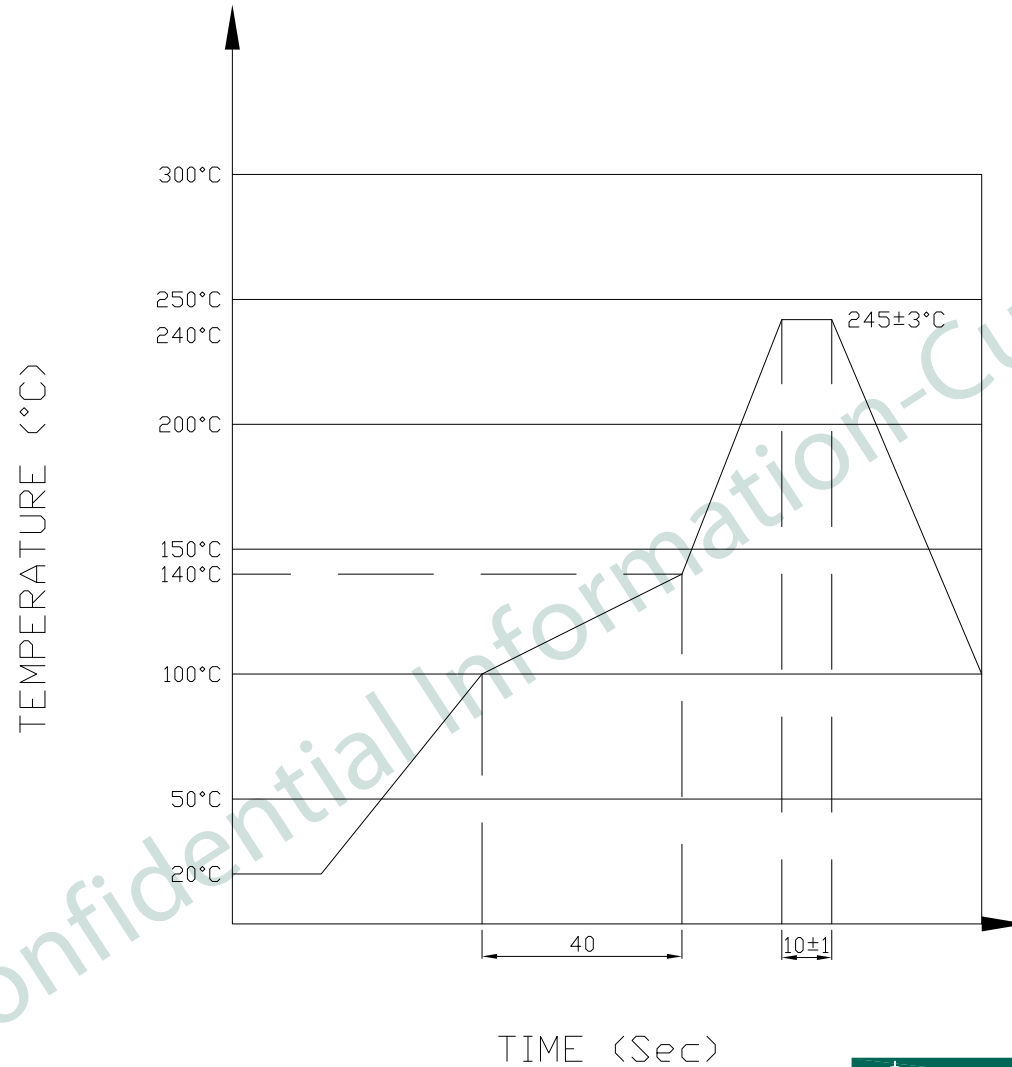


1 TRAY+2 PCS PACKING BOARD
 VACUUM SEALED



PART NO KPV-01F-1-PC1-389				
TITLE	RJ45, W/ 10/100 TRANSFORMER AND PoE, W/LED, SHIELDED, VERTICAL TYPE			
REV : B				
UNIT	DRAWN	CHKD	DATE	SHEET
mm[inch]	CINDY	VINCENT	Nov. 25, '21	4 of 5

6. PROFILE OF WAVE SOLDER : \triangle_B



THE MEASURING POINT FOR THE SPECIFIED TEMPERATURE SHALL BE ON THE SOLDERED PART OF THE LEAD

PART NO		KPV-01F-1-PC1-389		
TITLE	RJ45, W/ 10/100 TRANSFORMER AND PoE, W/LED, SHIELDED, VERTICAL TYPE			
REV : B				
UNIT	DRAWN	CHKD	DATE	SHEET
mm[inch]	CINDY	VINCENT	Nov. 25, '21	5 of 5