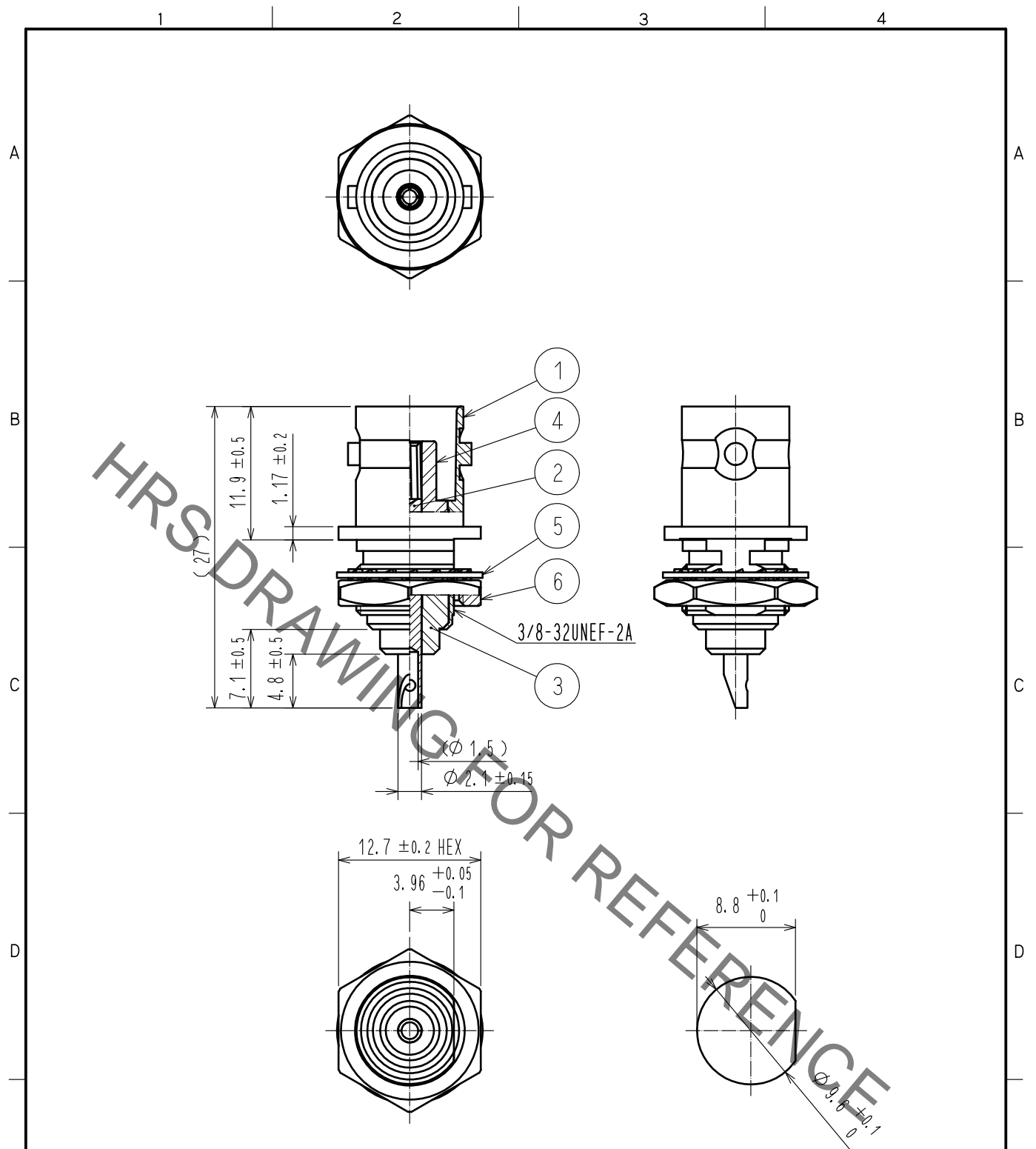


Aug.1.2022 Copyright 2022 HIROSE ELECTRIC CO., LTD. All Rights Reserved.
 In case of consideration for using Automotive equipment / device which demand high reliability, kindly contact our sales window correspondents.



RECOMMENDED PANEL CUTOUT
 (PANEL THICKNESS 2.4~3mm)

3	PTFE		6	BRASS	NICKEL PLATING
2	BERYLLIUM COPPER	GOLD PLATING	5	STEEL	NICKEL PLATING
1	BRASS	NICKEL PLATING	4	PTFE	
NO.	MATERIAL	FINISH . REMARKS	NO.	MATERIAL	FINISH . REMARKS

UNITS mm		SCALE 2 : 1	COUNT 	DESCRIPTION OF REVISIONS	DESIGNED	CHECKED	DATE
HIROSE ELECTRIC CO., LTD.		APPROVED : NK. NINOMIYA 20211019		DRAWING NO. EDC-004104-42-00			
		CHECKED : NK. NINOMIYA 20211019		PART NO. UG-1094/U(42)			
		DESIGNED : MT. KANEKO 20211019		CODE NO. CL0302-0178-0-42			
		DRAWN : NK. OOSHIMA 20211019					1/1