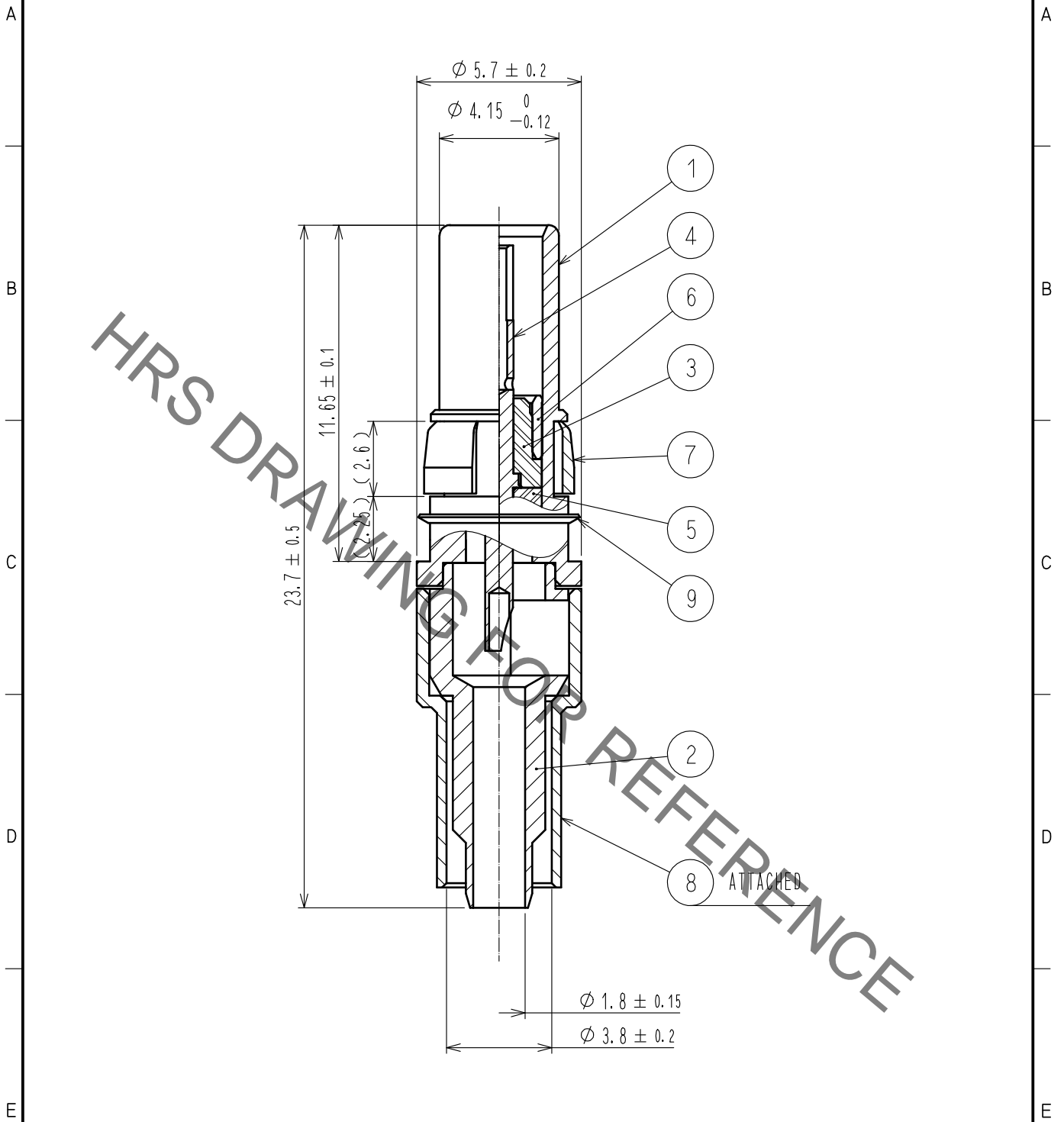


Aug.1.2022 Copyright 2022 HIROSE ELECTRIC CO., LTD. All Rights Reserved.  
 In case of consideration for using Automotive equipment / device which demand high reliability, kindly contact our sales window correspondents.

△ Re-Draw

【 Assemble tool 】 For outer conductor crimping : HT303/UM.MSS-T-1(1.5 hole)



5	PTFE			9	PHOSPHOR BRONZE	GOLD PLATING	
4	BERYLLIUM COPPER	GOLD PLATING		8	BRASS	GOLD PLATING	
3	PTFE			7	BERYLLIUM COPPER	NICKEL PLATING	
2	BRASS	GOLD PLATING		6	BRASS	GOLD PLATING	
1	BRASS	GOLD PLATING					
NO.	MATERIAL	FINISH	REMARKS	NO.	MATERIAL	FINISH	REMARKS

UNITS mm		SCALE 5 : 1	COUNT △ 1	DESCRIPTION OF REVISIONS DIS-D-00004950	DESIGNED ST. KISHI	CHECKED TO. KATAYAMA	DATE 20200514
<b>HRS</b> HIROSE ELECTRIC CO., LTD. APPROVED : IJ. MITANI 20060314 CHECKED : KY. SHIMIZU 20060314 DESIGNED : TO. KATAYAMA 20060314 DRAWN : YK. SUGIYAMA 20060313				DRAWING NO. EDC4-133144-40 PART NO. P051-J-1.5-B(40) CODE NO. CL330-0253-2-40			