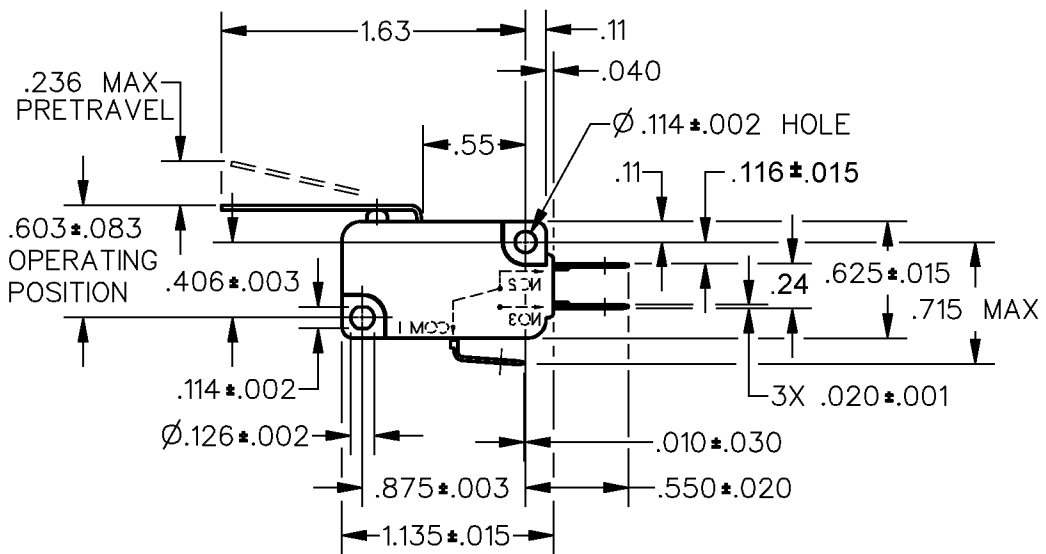
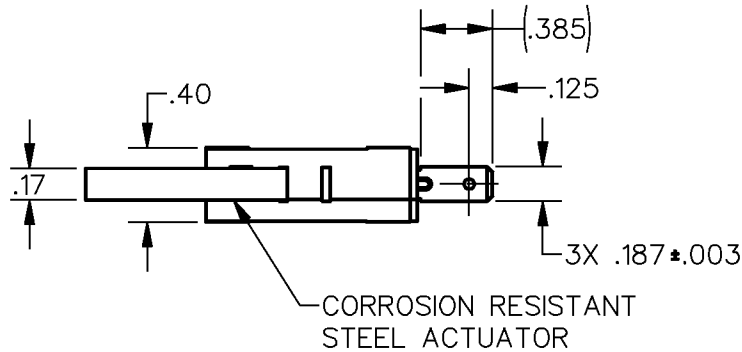


CATALOG LISTING
V7-1B17D8-122
PAGE 1 OF 1
RELEASE NO. PR-23344
REPLACES
M
ISSUE 3



REVISIONS

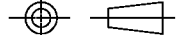
| | | |
|---|-------------|-----------|
| A | REL PR23344 | 30 JAN 12 |
| | DCS | 12 FEB 98 |
| B | 0085964 | 30 JAN 12 |
| | SBH | 30 JAN 12 |

CHECK 30 JAN 12
CHECK 12 FEB 98
CHECK CMH
CHECK DCS

ANSI Y14.5M-1982 APPLIES

THIS DRAWING COVERS A PROPRIETARY ITEM AND IS THE PROPERTY OF MICRO SWITCH, A DIVISION OF HONEYWELL. THIS DRAWING IS NOT TO BE COPIED OR USED WITHOUT THE APPROVAL OF MICRO SWITCH.

THIRD ANGLE PROJECTION



CHARACTERISTICS

OPERATING FORCE— — —43 GRAMS MAX
RELEASE FORCE— — —4 GRAMS MIN
DIFFERENTIAL TRAVEL— — —.053 MAX
OVERTRAVEL— — — — —.118 MIN
RELEASE TRAVEL— — — — —.032 MIN

ELECTRICAL DATA

CONTACT ARRANGEMENT
S P D T

L156 11A 1/3HP 125, 250 OR 277 VAC
1/2A 125 VDC, 1/4A 250 VDC
4A 125 VAC "L"

SCALE NONE DO NOT SCALE PRINT

UNLESS OTHERWISE SPECIFIED TOLERANCES ARE

| | |
|--------------------|-------|
| ONE PLACE (.0) | ±.030 |
| TWO PLACE (.00) | ±.015 |
| THREE PLACE (.000) | ±.005 |
| ANGLES | ± |



WEIGHT

RASTER
DRAWN

30 JAN 98
CHECK DCS