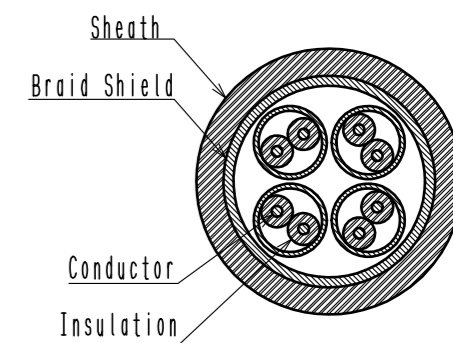


Aug.1.2022 Copyright 2022 HIROSE ELECTRIC CO., LTD. All Rights Reserved.
In case of consideration for using Automotive equipment / device which demand high reliability, kindly contact our sales window correspondents.

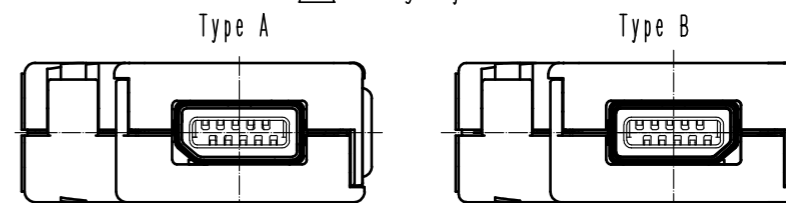
Notes. 1. Recommended cable condition is shown below.
 ⚠ A list of compatible cables is available on the Hirose website.
 When using a non-recommended cable, please contact a Hirose sales representative.
 Refer to the technical specification (ETAD-E3222) for wiring and assembly procedures.

Items	Recommended Condition
Conductor size	AWG # 28-22
Insulation O.D.	φ 1.55 mm MAX.
Braid Shield	Tin plating
Sheath O.D.	φ 6.3 -7.2 mm

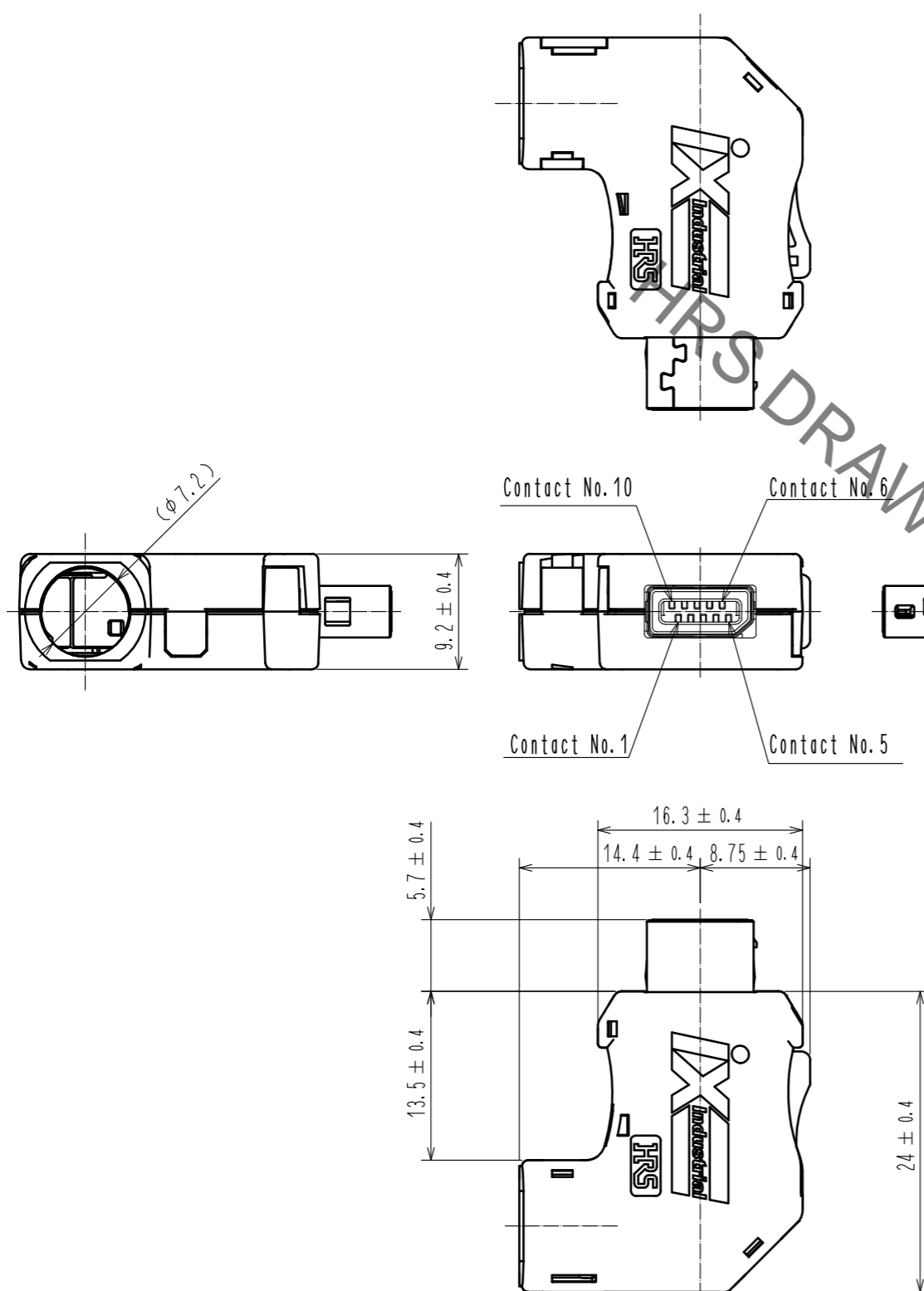


2. This product (Type B) is used for non Ethernet applications like signaling, serial or other industrial bus communication systems. Please use Type A for 10/100 Mbit/s and 1/10 Gbit/s Ethernet communication.

⚠ Mating Key



⚠ Excluding the plug unit, this product is packaged separately by the type of parts. The shield shell is packaged prior to bending. (See next page.) Refer to the technical specification (ETAP-E3224) for packing.

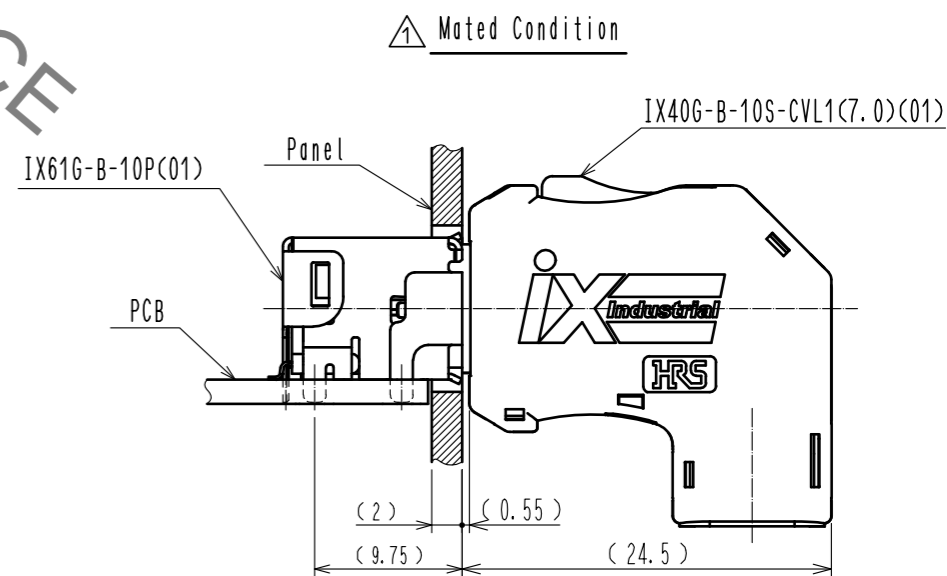
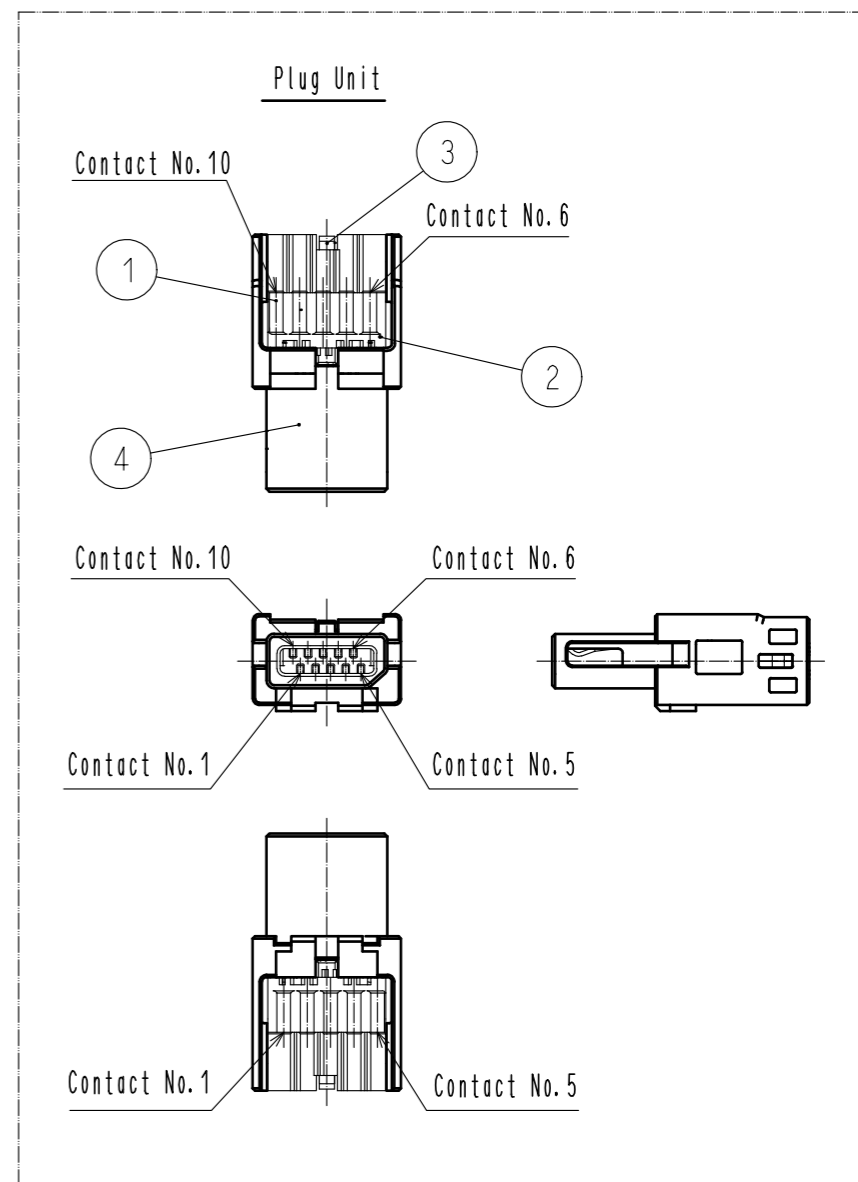
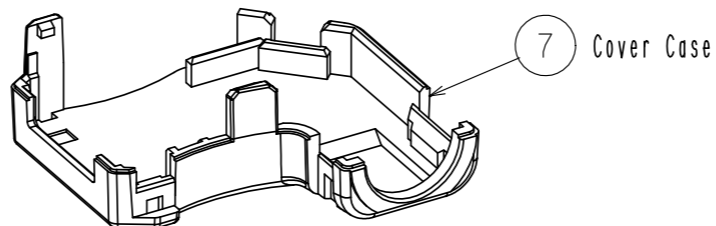
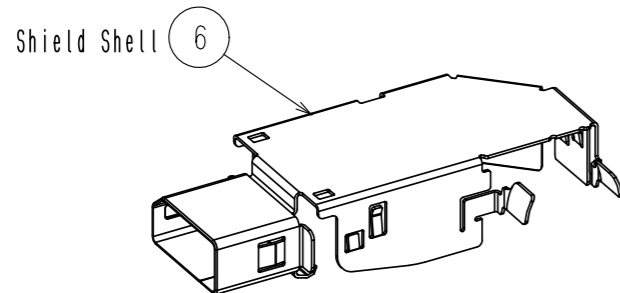
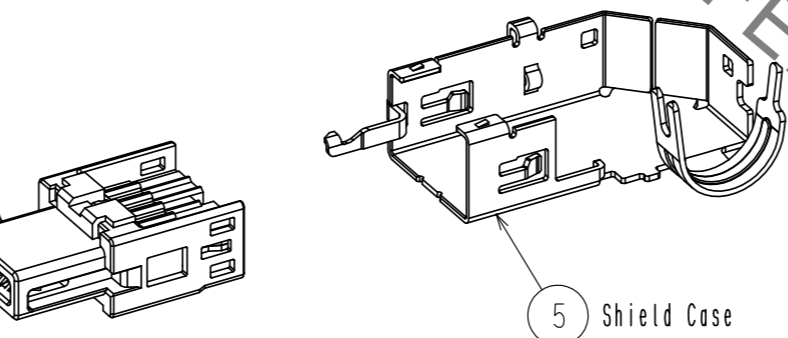
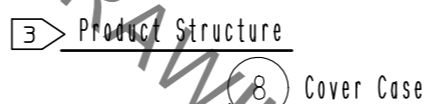
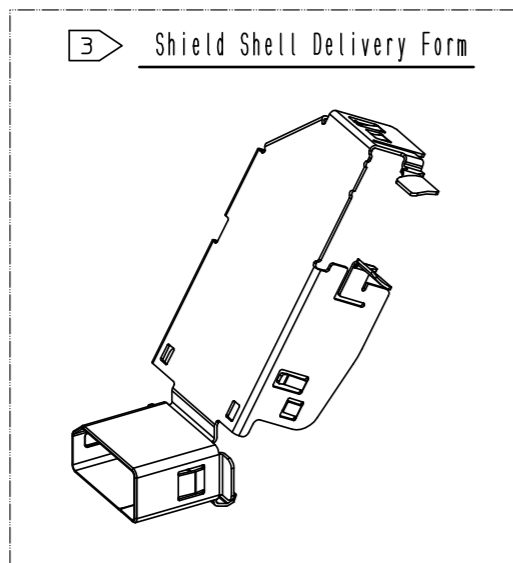


NO.	MATERIAL	FINISH	REMARKS	NO.	MATERIAL	FINISH	REMARKS
3	Stainless Steel			8	PC	Dark gray, UL94V-0	
2	PA	Black, UL94V-0		7	PC	Dark gray, UL94V-0	
1	Copper Alloy	Contact area	Palladium-Nickel 0.75 μm min + Gold 0.05 μm min	6	Stainless Steel	Nickel 0.2 μm min	
		Wiring area	Gold 0.03 μm min	5	Stainless Steel	Nickel 1 μm min	
		Under plating	Nickel 2 μm min	4	PA	Black, UL94V-0	

UNITS	SCALE	COUNT	DESCRIPTION OF REVISIONS	DESIGNED	CHECKED	DATE
mm	2 : 1	6	DIS-E-00006884	MT. YASUDA	KI. KAGOTANI	20210929

APPROVED	CHECKED	DESIGNED	DRAWN	DRAWING NO.	PART NO.	CODE NO.
MN. KENJO	KI. NAGANUMA	MT. YASUDA	MY. KOMUKAI	EDC-129988-01-00	IX40G-B-10S-CVL1(7.0)(01)	CL0251-0076-0-01

Aug.1.2022 Copyright 2022 HIROSE ELECTRIC CO., LTD. All Rights Reserved.
 In case of consideration for using Automotive equipment / device which demand high reliability, kindly contact our sales window correspondents.



HRS	DRAWING NO.	EDC-129988-01-00	
	PART NO.	IX40G-B-10S-CVL1(7.0)(C01)	
	CODE NO.	CL0251-0076-0-01	