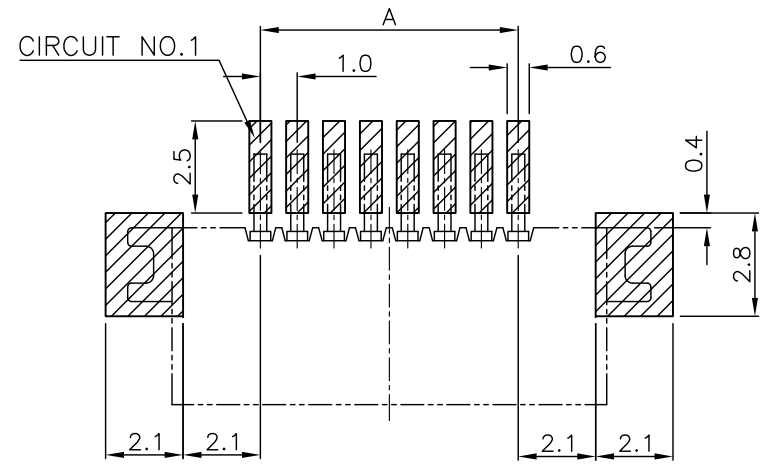
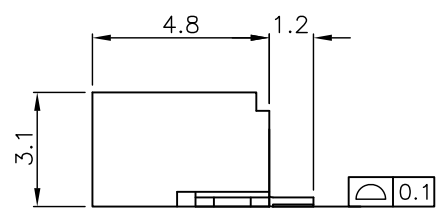
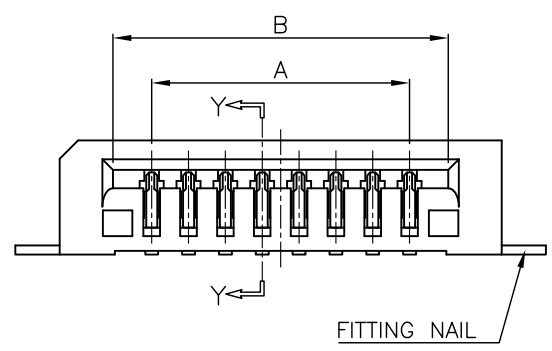
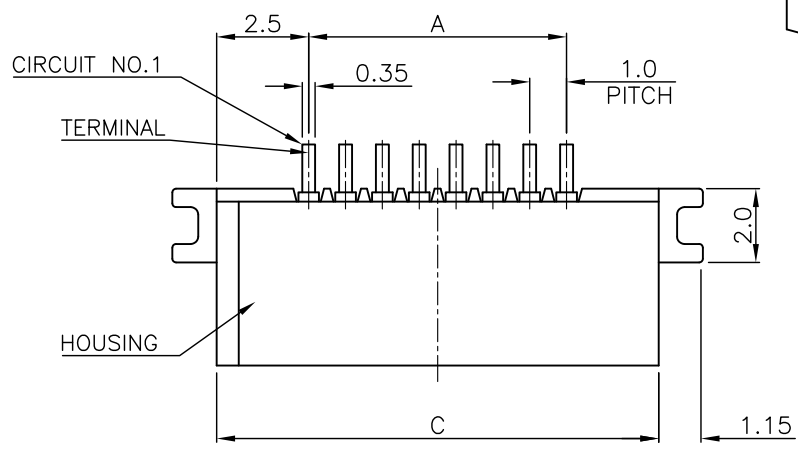


APPLICABLE FPC/FFC  
RECOMMENDED DIMENSION  
THICKNESS 0.3±0.03



RECOMMENDED PCB LAYOUT  
GENERAL TOLERANCE ±0.05



NOTES:

- MATERIAL:
  - HOUSING: THERMOPLASTIC, HIGH TEMP.,UL94V-0.
  - CONTACT: COPPER ALLOY
  - FITTING NAIL: COPPER ALLOY
- FINISH:
  - CONTACT:
    - 1:50u" MIN NICKEL OVERALL,Gold Flash overall
    - N:50u" MIN NICKEL OVERALL,
    - 100u" MIN Matt Tin(Lead-Free) OVERALL.
- SPEC. PLS. REFER TO PS-50687-xxxx-xxx
- PACKAGE PLS. REFER TO 88356-XXXX-TRP

P/N LEGEND

50687-XXX X X-XXX

No of Ckts

Packing

- 0: Tape & Reel
- 1: Tube Package

XXX	COLOR	Halogen Free
001	NATURAL	HF
002	BLACK	HF

PLATING

- 1:GOLD FLASH OVERALL
- N:MATT TIN(LEAD FREE)

CKT	Dim A	Dim B	Dim C
4	3.0	5.1	8.0
5	4.0	6.1	9.0
6	5.0	7.1	10.0
7	6.0	8.1	11.0
8	7.0	9.1	12.0
9	8.0	10.1	13.0
10	9.0	11.1	14.0
11	10.0	12.1	15.0
12	11.0	13.1	16.0
13	12.0	14.1	17.0
14	13.0	15.1	18.0
15	14.0	16.1	19.0
16	15.0	17.1	20.0
17	16.0	18.1	21.0
18	17.0	19.1	22.0
19	18.0	20.1	23.0
20	19.0	21.1	24.0
21	20.0	22.1	25.0
22	21.0	23.1	26.0
23	22.0	24.1	27.0
24	23.0	25.1	28.0
25	24.0	26.1	29.0
26	25.0	27.1	30.0
27	26.0	28.1	31.0
28	27.0	29.1	32.0
29	28.0	30.1	33.0
30	29.0	31.1	34.0

一般公差 <b>TOLERANCES</b> X ±0.5 XX ±0.15 X ±0.25 XXX ±0.1 ANGLES ±2°		<b>宏致電子股份有限公司</b> Aces Electronic Co.,Ltd.	
檢驗尺寸標示 <b>SYMBOLS</b> ① ② INDICATE CLASSIFICATION DIMENSION ① MARK IS CRITICAL DIM. ② MARK IS MAJOR DIM.	品名 (TITLE) 1.0mm NON ZIF FPC CONN SMT R/A (BOT. CONTACT)TYPE 圖號 (DWG.NO) 50687-XXXXX-XXX	製圖 (DR) 10/11/06 審核 (CHKD) CARL 核准 (APPD) Jason	張數 (SHEET) 1 OF 1 SIZE A4 REV 0
表面處理 (FINISH)	比例 (SCALE) 1:1	單位 (UNITS) mm	