



## MS5806-02BA

### Miniature Altimeter Module

#### SPECIFICATIONS

- ◆ High resolution module, 20cm
- ◆ Fast conversion down to 1 ms
- ◆ Low power, 1  $\mu$ A (standby < 0.15  $\mu$ A)
- ◆ Integrated digital pressure sensor (24 bit  $\Delta\Sigma$  ADC)
- ◆ Supply voltage 1.8 to 3.6 V
- ◆ Operating range: 300 to 1100 mbar, -40 to +85 °C
- ◆ Extended Pressure Range: 10 to 2000mbar
- ◆ I<sup>2</sup>C or SPI interface (Mode 0, 3)
- ◆ No external components (Internal oscillator)
- ◆ Excellent long term stability
- ◆ Hermetically sealable for outdoor devices

The MS5806-02BA is a new generation of high resolution altimeter sensors from MEAS Switzerland with SPI and I<sup>2</sup>C bus interface. It is optimized for altimeters and variometers with an altitude resolution of 20cm. The sensor module includes a high linearity pressure sensor and an ultra low power 24 bit  $\Delta\Sigma$  ADC with internal factory calibrated coefficients. It provides a precise digital 24 Bit pressure and temperature value and different operation modes that allow the user to optimize for conversion speed and current consumption. A high resolution temperature output allows the implementation of an altimeter/thermometer function without any additional sensor. The MS5806-02BA can be interfaced to virtually any microcontroller. The communication protocol is simple, without the need of programming internal registers in the device. The gel protection and antimagnetic stainless steel cap allows the use in 100m water resistant altimeter/compass watches. This new sensor module generation is based on leading MEMS technology and latest benefits from MEAS Switzerland proven experience and know-how in high volume manufacturing of altimeter modules, which has been widely used for over a decade. The sensing principle employed leads to very low hysteresis and high stability of both pressure and temperature signal.

## FEATURES

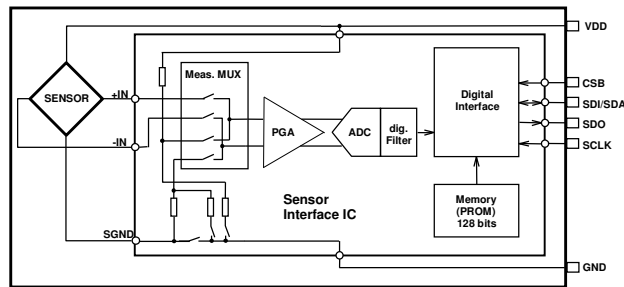
### FIELD OF APPLICATION

- ◆ Mobile altimeter / barometer systems
- ◆ Bike computers
- ◆ Adventure or multi-mode watches
- ◆ Variometers
- ◆ Dataloggers

### TECHNICAL DATA

| Sensor Performances ( $V_{DD} = 3\text{ V}$ )                 |                                      |       |      |         |
|---|--------------------------------------|-------|------|---------|
| Pressure  | Min                                  | Typ   | Max  | Unit    |
| Range   | 10                                   |       | 2000 | mbar    |
| ADC   | 24                                   |       |      | bit     |
| Resolution (1)  | 0.13 / 0.084 / 0.054 / 0.036 / 0.024 |       |      | mbar    |
| Accuracy 25°C, 750 to 1100 mbar                               | -1.5                                 |       | +1.5 | mbar    |
| Accuracy -20°C to + 85°C, 300 to 1100 mbar (2)                | -2.5                                 |       | +2.5 | mbar    |
| Response time   | 0.5 / 1.1 / 2.1 / 4.1 / 8.22         |       |      | ms      |
| Long term stability   |                                      | +1    |      | mbar/yr |
| Temperature   | Min                                  | Typ   | Max  | Unit    |
| Range   | -40                                  |       | +85  | °C      |
| Resolution  |                                      | <0.01 |      | °C      |
| Accuracy at 25°C  | -0.8                                 |       | +0.8 | °C      |
| Notes: (1) Oversampling Ratio: 256 / 512 / 1024 / 2048 / 4096 |                                      |       |      |         |
| (2) With autozero at one pressure point                       |                                      |       |      |         |

### FUNCTIONAL BLOCK DIAGRAM



**Note:** the communication protocol is defined by hardware (I2c: version 52 and SPI: version 42)

## PERFORMANCE SPECIFICATIONS

### ABSOLUTE MAXIMUM RATINGS

| Parameter                     | Symbol           | Conditions           | Min. | Typ. | Max  | Unit |
|-------------------------------|------------------|----------------------|------|------|------|------|
| Supply voltage                | V <sub>DD</sub>  |                      | -0.3 |      | +3.6 | V    |
| Storage temperature           | T <sub>S</sub>   |                      | -40  |      | +85  | °C   |
| Overpressure                  | P <sub>max</sub> | ISO 2281             |      |      | 10   | bar  |
| Maximum Soldering Temperature | T <sub>max</sub> | 40 sec max           |      |      | 250  | °C   |
| ESD rating                    |                  | Human Body Model     | -4   |      | +4   | kV   |
| Latch up                      |                  | JEDEC standard No 78 | -100 |      | +100 | mA   |

### ELECTRICAL CHARACTERISTICS

| Parameter                             | Symbol          | Conditions                                | Min. | Typ.                             | Max  | Unit |
|---------------------------------------|-----------------|---|------|----------------------------------|------|------|
| Operating Supply voltage              | V <sub>DD</sub> |   | 1.8  | 3.0                              | 3.6  | V    |
| Operating Temperature                 | T               |   | -40  | +25                              | +85  | °C   |
| Supply current<br>(1 sample per sec.) | I <sub>DD</sub> | OSR<br>4096<br>2048<br>1024<br>512<br>256 |      | 12.5<br>6.3<br>3.2<br>1.7<br>0.9 |      | µA   |
| Peak supply current                   |                 | during conversion                         |      | 1.4                              |      | mA   |
| Standby supply current                |                 | at 25°C                                   |      | 0.02                             | 0.14 | µA   |
| VDD Capacitor                         |                 | From VDD to GND                           | 100  |                                  |      | nF   |

### ANALOG DIGITAL CONVERTER (ADC)

| Parameter       | Symbol         | Conditions                                | Min.                                 | Typ.                                 | Max                                  | Unit |
|-----------------|----------------|---|--------------------------------------|--------------------------------------|--------------------------------------|------|
| Output Word     |                |   |                                      | 24                                   |                                      | bit  |
| Conversion time | t <sub>c</sub> | OSR<br>4096<br>2048<br>1024<br>512<br>256 | 7.40<br>3.72<br>1.88<br>0.95<br>0.48 | 8.22<br>4.13<br>2.08<br>1.06<br>0.54 | 9.04<br>4.54<br>2.28<br>1.17<br>0.60 | ms   |

**PERFORMANCE SPECIFICATIONS (CONTINUED)**

**PRESSURE OUTPUT CHARACTERISTICS ( $V_{DD} = 3\text{ V}$ ,  $T = 25^\circ\text{C}$  UNLESS OTHERWISE NOTED)**

| Parameter  | Conditions                                  |                     | Min. | Typ.   | Max  | Unit    |
|--|---|---------------------|------|--------|------|---------|
| Operating Pressure Range                               | $P_{\text{range}}$                          | Full Accuracy       | 300  |        | 1100 | mbar    |
| Extended Pressure Range                                | $P_{\text{ext}}$                            | Linear Range of ADC | 10   |        | 2000 | mbar    |
| Absolute Accuracy, no autozero                         | at $25^\circ\text{C}$ , 700..1100 mbar      |                     | -1.5 |        | +1.5 | mbar    |
|  | at $0..50^\circ\text{C}$ , 300..1100 mbar   |                     | -2.0 |        | +2.0 |         |
|  | at $-20..85^\circ\text{C}$ , 300..1100 mbar |                     | -3.5 |        | +3.5 |         |
| Absolute Accuracy, autozero at one pressure point      | at $25^\circ\text{C}$ , 700..1100 mbar      |                     | -0.5 |        | +0.5 | mbar    |
|  | at $0..50^\circ\text{C}$ , 300..1100 mbar   |                     | -1.0 |        | +1.0 |         |
|  | at $-20..85^\circ\text{C}$ , 300..1100 mbar |                     | -2.5 |        | +2.5 |         |
| Maximum error with supply voltage (1)                  | $V_{DD} = 1.8\text{ V} \dots 3.6\text{ V}$  |                     |      | +/- 3  |      | mbar    |
| Maximum error with supply voltage compensation (1) (2) | $V_{DD} = 2.2\text{ V} \dots 3.0\text{ V}$  |                     |      | +/-0.6 |      | mbar    |
| Long-term stability                                    |   |                     |      | +1     |      | mbar/yr |
| Resolution RMS   | OSR   | 4096                |      | 0.024  |      | mbar    |
|  |   | 2048                |      | 0.036  |      |         |
|  |   | 1024                |      | 0.054  |      |         |
|  |   | 512                 |      | 0.084  |      |         |
|  |   | 256                 |      | 0.130  |      |         |

(1) With autozero at 3V point

(2) With voltage compensation for accumulator application

**TEMPERATURE OUTPUT CHARACTERISTICS ( $V_{DD} = 3\text{ V}$ ,  $T = 25^\circ\text{C}$  UNLESS OTHERWISE NOTED)**

| Parameter                            | Conditions                                  |      | Min.         | Typ.    | Max          | Unit             |
|--------------------------------------|---|------|--------------|---------|--------------|------------------|
| Absolute Accuracy                    | 700 ... 1100mbar<br>$-20..85^\circ\text{C}$ |      | -0.8<br>-2.0 |         | +0.8<br>+2.0 | $^\circ\text{C}$ |
| Maximum error with supply voltage(1) | $V_{DD} = 1.8\text{ V} \dots 3.6\text{ V}$  |      |              | +/- 0.5 |              | $^\circ\text{C}$ |
| Resolution RMS                       | OSR   | 4096 |              | 0.002   |              | $^\circ\text{C}$ |
|                                      |   | 2048 |              | 0.003   |              |                  |
|                                      |   | 1024 |              | 0.005   |              |                  |
|                                      |   | 512  |              | 0.008   |              |                  |
|                                      |   | 256  |              | 0.012   |              |                  |

(1) With autozero at 3V point

## PERFORMANCE SPECIFICATIONS (CONTINUED)

## DIGITAL INPUTS (CSB, DIN, SCLK, SDA, SCL)

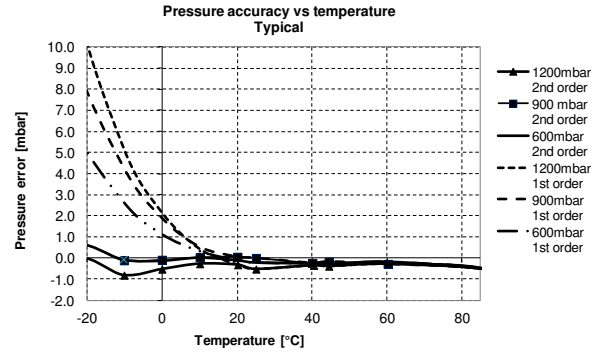
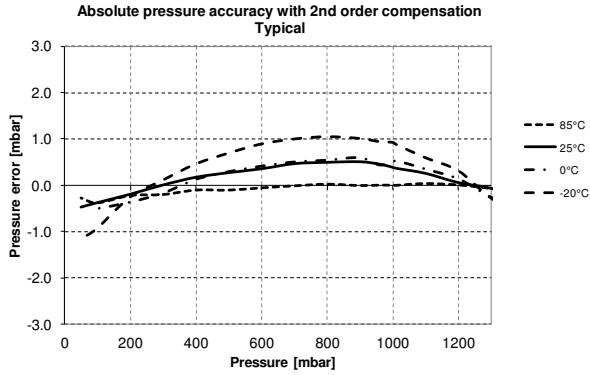
| Parameter             | Symbol                | Conditions   | Min.                | Typ. | Max                  | Unit |
|-----------------------|-----------------------|--------------|---------------------|------|----------------------|------|
| Serial data clock     | SCLK                  | SPI protocol |                     |      | 10                   | MHz  |
| Input high voltage    | V <sub>IH</sub>       | Pins CSB     | 80% V <sub>DD</sub> |      | 100% V <sub>DD</sub> | V    |
| Input low voltage     | V <sub>IL</sub>       |              | 0% V <sub>DD</sub>  |      | 20% V <sub>DD</sub>  | V    |
| Input leakage current | I <sub>leak25°C</sub> | at 25°C      |                     |      | 0.15                 | μA   |
| Load capacitance      | C <sub>IN</sub>       |              |                     | 8    |                      | pF   |

## DIGITAL OUTPUTS (DOUT, SDA, SCL)

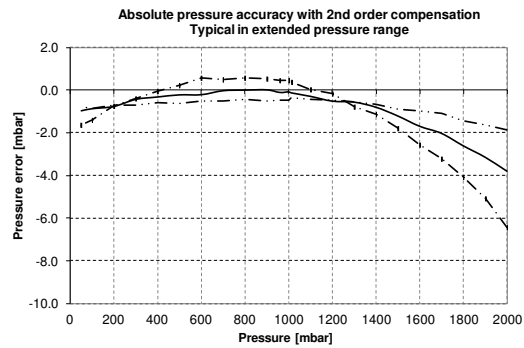
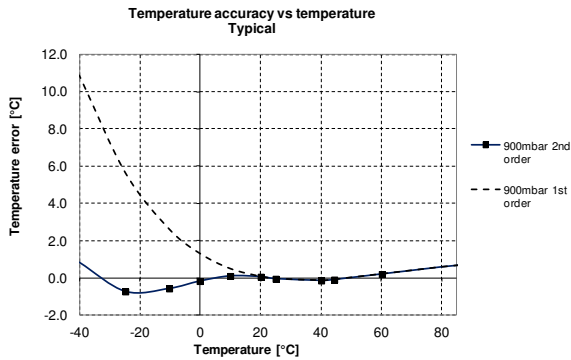
| Parameter           | Symbol            | Conditions                   | Min.                | Typ. | Max                  | Unit |
|---------------------|-------------------|------------------------------|---------------------|------|----------------------|------|
| Output high voltage | V <sub>OH</sub>   | I <sub>source</sub> = 0.6 mA | 80% V <sub>DD</sub> |      | 100% V <sub>DD</sub> | V    |
| Output low voltage  | V <sub>OL</sub>   | I <sub>sink</sub> = 0.6 mA   | 0% V <sub>DD</sub>  |      | 20% V <sub>DD</sub>  | V    |
| Load capacitance    | C <sub>LOAD</sub> |                              |                     | 16   |                      | pF   |

## PERFORMANCE CHARACTERISTICS

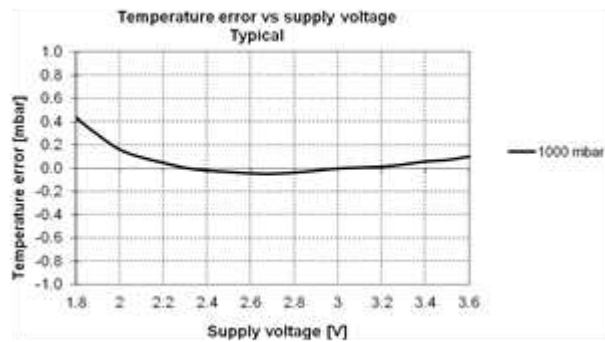
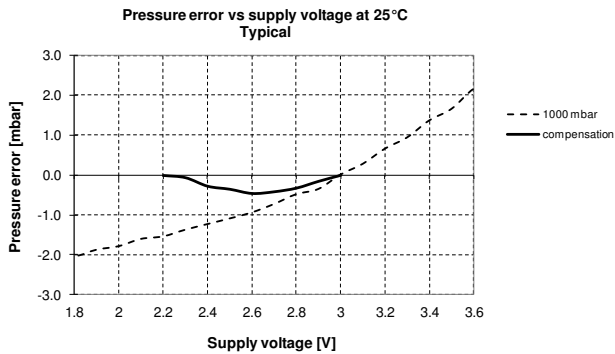
### PRESSURE ERROR VS PRESSURE AND TEMPERATURE



### TEMPERATURE ERROR VS TEMPERATURE AND EXTENDED PRESSURE RANGE (TYPICAL ERROR)



### PRESSURE AND PSRR TEMPERATURE VS SUPPLY VOLTAGE



## FUNCTIONAL DESCRIPTION

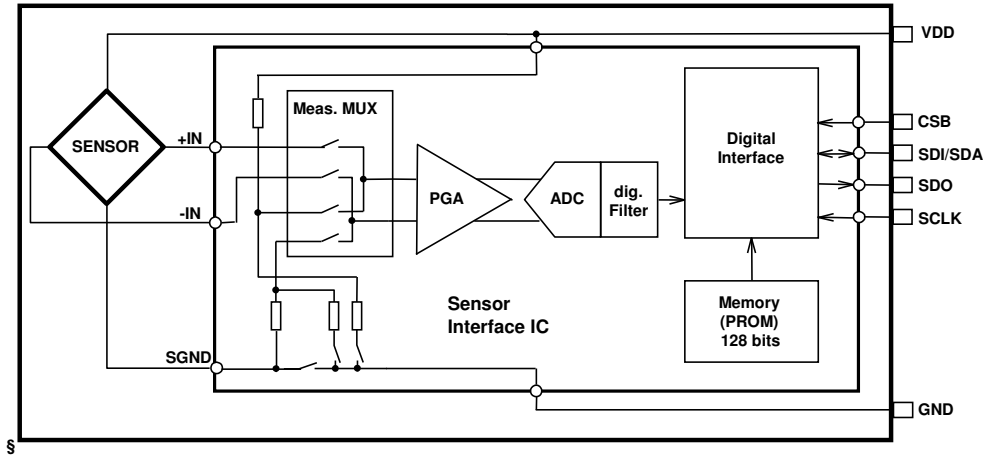


Figure 1: Block diagram of MS5806-02BA

### GENERAL

The MS5806-02BA consists of a piezo-resistive sensor and a sensor interface IC. The main function of the MS5806-02BA is to convert the uncompensated analogue output voltage from the piezo-resistive pressure sensor to a 24-bit digital value, as well as providing a 24-bit digital value for the temperature of the sensor.

### FACTORY CALIBRATION

Every module is individually factory calibrated at two temperatures and two pressures. As a result, 6 coefficients necessary to compensate for process variations and temperature variations are calculated and stored in the 128-bit PROM of each module. These bits (partitioned into 6 coefficients W1 to W6) must be read by the microcontroller software and used in the program converting D1 and D2 into compensated pressure and temperature values. The 2 coefficients W0 and W7 are for factory configuration and CRC.

### SERIAL INTERFACE

The MS5806-02BA has built in two types of serial interfaces: SPI and I<sup>2</sup>C. The pin PS is factory connected to GND or VCC to define the Protocol Select:

| Module ref    | Mode             | Pins used           |
|---------------|------------------|---------------------|
| MS5806-02BA52 | I <sup>2</sup> C | SDA, SCL, CSB       |
| MS5806-02BA42 | SPI              | SDI, SDO, SCLK, CSB |

### SPI MODE

The external microcontroller clocks in the data through the input SCLK (Serial CLock) and SDI (Serial Data In). In the SPI mode module can accept both mode 0 and mode 3 for the clock polarity and phase. The sensor responds on the output SDO (Serial Data Out). The pin CSB (Chip Select) is used to enable/disable the interface, so that other devices can talk on the same SPI bus. The CSB pin can be pulled high after the command is sent or after the end of the command execution (for example end of conversion). The best noise performance from the module is obtained when the SPI bus is quiet and without communication to other devices during the ADC conversion in progress.

## I<sup>2</sup>C MODE

The external microcontroller clocks in the data through the input SCLK (Serial CLock) and SDA (Serial DAta). The sensor responds on the same pin SDA which is bidirectional for the I<sup>2</sup>C bus interface. So this interface type uses only 2 signal lines and does not require a chip select, which can be favorable to reduce board space. In I<sup>2</sup>C-Mode the complement of the pin CSB (Chip Select) represents the LSB of the I<sup>2</sup>C address. It is possible to use two sensors with two different addresses on the I<sup>2</sup>C bus. The pin CSB shall be connected to VDD or GND (do not leave unconnected!).

| Pin CSB | Address (7 bits) |
|---------|------------------|
| High    | 0x76 (1110110 b) |
| Low     | 0x77 (1110111 b) |

## COMMANDS

The MS5806-02BA has only five basic commands:

1. Reset
2. Read PROM (128 bit of calibration words)
3. D1 conversion
4. D2 conversion
5. Read ADC result (24 bit pressure / temperature)

| Bit number            | Command byte |     |   |     |             |             |             |      | hex value       |
|-----------------------|--------------|-----|---|-----|-------------|-------------|-------------|------|-----------------|
|                       | 0            | 1   | 2 | 3   | 4           | 5           | 6           | 7    |                 |
| Bit name              | PRM          | COV | - | Typ | Ad2/<br>Os2 | Ad1/<br>Os1 | Ad0/<br>Os0 | Stop |                 |
| Command               |              |     |   |     |             |             |             |      |                 |
| Reset                 | 0            | 0   | 0 | 1   | 1           | 1           | 1           | 0    | 0x1E            |
| Convert D1 (OSR=256)  | 0            | 1   | 0 | 0   | 0           | 0           | 0           | 0    | 0x40            |
| Convert D1 (OSR=512)  | 0            | 1   | 0 | 0   | 0           | 0           | 1           | 0    | 0x42            |
| Convert D1 (OSR=1024) | 0            | 1   | 0 | 0   | 0           | 1           | 0           | 0    | 0x44            |
| Convert D1 (OSR=2048) | 0            | 1   | 0 | 0   | 0           | 1           | 1           | 0    | 0x46            |
| Convert D1 (OSR=4096) | 0            | 1   | 0 | 0   | 1           | 0           | 0           | 0    | 0x48            |
| Convert D2 (OSR=256)  | 0            | 1   | 0 | 1   | 0           | 0           | 0           | 0    | 0x50            |
| Convert D2 (OSR=512)  | 0            | 1   | 0 | 1   | 0           | 0           | 1           | 0    | 0x52            |
| Convert D2 (OSR=1024) | 0            | 1   | 0 | 1   | 0           | 1           | 0           | 0    | 0x54            |
| Convert D2 (OSR=2048) | 0            | 1   | 0 | 1   | 0           | 1           | 1           | 0    | 0x56            |
| Convert D2 (OSR=4096) | 0            | 1   | 0 | 1   | 1           | 0           | 0           | 0    | 0x58            |
| ADC Read              | 0            | 0   | 0 | 0   | 0           | 0           | 0           | 0    | 0x00            |
| PROM Read             | 1            | 0   | 1 | 0   | Ad2         | Ad1         | Ad0         | 0    | 0xA0 to<br>0xAE |

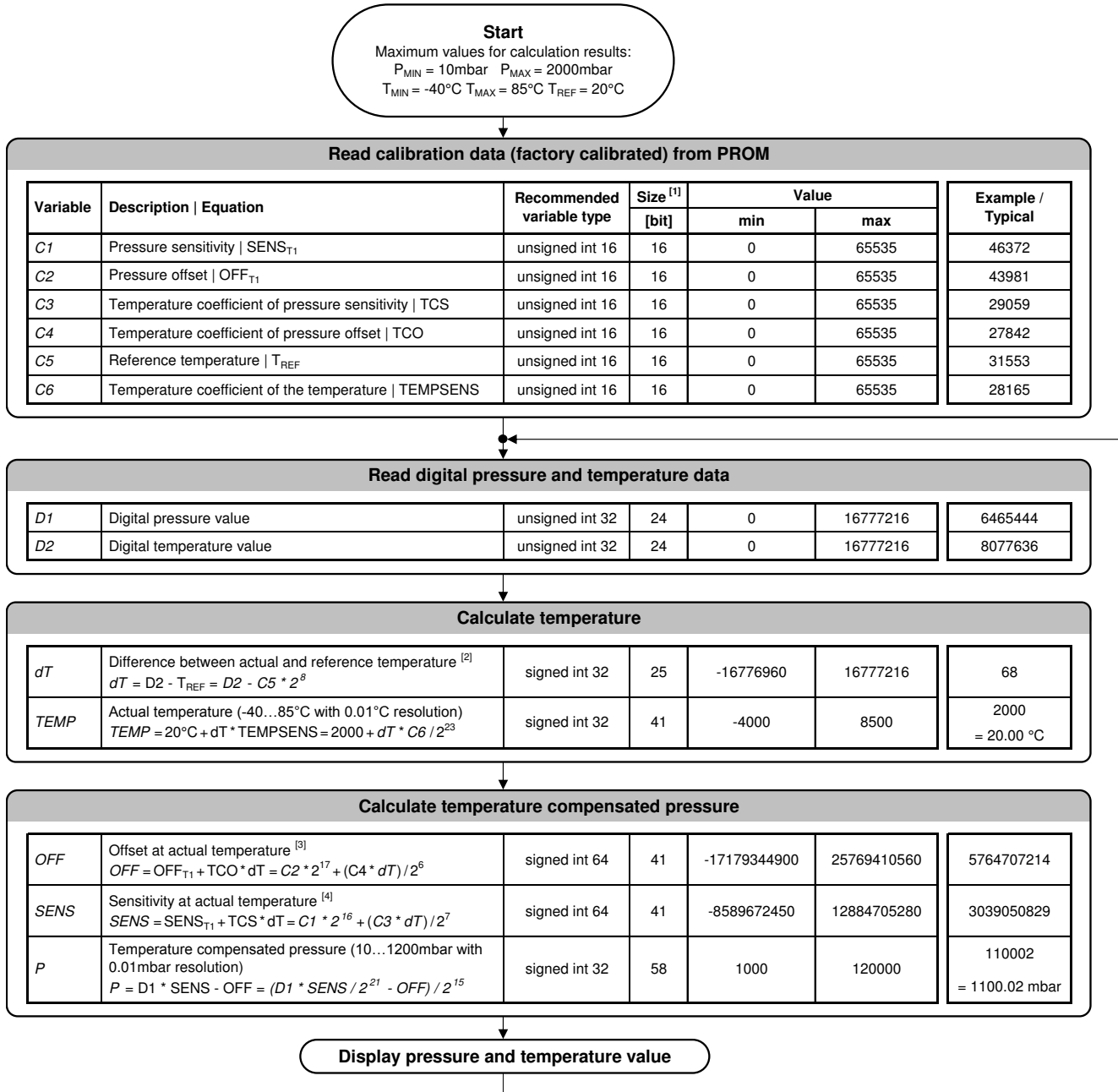
Figure 2: Command structure

|           |  |
|-----------|--|
| PRM       | PROM read bit                            |
| COV       | Conversion selection bit                 |
| Typ       | D1 or D2 selection bit (Conversion mode) |
| ADx / OSx | Address PROM or OSR configuration        |
| Stop      | Stop bit                                 |

Figure 2a: Bit description



## PRESSURE AND TEMPERATURE CALCULATION



Notes

- [1] Maximal size of intermediate result during evaluation of variable
- [2] min and max have to be defined
- [3] min and max have to be defined
- [4] min and max have to be defined

Figure 3: Flow chart for pressure and temperature reading and software compensation.

**SECOND ORDER TEMPERATURE COMPENSATION**

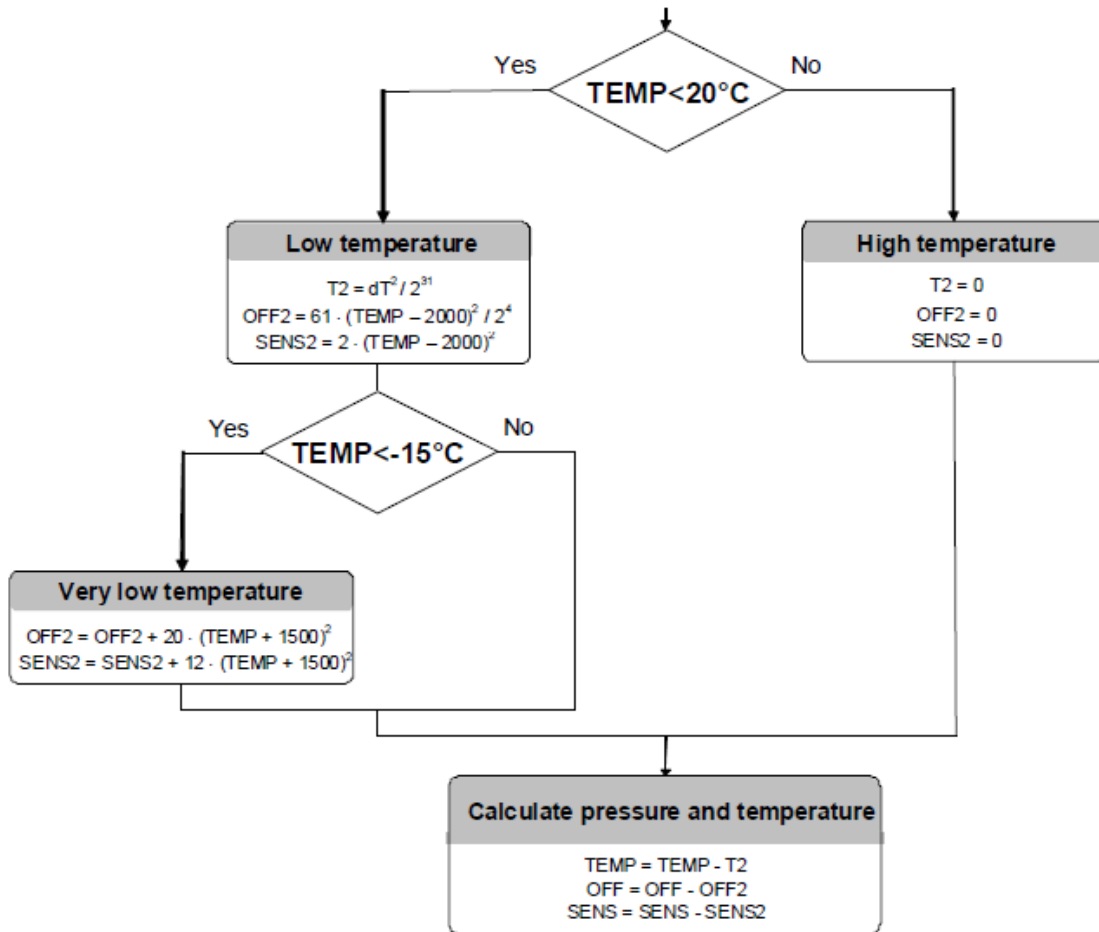


Figure 4: Flow chart for pressure and temperature to the optimum accuracy.

**PRESSURE COMPENSATION WITH SUPPLY VOLTAGE**

It is recommended to use this formula only in the specified voltage range. During the ADC conversion, the power supply V<sub>DD</sub> must be stable.

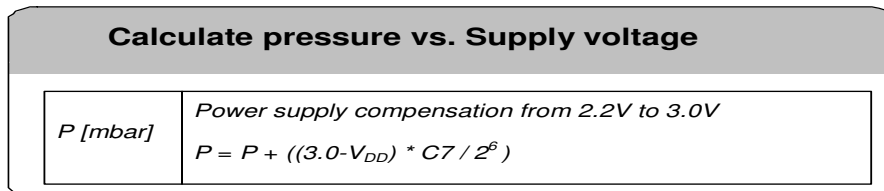


Figure 5: Flow chart for pressure compensation VS supply voltage.

## SPI INTERFACE (MS5806-02BA42 ONLY)

### RESET SEQUENCE

The Reset sequence shall be sent once after power-on to make sure that the calibration PROM gets loaded into the internal register. It can be also used to reset the device ROM from an unknown condition

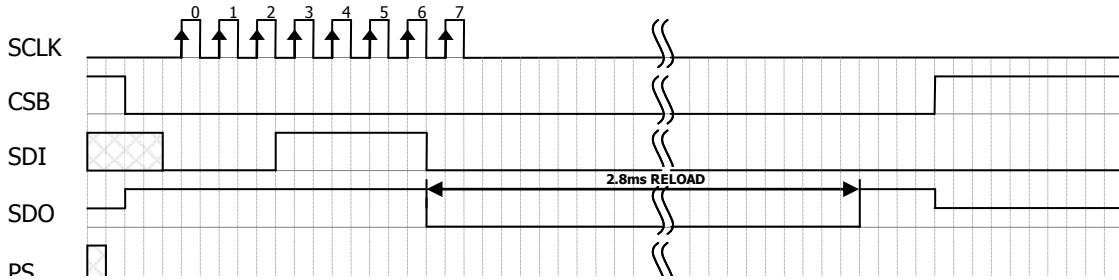


Figure 6: Reset command sequence SPI mode 0

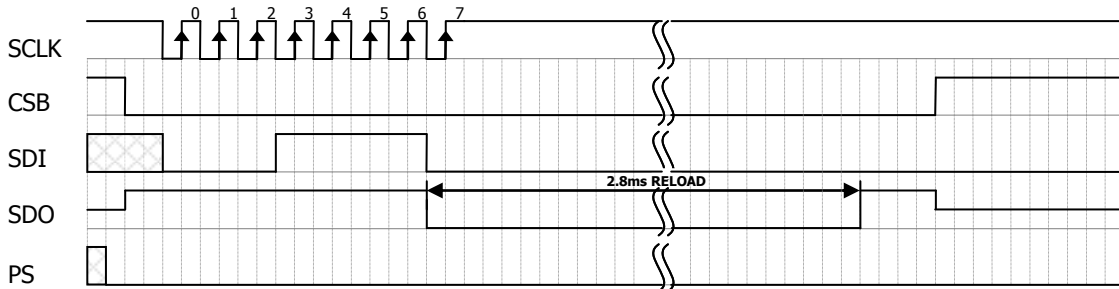


Figure 6a: Reset command sequence SPI mode 3

**CONVERSION SEQUENCE**

The conversion command is used to initiate uncompensated pressure (D1) or uncompensated temperature (D2) conversion. The chip select can be disabled during this time to communicate with other devices. After the conversion, using ADC read command the result is clocked out with the MSB first. If the conversion is not executed before the ADC read command, or the ADC read command is repeated, it will give 0 as the output result. If the ADC read command is sent during conversion the result will be 0, the conversion will not stop and the final result will be wrong. Conversion sequence sent during the already started conversion process will yield incorrect result as well.

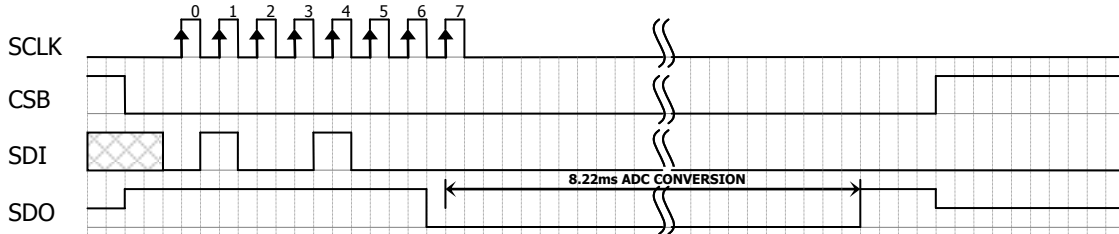


Figure 7: Conversion out sequence, Typ=d1, OSR = 4096

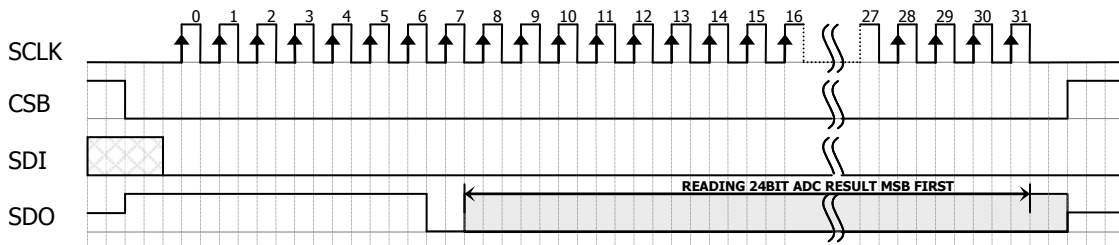


Figure 8: ADC Read sequence

**PROM READ SEQUENCE**

The read command for PROM shall be executed once after reset by the user to read the content of the calibration PROM and to calculate the calibration coefficients. There are in total 8 addresses resulting in a total memory of 128 bit. Address 0 contains factory data and the setup, addresses 1-6 calibration coefficients and address 7 contains the serial code and CRC. The command sequence is 8 bits long with a 16 bit result which is clocked with the MSB first.

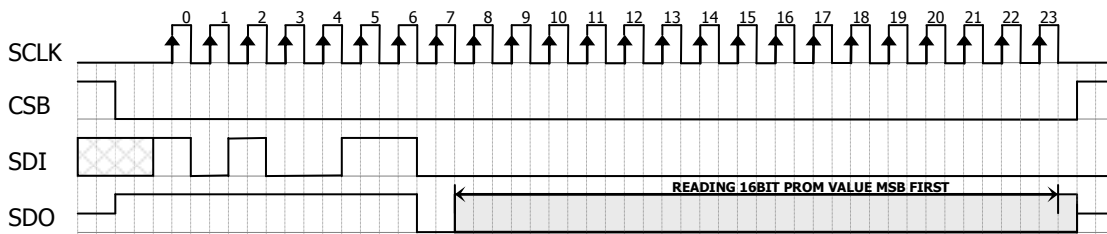


Figure 9: PROM Read sequence, address = 011 (Coefficient 3)



**PROM READ SEQUENCE**

The PROM Read command consists of two parts. First command sets up the system into PROM read mode. The second part gets the data from the system.

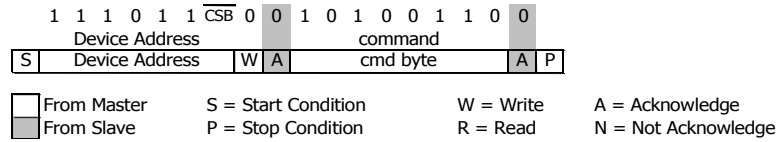


Figure 14: I<sup>2</sup>C Command to read memory address= 011 (Coefficient 3)

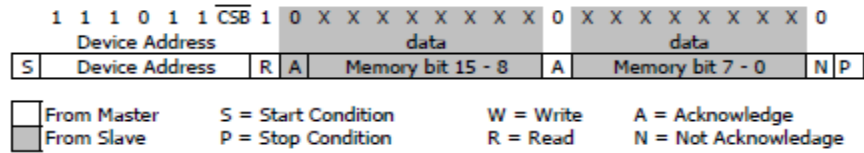


Figure 15: I<sup>2</sup>C answer from MS5806-02BA

**CYCLIC REDUNDANCY CHECK (CRC)**

MS5806-02BA contains a PROM memory with 128-Bit. A 4-bit CRC has been implemented to check the data validity in memory. The application note AN520 describes in detail CRC-4 code used.

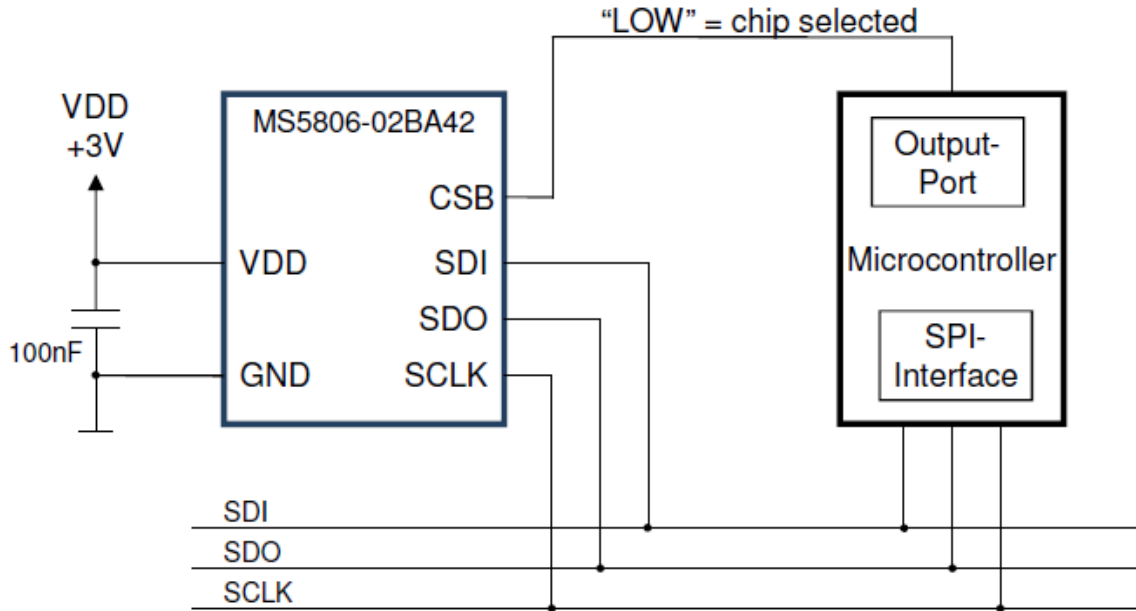
|   |                                  |   |   |   |                                |   |   |   |   |   |   |   |   |   |     |   |
|---|----------------------------------|---|---|---|--------------------------------|---|---|---|---|---|---|---|---|---|-----|---|
| A | D                                | D | D | D | D                              | D | D | D | D | D | D | D | D | D | D   | D |
| d | B                                | B | B | B | B                              | B | B | B | B | B | B | B | B | B | B   | B |
| d | 1                                | 1 | 1 | 1 | 1                              | 1 | 0 | 9 | 8 | 7 | 6 | 5 | 4 | 3 | 2   | 1 |
| 0 | 16 bit reserved for manufacturer |   |   |   |                                |   |   |   |   |   |   |   |   |   |     |   |
| 1 | Coefficient 1 (16 bit unsigned)  |   |   |   |                                |   |   |   |   |   |   |   |   |   |     |   |
| 2 | Coefficient 2 (16 bit unsigned)  |   |   |   |                                |   |   |   |   |   |   |   |   |   |     |   |
| 3 | Coefficient 3 (16 bit unsigned)  |   |   |   |                                |   |   |   |   |   |   |   |   |   |     |   |
| 4 | Coefficient 4 (16 bit unsigned)  |   |   |   |                                |   |   |   |   |   |   |   |   |   |     |   |
| 5 | Coefficient 5 (16 bit unsigned)  |   |   |   |                                |   |   |   |   |   |   |   |   |   |     |   |
| 6 | Coefficient 6 (16 bit unsigned)  |   |   |   |                                |   |   |   |   |   |   |   |   |   |     |   |
| 7 | -                                | - | - | - | Coefficient 7 (8 bit unsigned) |   |   |   |   |   |   |   |   |   | CRC |   |

Figure 16: Memory PROM mapping

## APPLICATION CIRCUIT

The MS5806-02BA is a circuit that can be used in conjunction with a microcontroller in mobile altimeter applications. It is designed for low-voltage systems with a supply voltage of 3 V.

### SPI protocol communication



### I2C protocol communication

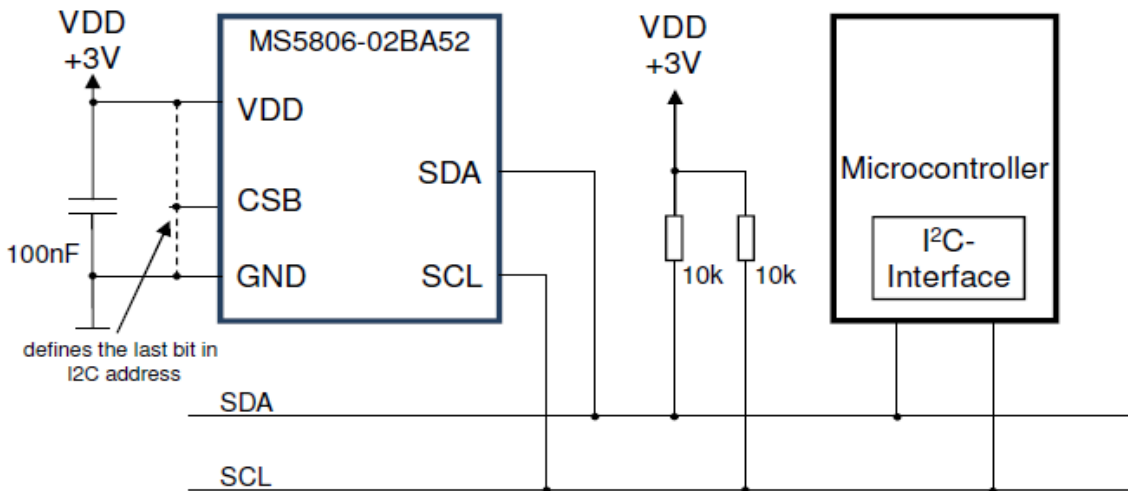


Figure 17: Typical application circuit with SPI / I<sup>2</sup>C protocol communication

## PIN CONFIGURATION AND DEVICE PACKAGE OUTLINE

SPECIFIED DIM ARE IN MILLIMETERS LINEAR DIMENSIONS  $\pm 0.1$

NOTE:  
1: CAP CENTERING  $\pm 0.15$  FROM THE CENTRE OF CERAMIC

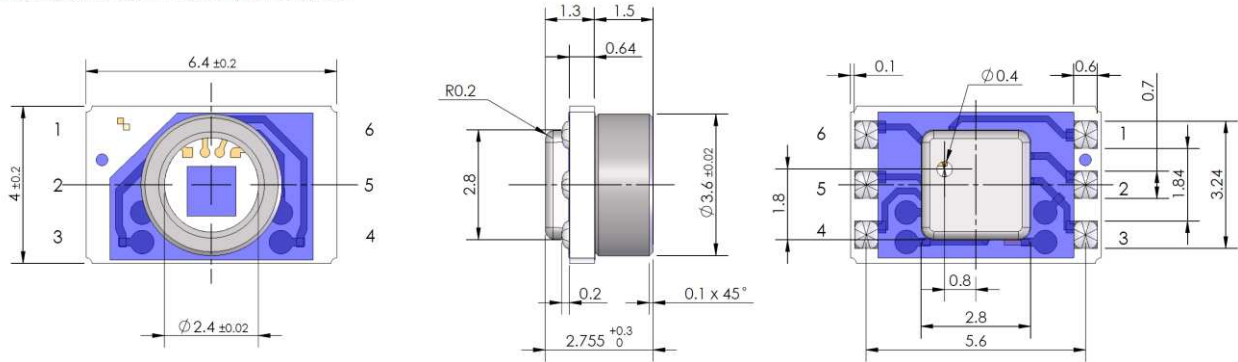


Figure 18: Pin configuration and package outlines, recommended PCB footprint

| PIN | NAME: I2C - SPI | TYPE | FUNCTION                 |
|-----|-----------------|------|--------------------------|
| 1   | SDI – SDA       | I    | Serial Data Input        |
| 2   | CSB             | I    | Chip Select (Active low) |
| 3   | VDD             | P    | Positive Supply Voltage  |
| 4   | GND             | G    | Ground                   |
| 5   | SCLK – SCL      | I    | Serial Data Clock        |
| 6   | SDO - NU        | O    | Serial Data Out          |

## RECOMMENDED PAD LAYOUT

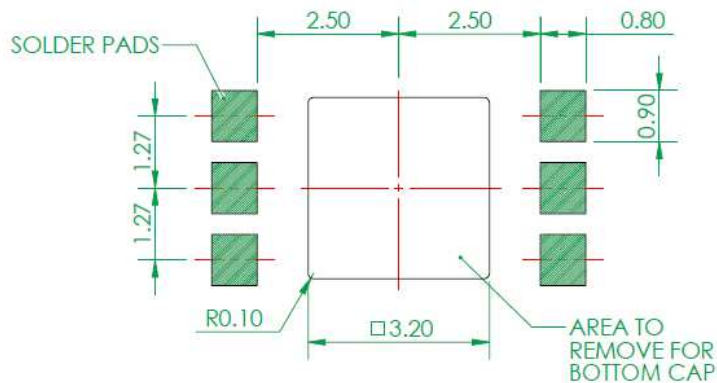


Figure 19: Pin configuration and package outlines, recommended PCB footprint





## MOUNTING AND ASSEMBLY CONSIDERATIONS

### SOLDERING

Please refer to the application note AN808 available on our website for all soldering issues.

### MOUNTING

The MS5806-02BA can be placed with automatic Pick & Place equipment using vacuum nozzles. It will not be damaged by the vacuum. Due to the low stress assembly the sensor does not show pressure hysteresis effects. It is important to solder all contact pads.

### CONNECTION TO PCB

The package outline of the module allows the use of a flexible PCB for interconnection. This can be important for applications in watches and other special devices.

### SEALING WITH O-RINGS

In products like outdoor watches the electronics must be protected against direct water or humidity. For those products the MS5806-02BA provides the possibility to seal with an O-ring. The protective cap of the MS5806-02BA is made of special anticorrosive stainless steel with a polished surface. In addition to this the MS5806-02BA is filled with silicone gel covering the sensor and the bonding wires. The O-ring (or O-rings) shall be placed at the outer diameter of the metal cap. This method avoids mechanical stress because the sensor can move in vertical direction.

### CLEANING

The MS5806-02BA has been manufactured under cleanroom conditions. It is therefore recommended to assemble the sensor under class 10'000 or better conditions. Should this not be possible, it is recommended to protect the sensor opening during assembly from entering particles and dust. To avoid cleaning of the PCB, solder paste of type "no-clean" shall be used. Cleaning might damage the sensor!

### ESD PRECAUTIONS

The electrical contact pads are protected against ESD up to 4 kV HBM (human body model). It is therefore essential to ground machines and personnel properly during assembly and handling of the device. The MS5806-02BA is shipped in antistatic transport boxes. Any test adapters or production transport boxes used during the assembly of the sensor shall be of an equivalent antistatic material.

### DECOUPLING CAPACITOR

Particular care must be taken when connecting the device to the power supply. A 100 nF ceramic capacitor must be placed as close as possible to the MS5806-02BA VDD pin. This capacitor will stabilize the power supply during data conversion and thus, provide the highest possible accuracy.

## MS5806-02BA

Miniature Altimeter Module

### ORDERING INFORMATION

| Product Code  | Product                                    | Art. No         | Delivery Form     |
|---------------|--|-----------------|-------------------|
| MS5806-02BA52 | MS5806-02BA I2C Miniature Altimeter Module | MS580602BA52-51 | Tape& reel TOP-UP |
| MS5806-02BA42 | MS5806-02BA SPI Miniature Altimeter Module | MS580602BA42-51 | Tape& reel TOP-UP |

#### NORTH AMERICA

Measurement Specialties, Inc.,  
a TE Connectivity company  
Tel: 800-522-6752  
Email: [customercare.frmt@te.com](mailto:customercare.frmt@te.com)

#### EUROPE

Measurement Specialties (Europe), Ltd.,  
a TE Connectivity Company  
Tel: 800-440-5100  
Email: [customercare.bevx@te.com](mailto:customercare.bevx@te.com)

#### ASIA

Measurement Specialties (China) Ltd.,  
a TE Connectivity company  
Tel: 0400-820-6015  
Email: [customercare.shzn@te.com](mailto:customercare.shzn@te.com)

#### [TE.com/sensorsolutions](http://TE.com/sensorsolutions)

Measurement Specialties, Inc., a TE Connectivity company.

Measurement Specialties, TE Connectivity, TE Connectivity (logo) and EVERY CONNECTION COUNTS are trademarks. All other logos, products and/or company names referred to herein might be trademarks of their respective owners.

The information given herein, including drawings, illustrations and schematics which are intended for illustration purposes only, is believed to be reliable. However, TE Connectivity makes no warranties as to its accuracy or completeness and disclaims any liability in connection with its use. TE Connectivity's obligations shall only be as set forth in TE Connectivity's Standard Terms and Conditions of Sale for this product and in no case will TE Connectivity be liable for any incidental, indirect or consequential damages arising out of the sale, resale, use or misuse of the product. Users of TE Connectivity products should make their own evaluation to determine the suitability of each such product for the specific application.

© 2015 TE Connectivity Ltd. family of companies All Rights Reserved.