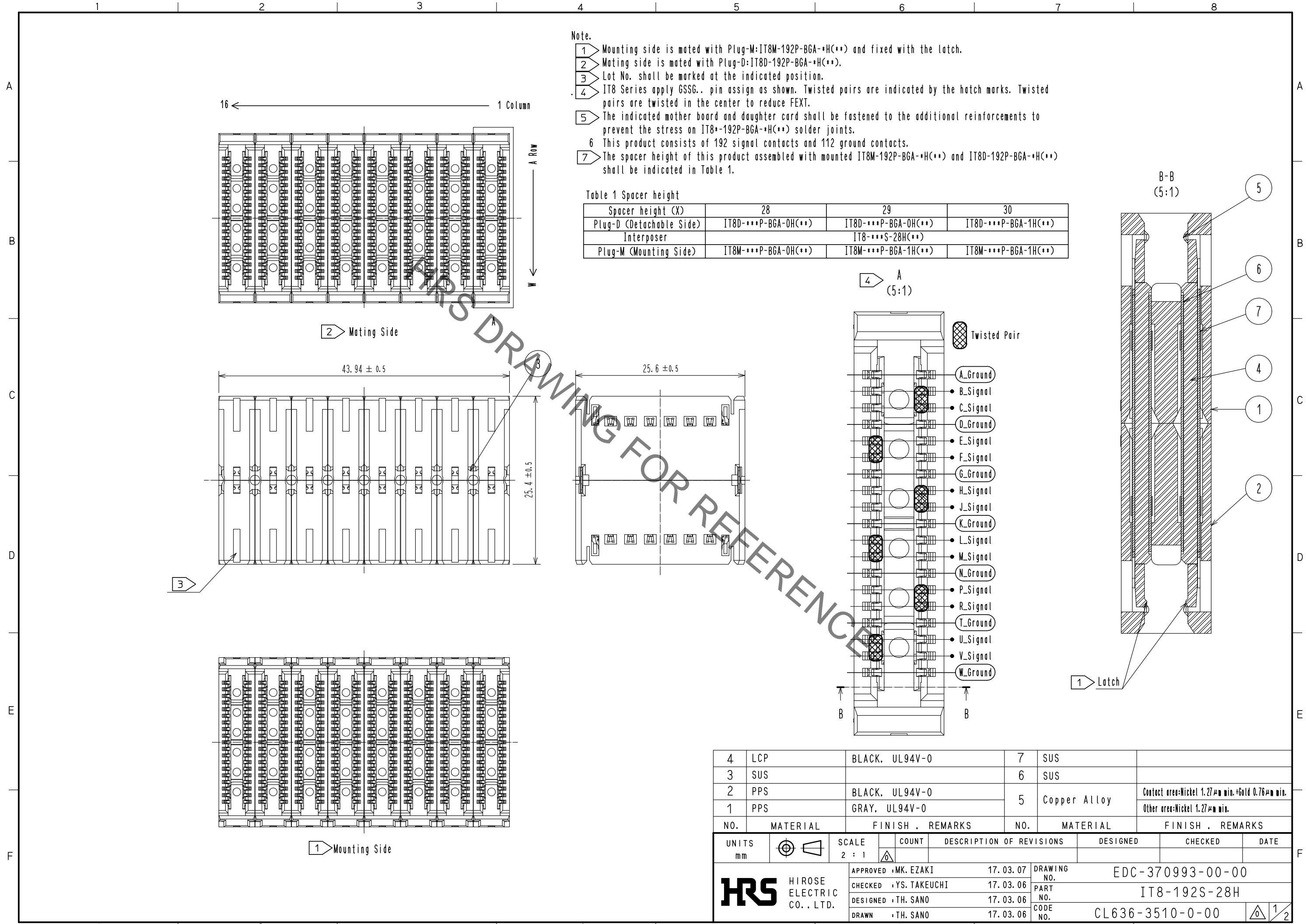


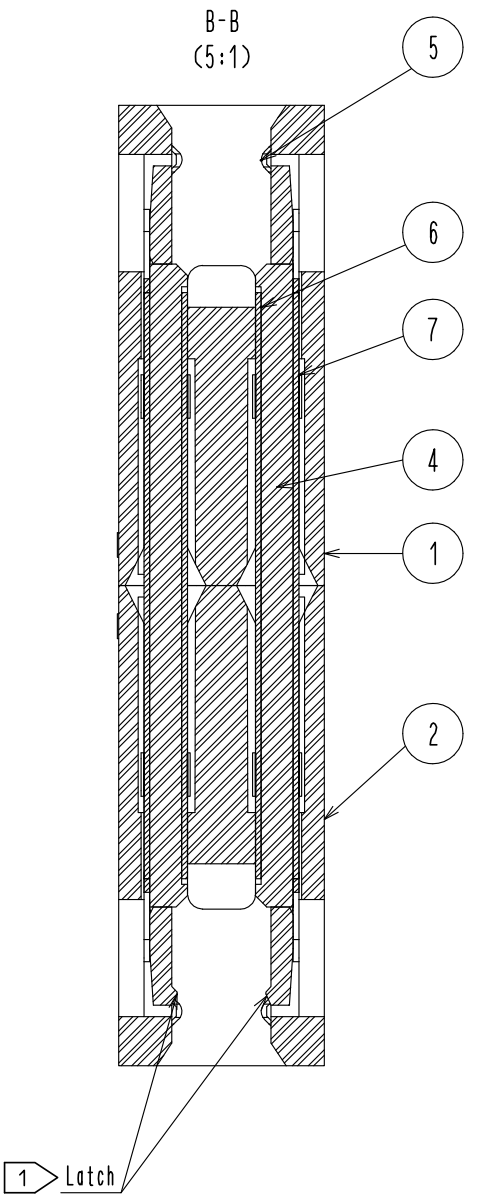
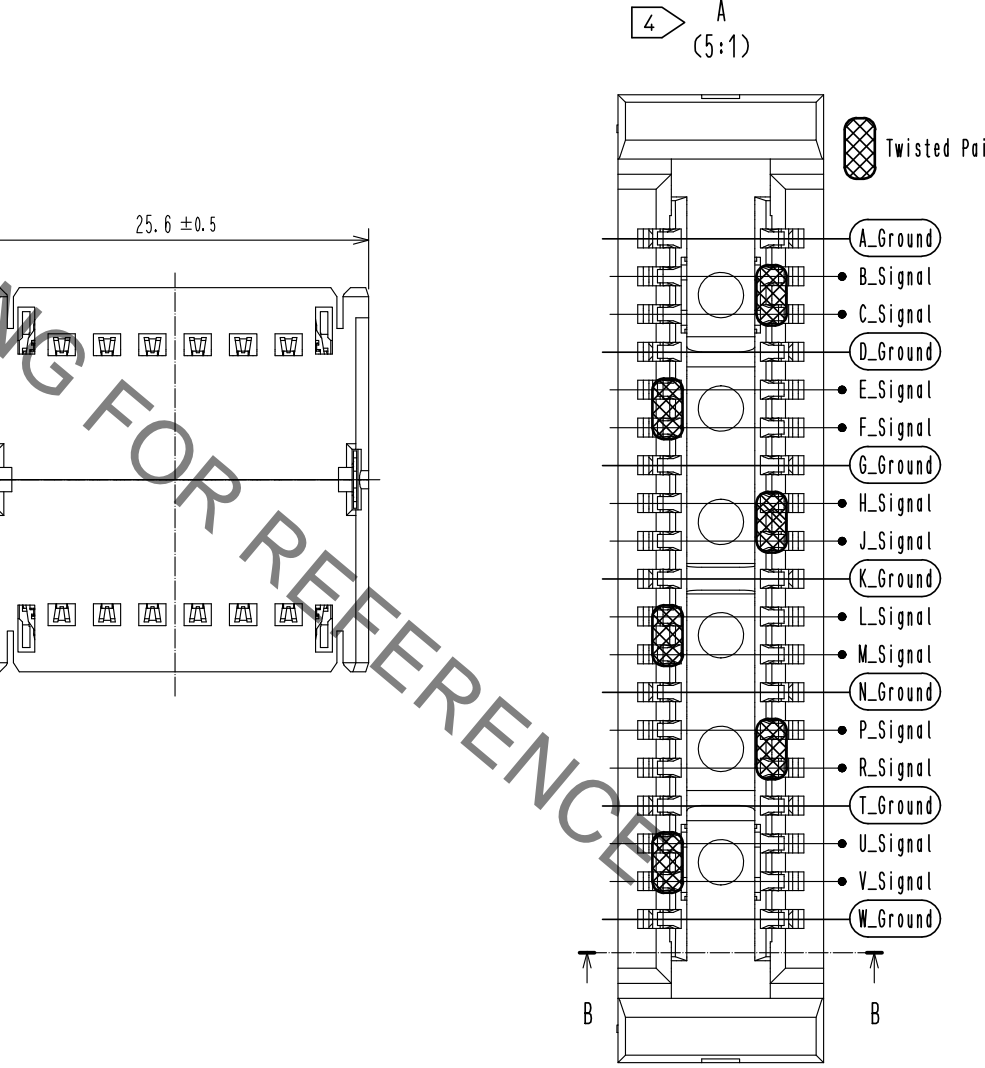
Aug.1.2022 Copyright 2022 HIROSE ELECTRIC CO., LTD. All Rights Reserved.  
In case of consideration for using Automotive equipment / device which demand high reliability, kindly contact our sales window correspondents.



- Note.
- 1 Mounting side is mated with Plug-M:IT8M-192P-BGA-H(\*\*) and fixed with the latch.
  - 2 Mating side is mated with Plug-D:IT8D-192P-BGA-H(\*\*).
  - 3 Lot No. shall be marked at the indicated position.
  - 4 IT8 Series apply GSSG. pin assign as shown. Twisted pairs are indicated by the hatch marks. Twisted pairs are twisted in the center to reduce FEXT.
  - 5 The indicated mother board and daughter card shall be fastened to the additional reinforcements to prevent the stress on IT8-192P-BGA-H(\*\*) solder joints.
  - 6 This product consists of 192 signal contacts and 112 ground contacts.
  - 7 The spacer height of this product assembled with mounted IT8M-192P-BGA-H(\*\*) and IT8D-192P-BGA-H(\*\*) shall be indicated in Table 1.

Table 1 Spacer height

Spacer height (X)	28	29	30
Plug-D (Detachable Side)	IT8D-***P-BGA-0H(**)	IT8D-***P-BGA-0H(**)	IT8D-***P-BGA-1H(**)
Interposer	IT8-***S-28H(**)		
Plug-M (Mounting Side)	IT8M-***P-BGA-0H(**)	IT8M-***P-BGA-1H(**)	IT8M-***P-BGA-1H(**)



NO.	MATERIAL	FINISH	REMARKS	NO.	MATERIAL	FINISH	REMARKS
4	LCP	BLACK.	UL94V-0	7	SUS		
3	SUS			6	SUS		
2	PPS	BLACK.	UL94V-0	5	Copper Alloy	Contact area:	Nickel 1.27µm min.+Gold 0.76µm min.
1	PPS	GRAY.	UL94V-0			Other area:	Nickel 1.27µm min.

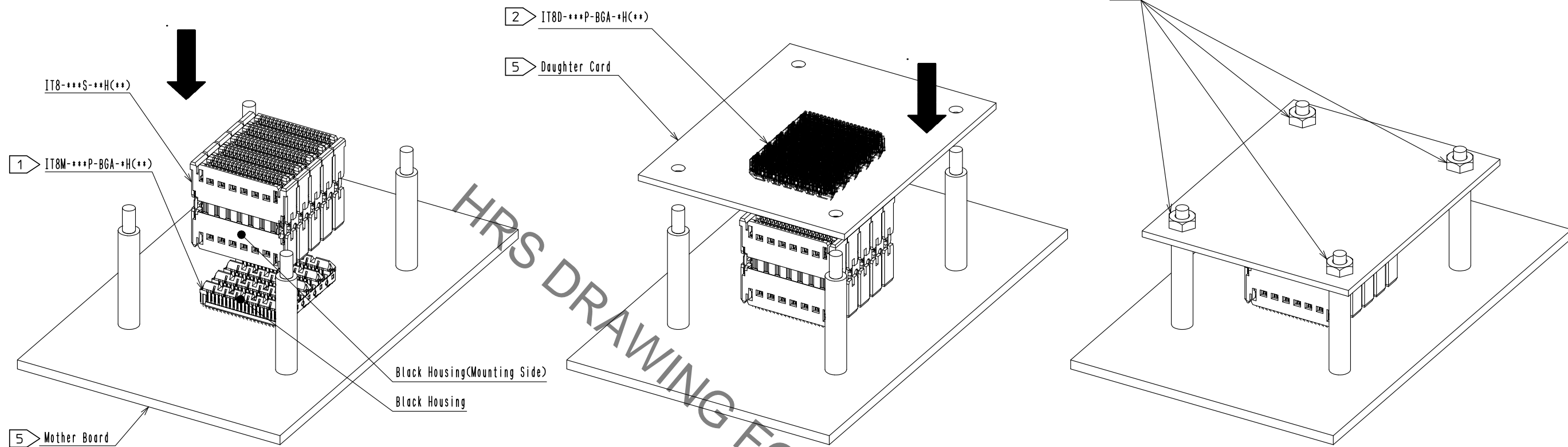
UNITS	SCALE	COUNT	DESCRIPTION OF REVISIONS	DESIGNED	CHECKED	DATE
mm	2 : 1	△				

APPROVED	: MK. EZAKI	17.03.07	DRAWING NO.	EDC-370993-00-00
CHECKED	: YS. TAKEUCHI	17.03.06	PART NO.	IT8-192S-28H
DESIGNED	: TH. SANO	17.03.06	CODE NO.	CL636-3510-0-00
DRAWN	: TH. SANO	17.03.06		

Aug.1.2022 Copyright 2022 HIROSE ELECTRIC CO., LTD. All Rights Reserved.  
 In case of consideration for using Automotive equipment / device which demand high reliability, kindly contact our sales window correspondents.

### IT8 Assembly Process

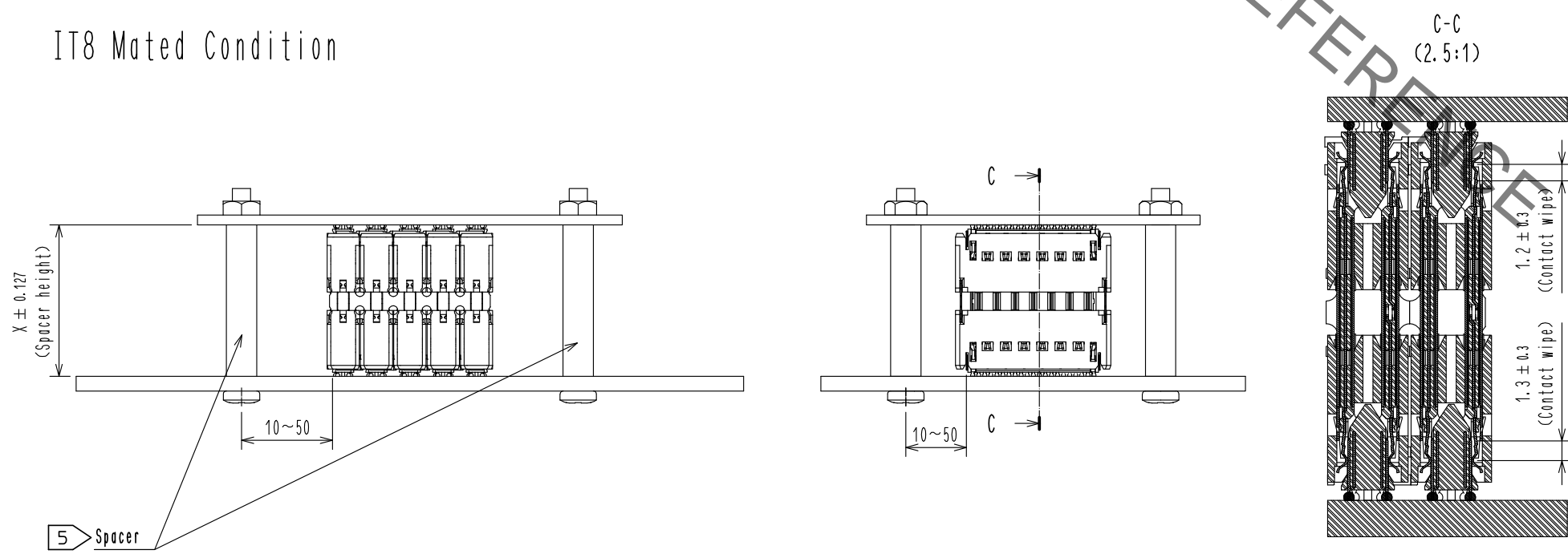


1) Insert mounting side of Interposer(IT8-\*\*\*S-\*\*H(\*\*)) by pressing on top of Interposer into reflowed Mounting Plug(IT8M-\*\*\*P-BGA-\*\*H(\*\*)) having black housings.

2) Insert Detachable Plug(IT8D-\*\*\*P-BGA-\*\*H(\*\*)) having gray housings into mating side of Interposer(IT8-\*\*\*S-\*\*H(\*\*)).

3) Install and tighten nuts to fix mated Detachable Plug after completion of mating.

### IT8 Mated Condition



<b>HRS</b>	DRAWING NO.	EDC-370993-00-00	2/2
	PART NO.	IT8-192S-28H	
	CODE NO.	CL636-3510-0-00	