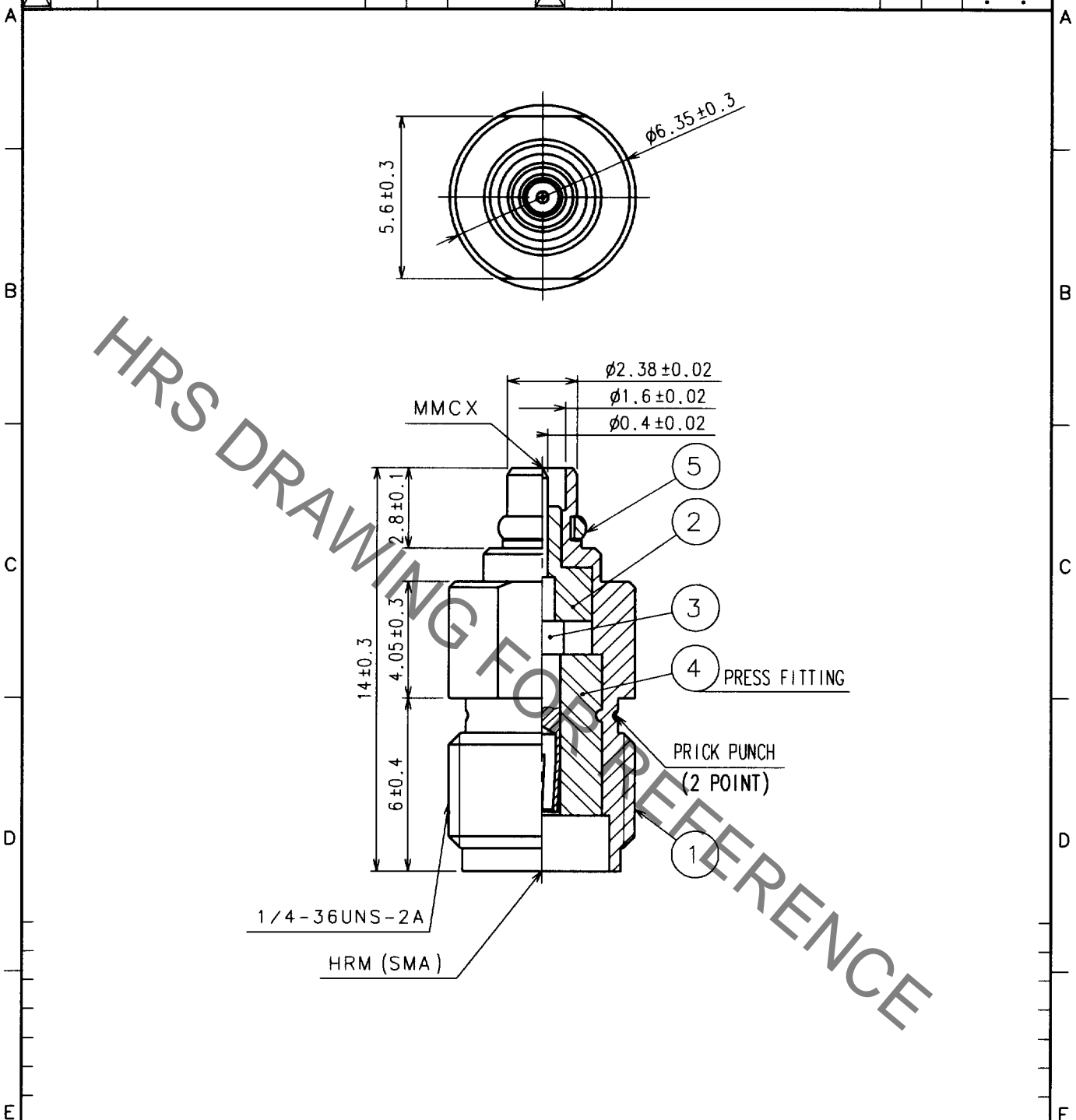


Aug.1.2022 Copyright 2022 HIROSE ELECTRIC CO., LTD. All Rights Reserved.
 In case of consideration for using Automotive equipment / device which demand high reliability, kindly contact our sales window correspondents.

1			2			3			4					
COUNT	DESCRIPTION OF REVISIONS	BY	CHKD	DATE	COUNT	DESCRIPTION OF REVISIONS	BY	CHKD	DATE	COUNT	DESCRIPTION OF REVISIONS	BY	CHKD	DATE
△					△					△				
△					△					△				
△					△					△				



3	BERYLLIUM COPPER	GOLD PLATING		5	BERYLLIUM COPPER	GOLD PLATING
2	PTFE			4	PTFE	
1	STAINLESS STEEL	GOLD PLATING				
NO.	MATERIAL	FINISH, REMARKS		NO.	MATERIAL	FINISH, REMARKS

CODE NO. (OLD)	DRAWN	DESIGNED	CHECKED	APPROVED	RELEASED
	<i>N. Ninomiya</i>	<i>N. Ninomiya</i>	<i>J. Mitani</i>	<i>K. Kobayashi</i>	
	01.5.9	01.5.9	01.5.9	01.05.09	

	DRAWING NO.	PART NO.
	EDC4-134344	HRMJ-MMCXP
SACLE 5 : 1 UNITS mm	HIROSE ELECTRIC CO., LTD.	CODE NO. CL311-0313-4

TO
RF