

CUDD8-02
CUDD8-04
CUDD8-08

**SURFACE MOUNT SILICON
ULTRA FAST
RECOVERY RECTIFIERS
8.0 AMP, 200 THRU 800 VOLT**

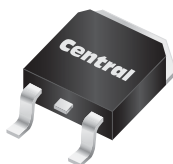


www.centrasemi.com

DESCRIPTION:

The CENTRAL SEMICONDUCTOR CUDD8-02, CUDD8-04, and CUDD8-06 are silicon Ultra-Fast Recovery Rectifiers designed for surface mount ultra fast switching applications requiring a low forward voltage drop.

D²PAK!
SUPER POWER



D²PAK CASE

MARKING CODE: FULL PART NUMBER

FEATURES:

- High Reliability
- Low Forward Voltage
- High Current Capability
- High Surge Capacity
- UL Flammability Classification 94V-O
- Superior Lot To Lot Consistency
- Ultra Fast Recovery Time
- High Voltage

MAXIMUM RATINGS: (T_C=25°C unless otherwise noted)

	SYMBOL	CUDD8-02	CUDD8-04	CUDD8-08	UNITS
Peak Repetitive Reverse Voltage	V _{RRM}	200	400	800	V
DC Blocking Voltage	V _R	200	400	800	V
RMS Reverse Voltage	V _{R(RMS)}	140	280	560	V
Average Forward Current (T _C =100°C)	I _O		8.0		A
Peak Forward Surge Current, tp=8.3ms	I _{FSM}		125		A
Operating and Storage Junction Temperature	T _J , T _{stg}		-65 to +150		°C
Typical Thermal Resistance	θ _{JC}		3.0		°C/W
Typical Thermal Resistance	θ _{JA}		50		°C/W

ELECTRICAL CHARACTERISTICS: (T_C=25°C unless otherwise noted)

SYMBOL	TEST CONDITIONS	CUDD8-02		CUDD8-04		CUDD8-08		UNITS
		TYP	MAX	TYP	MAX	TYP	MAX	
I _R	V _R =Rated V _{RRM}	-	5.0	-	10	-	10	μA
I _R	V _R =Rated V _{RRM} , T _C = 150°C	-	250	-	500	-	500	μA
V _F	I _F =8.0A	-	0.975	-	1.3	-	1.5	V
V _F	I _F =8.0A, T _C = 150°C	-	0.895	-	1.1	-	1.2	V
t _{rr}	I _F =0.5A, I _R =1.0A, I _{rr} =0.25A	-	25	-	25	-	50	ns
C _J	V _R =10V, f=1.0MHz	-	60	-	60	-	60	pF

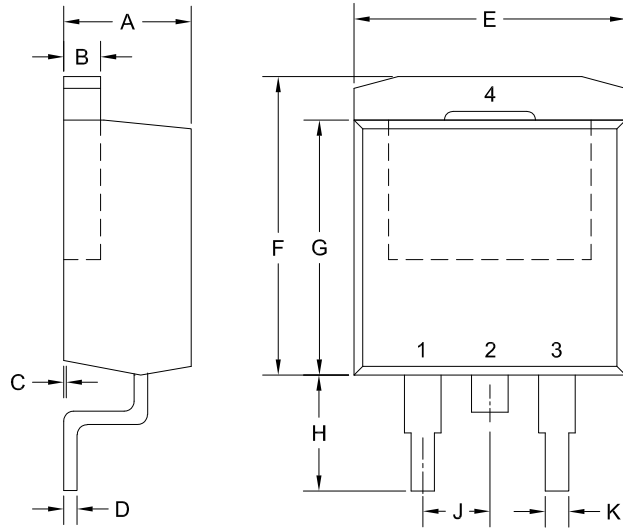
R5 (31-August 2016)

CUDD8-02
 CUDD8-04
 CUDD8-08

**SURFACE MOUNT SILICON
 ULTRA FAST
 RECOVERY RECTIFIERS
 8.0 AMP, 200 THRU 800 VOLT**



D²PAK CASE - MECHANICAL OUTLINE



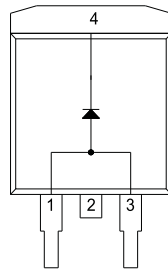
R3

LEAD CODE:

- 1) Anode
 - 2) Cathode
 - 3) Anode
 - 4) Cathode
- Pin 2 is common to the tab (4).

MARKING:

FULL PART NUMBER



SYMBOL	DIMENSIONS			
	INCHES		MILLIMETERS	
	MIN	MAX	MIN	MAX
A	0.163	0.189	4.14	4.80
B	0.045	0.055	1.14	1.40
C	0.000	0.010	0.00	0.25
D	0.012	0.028	0.30	0.70
E	0.386	0.415	9.80	10.55
F	0.378	0.417	9.60	10.60
G	0.335	0.358	8.50	9.10
H	0.188	0.236	4.78	6.00
J	0.093	0.108	2.35	2.75
K	0.030	0.035	0.75	0.90

D2PAK (REV: R3)

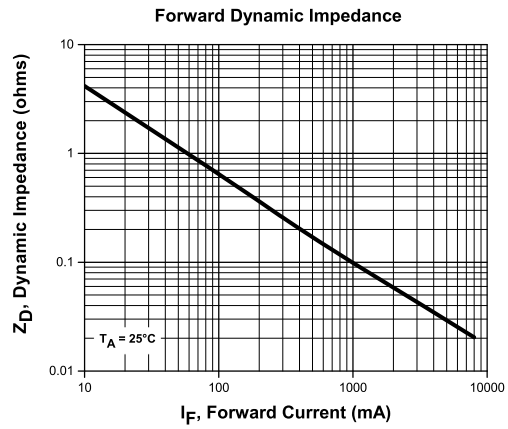
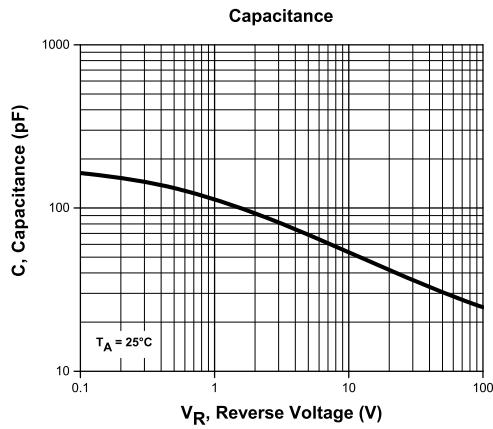
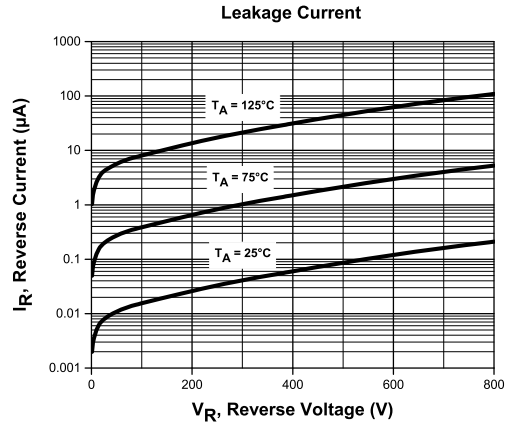
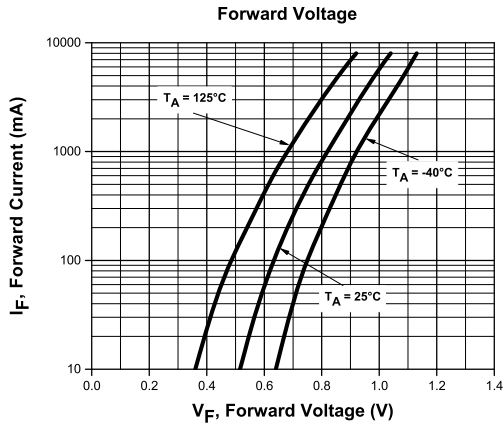
R5 (31-August 2016)

CUDD8-02
 CUDD8-04
 CUDD8-08

SURFACE MOUNT SILICON
 ULTRA FAST
 RECOVERY RECTIFIERS
 8.0 AMP, 200 THRU 800 VOLT



TYPICAL ELECTRICAL CHARACTERISTICS



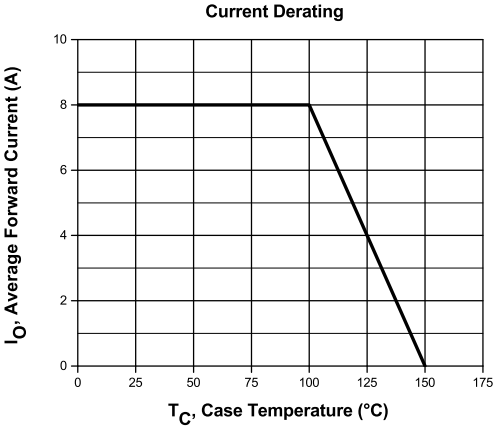
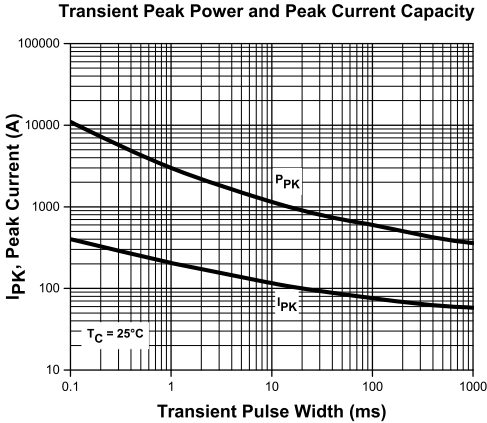
R5 (31-August 2016)

CUDD8-02
 CUDD8-04
 CUDD8-08

**SURFACE MOUNT SILICON
 ULTRA FAST
 RECOVERY RECTIFIERS
 8.0 AMP, 200 THRU 800 VOLT**



TYPICAL ELECTRICAL CHARACTERISTICS



R5 (31-August 2016)

OUTSTANDING SUPPORT AND SUPERIOR SERVICES



PRODUCT SUPPORT

Central's operations team provides the highest level of support to insure product is delivered on-time.

- Supply management (Customer portals)
- Inventory bonding
- Consolidated shipping options
- Custom bar coding for shipments
- Custom product packing

DESIGNER SUPPORT/SERVICES

Central's applications engineering team is ready to discuss your design challenges. Just ask.

- Free quick ship samples (2nd day air)
- Online technical data and parametric search
- SPICE models
- Custom electrical curves
- Environmental regulation compliance
- Customer specific screening
- Up-screening capabilities
- Special wafer diffusions
- PbSn plating options
- Package details
- Application notes
- Application and design sample kits
- Custom product and package development

REQUESTING PRODUCT PLATING

1. If requesting Tin/Lead plated devices, add the suffix " TIN/LEAD" to the part number when ordering (example: 2N2222A TIN/LEAD).
2. If requesting Lead (Pb) Free plated devices, add the suffix " PBFREE" to the part number when ordering (example: 2N2222A PBFREE).

CONTACT US

Corporate Headquarters & Customer Support Team

Central Semiconductor Corp.
145 Adams Avenue
Hauppauge, NY 11788 USA
Main Tel: (631) 435-1110
Main Fax: (631) 435-1824
Support Team Fax: (631) 435-3388
www.centrasemi.com

Worldwide Field Representatives:
www.centrasemi.com/wwreps

Worldwide Distributors:
www.centrasemi.com/wwdistributors

For the latest version of Central Semiconductor's **LIMITATIONS AND DAMAGES DISCLAIMER**, which is part of Central's Standard Terms and Conditions of sale, visit: www.centrasemi.com/terms