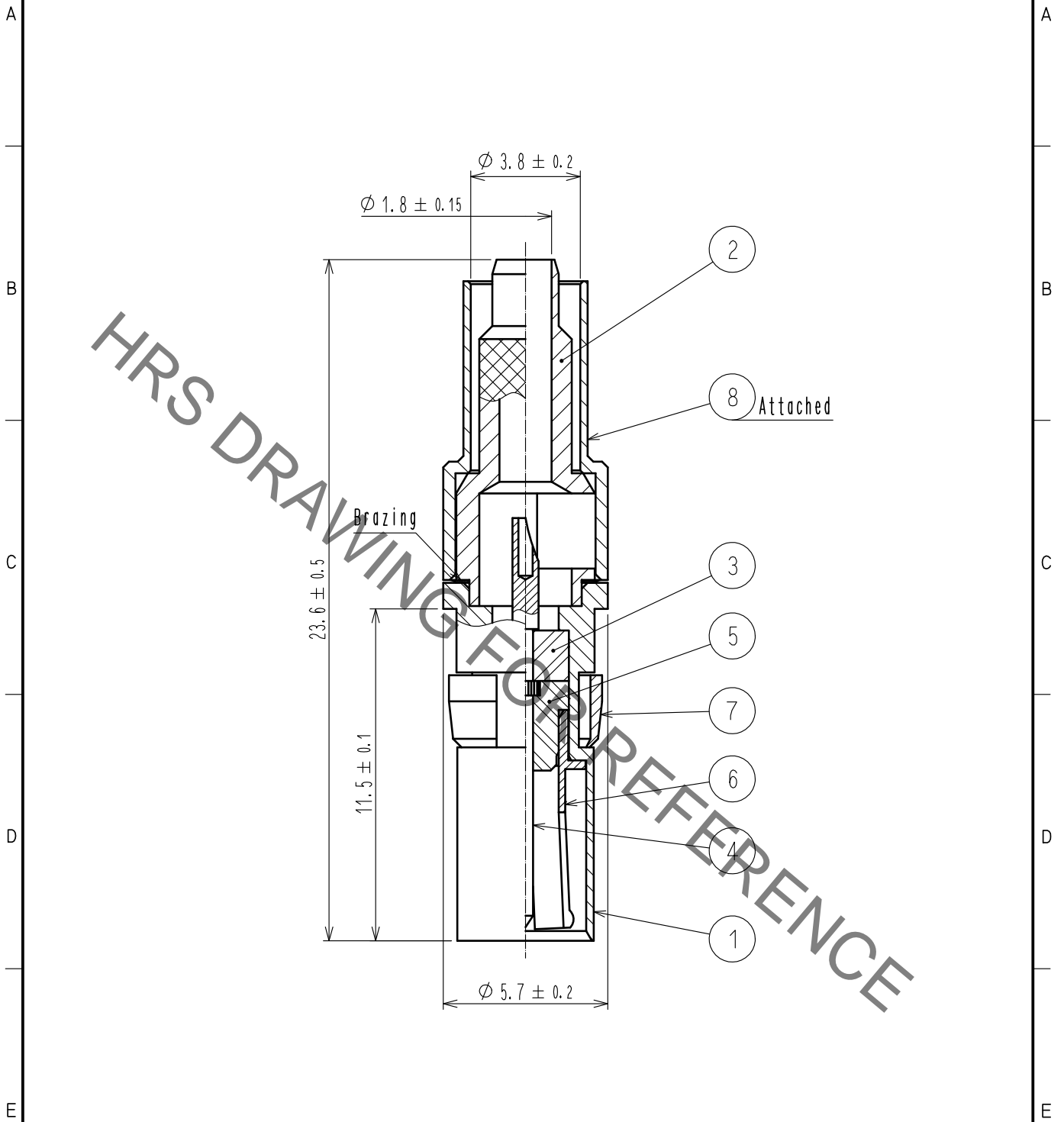


Aug.1.2022 Copyright 2022 HIROSE ELECTRIC CO., LTD. All Rights Reserved.
 In case of consideration for using Automotive equipment / device which demand high reliability, kindly contact our sales window correspondents.

ASSEMBLY TOOL
 APPLICABLE OUTER CONDUCTOR CRIMPING TOOL : HT303/UM.MSS-T-1 (1.5 HOLE)



4	PHOSPHOR BRONZE	GOLD PLATING	8	BRASS	GOLD PLATING
3	PTFE		7	BERYLLIUM COPPER	NICKEL PLATING
2	BRASS	GOLD PLATING	6	PHOSPHOR BRONZE	GOLD PLATING
1	BRASS	GOLD PLATING	5	PTFE	
NO.	MATERIAL	FINISH . REMARKS	NO.	MATERIAL	FINISH . REMARKS

UNITS mm		SCALE 5 : 1	COUNT 	DESCRIPTION OF REVISIONS	DESIGNED	CHECKED	DATE
HRS HIROSE ELECTRIC CO., LTD.		APPROVED : NK. NINOMIYA 20220315	DRAWING NO.	EDC-028896-40-00			
		CHECKED : NK. NINOMIYA 20220315	PART NO.	P072-P-1.5C-1A(40)			
		DESIGNED : MT. KANEKO 20220315	CODE NO.	CL0330-0152-5-40			
		DRAWN : YK. MITSUISHI 20220315					1/1