

GI1104

SINTERED GLASS JUNCTION FAST EFFICIENT RECTIFIER

VOLTAGE: 200V

CURRENT: 2.0A



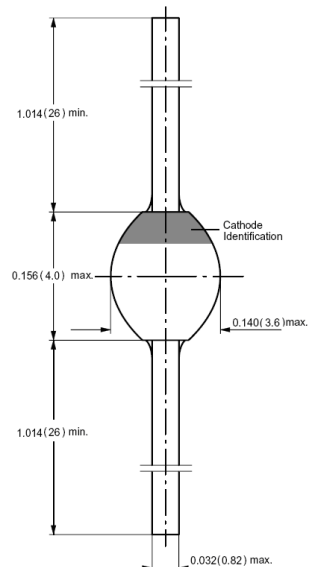
FEATURE

Glass passivated
Superfast recovery time for high efficiency
Low forward voltage, high current capability
Low leakage
High surge capability

MECHANICAL DATA

Case: SOD-57 sintered glass case
Terminal: Plated axial leads solderable per MIL-STD 202E, method 208C
Polarity: color band denotes cathode end
Mounting position: any

SOD-57



Dimensions in inches and (millimeters)

MAXIMUM RATINGS AND ELECTRICAL CHARACTERISTICS

(single-phase, half-wave, 60HZ, resistive or inductive load rating at 25°C, unless otherwise stated)

	SYMBOL	GI1104	units
Maximum Recurrent Peak Reverse Voltage	V_{RRM}	200	V
Maximum RMS Voltage	V_{RMS}	140	V
Maximum DC blocking Voltage	V_{DC}	200	V
Maximum Average Forward Rectified Current 3/8" lead length at $T_a=55^\circ\text{C}$	I_{FAV}	2.0	A
Peak Forward Surge Current 8.3ms single half sine-wave superimposed on rated load	I_{FSM}	50	A
Maximum Forward Voltage at Forward Current 1.0A and 25°C	V_F	1.25	V
Maximum DC Reverse Current at At rated DC Blocking Voltage	I_R	10.0 200	μA
Maximum Reverse Recovery Time (Note 1)	T_{rr}	50	nS
Typical Junction Capacitance (Note 2)	C_j	45.0	pF
Typical Thermal Resistance (Note 3)	$R_{th}(ja)$	65.0	$^\circ\text{C}/\text{W}$
Storage and Operating Junction Temperature	T_{stg}, T_j	-65 to +150	$^\circ\text{C}$

Note:
1. Reverse Recovery Condition $I_f = 0.5\text{A}$, $I_r = 1.0\text{A}$, $I_{rr} = 0.25\text{A}$
2. Measured at 1.0 MHz and applied reverse voltage of 4.0Vdc
3. Thermal Resistance from Junction to Ambient at 3/8" lead length and mounted on P.C. B. with 0.5×0.5" copper pads

RATINGS AND CHARACTERISTIC CURVES GI1104

FIG. 1 - MAXIMUM FORWARD CURRENT DERATING CURVE

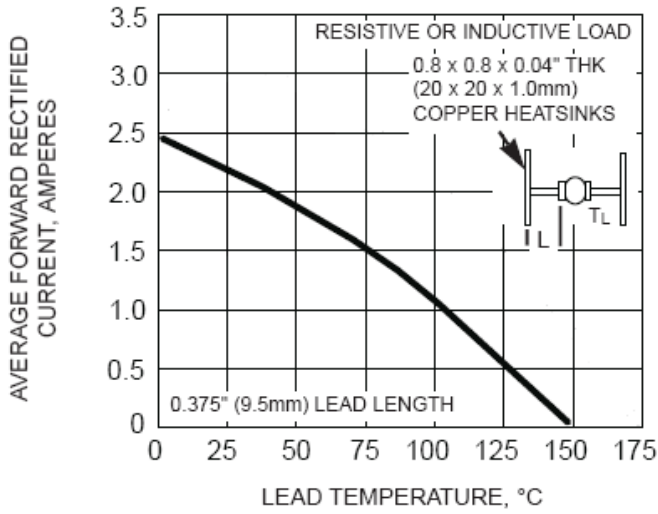


FIG. 2 - MAXIMUM NON-REPETITIVE PEAK FORWARD SURGE CURRENT

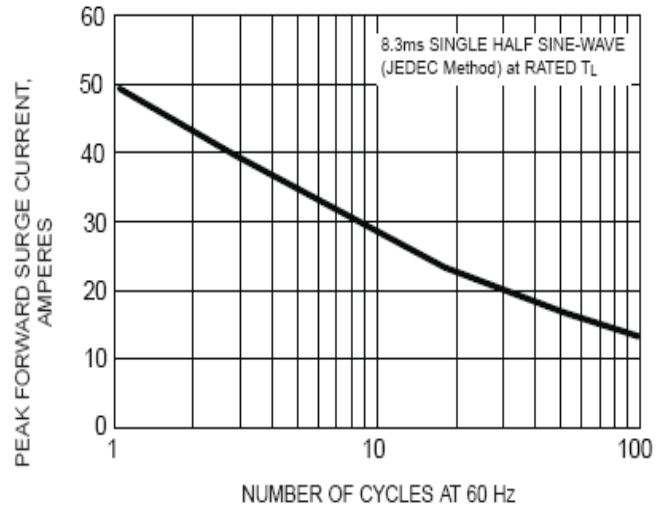


FIG. 3 - TYPICAL INSTANTANEOUS FORWARD CHARACTERISTICS

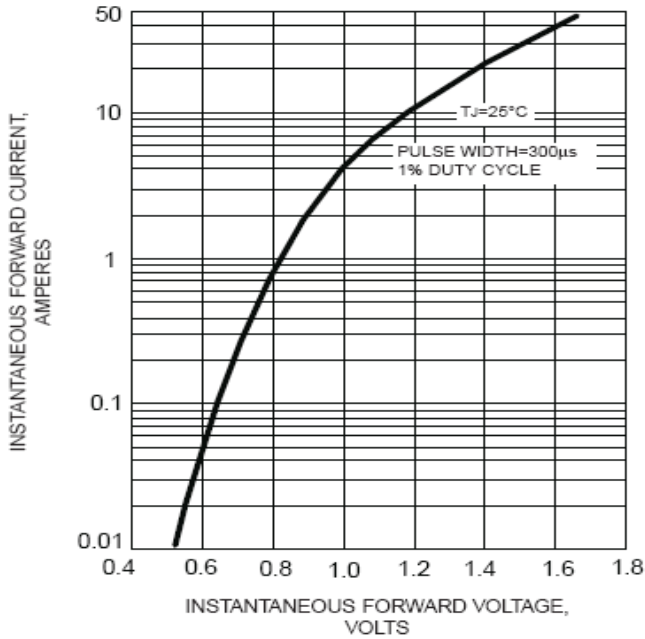


FIG. 4 - TYPICAL REVERSE LEAKAGE CHARACTERISTICS

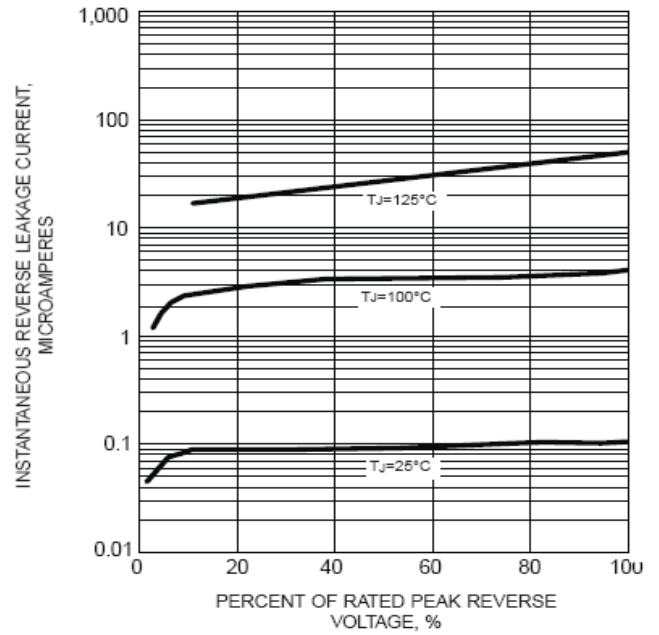


FIG. 5 - TYPICAL JUNCTION CAPACITANCE

