

Zener Diodes

PTZ3.6B - PTZ36B

Features

- Ideal for automated placement
- Low Zener impedance
- RoHS compliant with Halogen-free



Mechanical Data

- Case: SMA molded plastic
- Molding compound, UL flammability classification rating 94V-0
- Polarity: Color band denotes cathode end

Maximum Ratings (@T_A = 25°C unless otherwise specified)

Parameter	Symbol	Value	Unit
Power dissipation	P _D	1.0	W
Junction temperature	T _J	-55 ~ +150	°C
Storage temperature range	T _{STG}	-55 ~ +150	°C

Zener Diodes

PTZ3.6B - PTZ36B

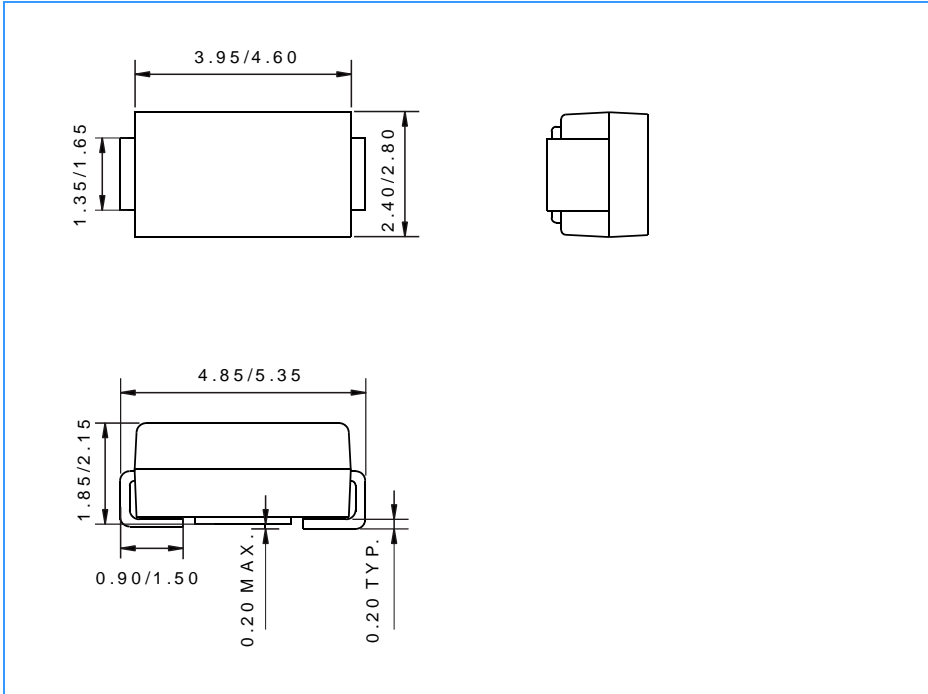
Electrical Characteristics (@T_A = 25°C unless otherwise specified)

TYP.	Marking	Zener voltage		Test current	Reverse current	
		V _Z (V)		I _{ZT}	I _R (μA)	
		Min	Max	mA	Max	V _R (V)
PTZ3.6B	Z3.6B	3.6	4.0	40	60	1.0
PTZ3.9B	Z3.9B	3.9	4.4	40	40	1.0
PTZ4.3B	Z4.3B	4.3	4.8	40	20	1.0
PTZ4.7B	Z4.7B	4.7	5.2	40	20	1.0
PTZ5.1B	Z5.1B	5.1	5.7	40	20	1.0
PTZ5.6B	Z5.6B	5.6	6.3	40	20	1.5
PTZ6.2B	Z6.2B	6.2	7.0	40	20	3.0
PTZ6.8B	Z6.8B	6.8	7.7	40	20	3.5
PTZ7.5B	Z7.5B	7.5	8.4	40	20	4.0
PTZ8.2B	Z8.2B	8.2	9.3	40	20	5.0
PTZ9.1B	Z9.1B	9.1	10.2	40	20	6.0
PTZ10B	Z10B	10.0	11.2	40	10	7.0
PTZ11B	Z11B	11.0	12.3	20	10	8.0
PTZ12B	Z12B	12.0	13.5	20	10	9.0
PTZ13B	Z13B	13.3	15.0	20	10	10.0
PTZ15B	Z15B	14.7	16.5	20	10	11.0
PTZ16B	Z16B	16.2	18.3	20	10	12.0
PTZ18B	Z18B	18.0	20.3	20	10	13.0
PTZ20B	Z20B	20.0	22.4	20	10	15.0
PTZ22B	Z22B	22.0	24.5	10	10	17.0
PTZ24B	Z24B	24.0	27.6	10	10	19.0
PTZ27B	Z27B	27.0	30.8	10	10	21.0
PTZ30B	Z30B	30.0	34.0	10	10	23.0
PTZ33B	Z33B	33.0	37.0	10	10	25.0
PTZ36B	Z36B	36.0	40.0	10	10	27.0

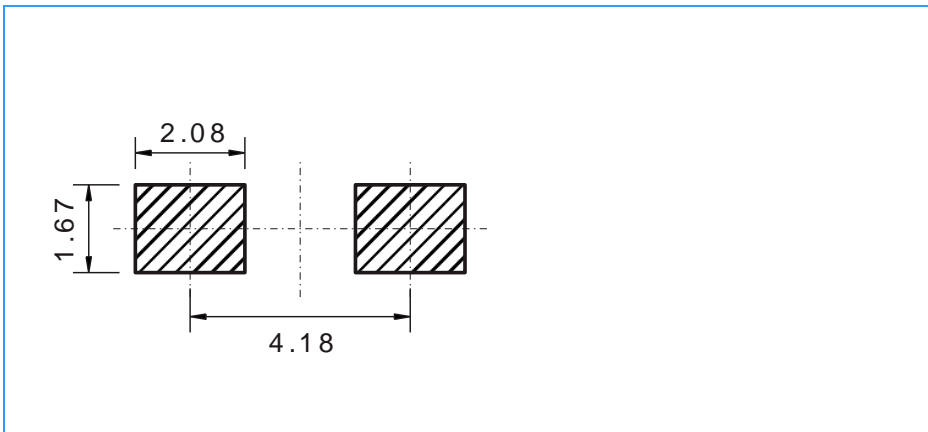
Zener Diodes

PTZ3.6B - PTZ36B

Package Outline Dimensions (Unit: mm)



Mounting Pad Layout (Unit: mm)



Ordering Information

Part Number	Package	Shipping Quantity
PTZ3.6B - PTZ36B	SMA	5000 / Tape & Reel