

RECOMMEND PCB LAYOUT  
GENERAL TOLERANCE ±0.05

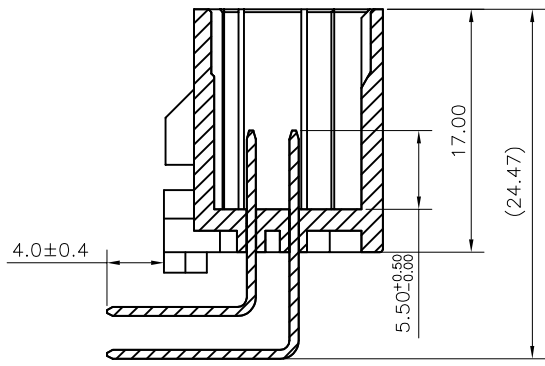
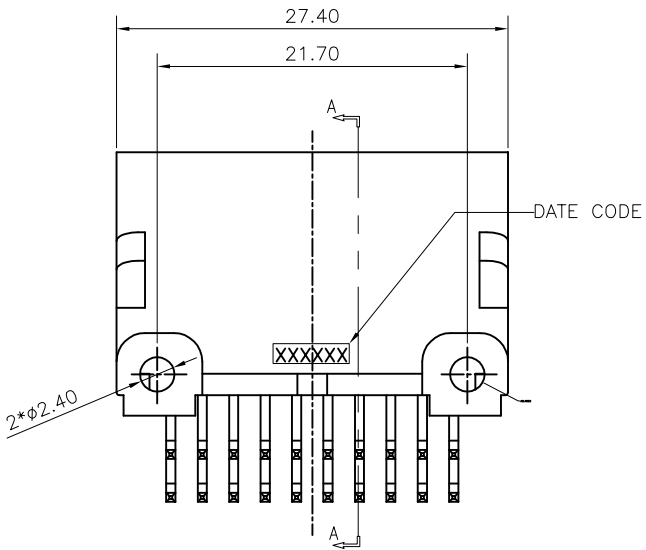
- NOTES:  
 1. MATERIAL:  
 1.1 MATERIAL IS DUPONT PBT SK602 GF15%  
 UL 94-HB,COLOR IS NATURAL.(WHITE)  
 1.2 CONTACT: BRASS C2680 3/4H  
 2. FINISH:  
 10u" Min. NICKEL PLATING OVERALL  
 50u" Min. Tin PLATING OVERALL  
 3. THE CAVITY,LOGO MAX HEIGHT 0.10mm ABOVE SURFACE.  
 THE TEXT HEIGHT IS ABOUT 1mm.  
 4. IF ANY DIMENSIONS OR DRAFT ANGLES WEREN'T MARKED,  
 PLS. REFER TO 3D DRAWING  
 5. RECOMMENDED SCREW:PAN-HEADED,  
 TAPPING SCREW OF DIA 3mm, LENGTH: SEE TABLE A  
 6. SPEC. PLS. REFER TO SPEC-91235-XXXX-001  
 7. PACKAGE PLS. REFER TO 91235-TB OR 91235-020XX-TRAY  
 8. PART NUMBER

91235-020 X X - CA1

NO OF CKT  
 PACKING  
 1:TUBE  
 2:TRAY  
 PLATING  
 3:PURE TIN(LEAD FREE)

8. DATE CODE 編碼原則:

91235-020XX-CA1  
 廠別代碼:  
 T=TW-台灣  
 D=DC-東莞  
 E=KS-昆山長江廠  
 K=KS-昆山青洲廠  
 G=CG-重慶  
 年分代碼:4=2014年  
 月份代碼:A(1月),B(2月)...  
 日期代碼:8=08號  
 廠別代碼:  
 重工品代碼:"&"\_"非重工品代碼為空白



SECTION A-A

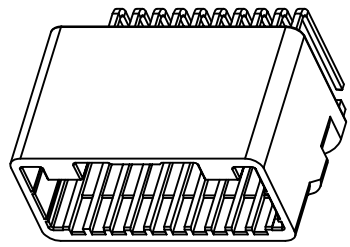
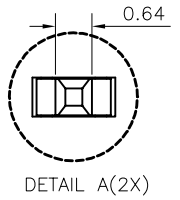
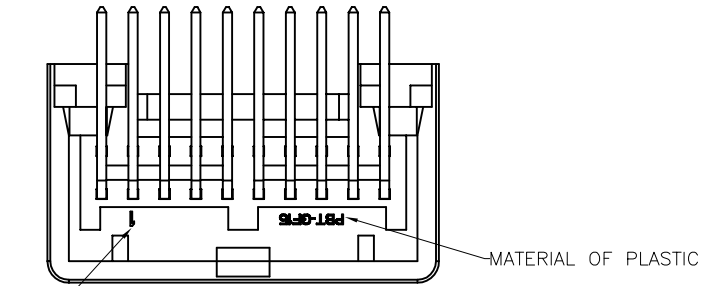


TABLE A

PCB THICKNESS (mm)	1.2	1.6
NOMINAL LENGTH OF SCREW(mm)	5	6



一般公差 <b>TOLERANCES</b> X ±0.5    .XX ±0.15 X ±0.25    .XXX ±0.10 ANGLES    ±2°		<b>宏致電子股份有限公司</b> <b>Aces Electronics Co.,Ltd.</b>	
檢驗尺寸標示 <b>SYMBOLS</b> ( ) INDICATE CLASSIFICATION DIMENSION ( ) MARK IS CRITICAL DIM. ( ) MARK IS MAJOR DIM.	品名 (TITLE) 2.2MM PITCH WTB WAFER CONN.	製圖 (DR) Lin Chia Cheng 17/08/14 審核 (CHKD) Lee Kuang En	核准 (APPD) Lee Kuang En
圖號 (DWG.NO) 91235-020XX-CA1	比例 (SCALE) 2:1	單位 (UNITS) mm	張數 (SHEET) 1 OF 1
表面處理 (FINISH)	圖號 (DWG.NO) 91235-020XX-CA1	單位 (UNITS) mm	尺寸 (SIZE) A4
		單位 (UNITS) mm	版本 (REV) D