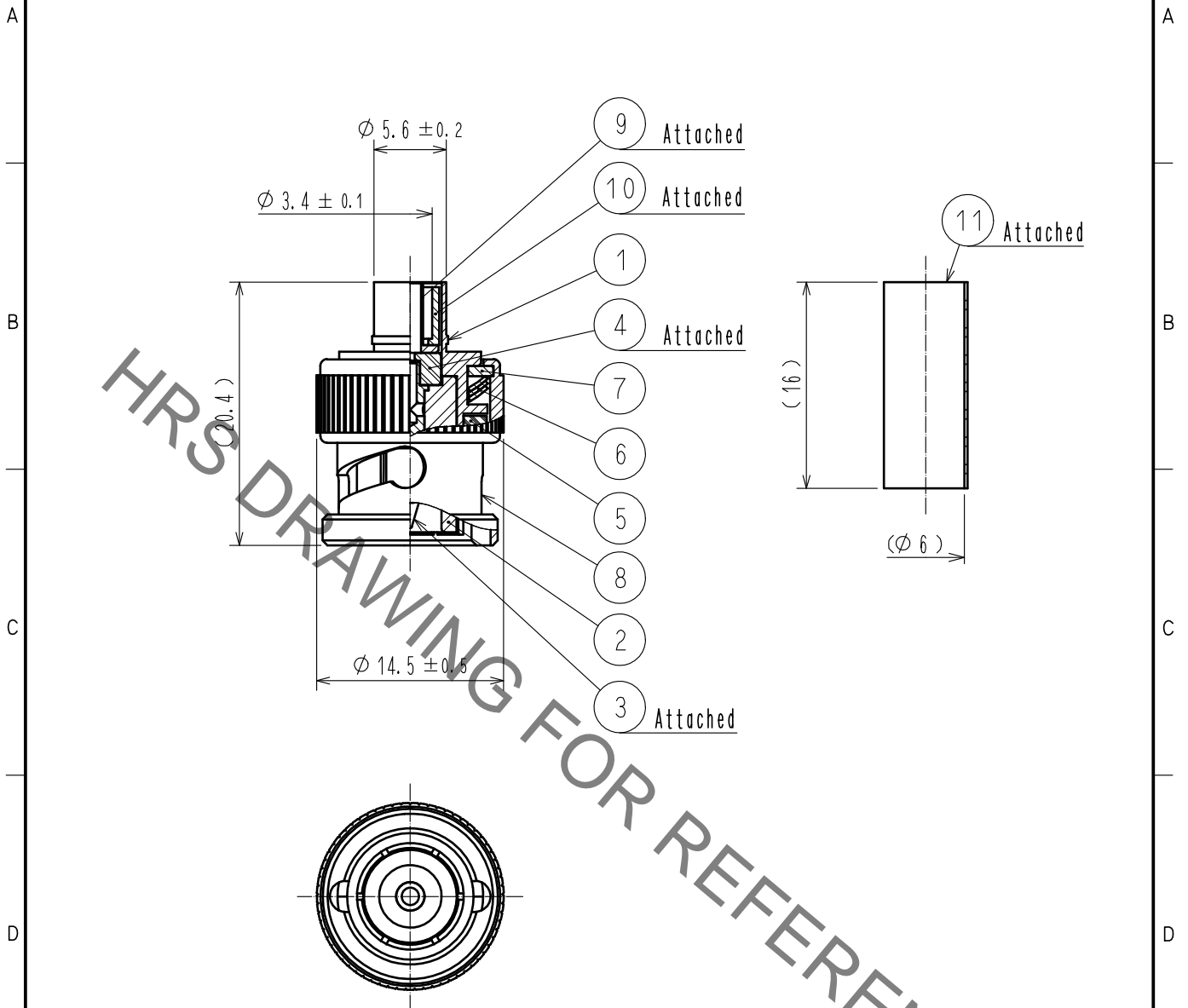


Aug.1.2022 Copyright 2022 HIROSE ELECTRIC CO., LTD. All Rights Reserved.
 In case of consideration for using Automotive equipment / device which demand high reliability, kindly contact our sales window correspondents.

【 CABLE ASSEMBLY TOOL 】 HT303/HRM-T-4 (58A/U HOLES)



6	BERYLLIUM COPPER	SILVER PLATING			
5	SILICONE RUBBER		11	POLYOLEFIN	HEAT SHRINK TUBING (BLACK)
4	PTFE		10	BRASS	NICKEL PLATING
3	BRASS	GOLD PLATING	9	BRASS	NICKEL PLATING
2	PTFE		8	BRASS	NICKEL PLATING
1	BRASS	NICKEL PLATING	7	BRASS	NICKEL PLATING
NO.	MATERIAL	FINISH . REMARKS	NO.	MATERIAL	FINISH . REMARKS

UNITS mm	SCALE 2 : 1	COUNT	DESCRIPTION OF REVISIONS	DESIGNED	CHECKED	DATE
HIROSE ELECTRIC CO., LTD.	APPROVED	·NK. NINOMIYA	20211008	DRAWING NO.	EDC-379564-00-00	
	CHECKED	·NK. NINOMIYA	20211008	PART NO.	BNC-P-1.5DV	
	DESIGNED	·MT. KANEKO	20211008	CODE NO.	CL0302-0005-0-00	
	DRAWN	·NK. OOSHIMA	20211008		1/1	