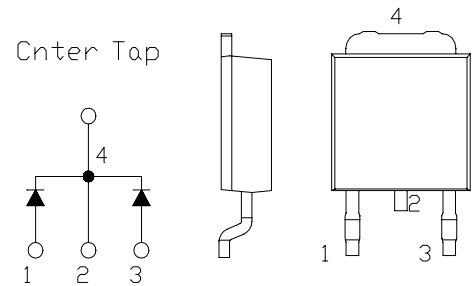


SBD Type : EA60QC10-F

OUTLINE DRAWING

FEATURES

- * TO-252AA Case, Surface Mount Device
- * Dual Diodes Cathode Common
- * Low Forward Voltage drop
- * Low Power Loss
- * High Surge Capability
- * 30 Volts thru 100 Volts Types Available
- * Packaged in 16mm Tape and Reel



Maximum Ratings

Approx Net Weight:0.30g

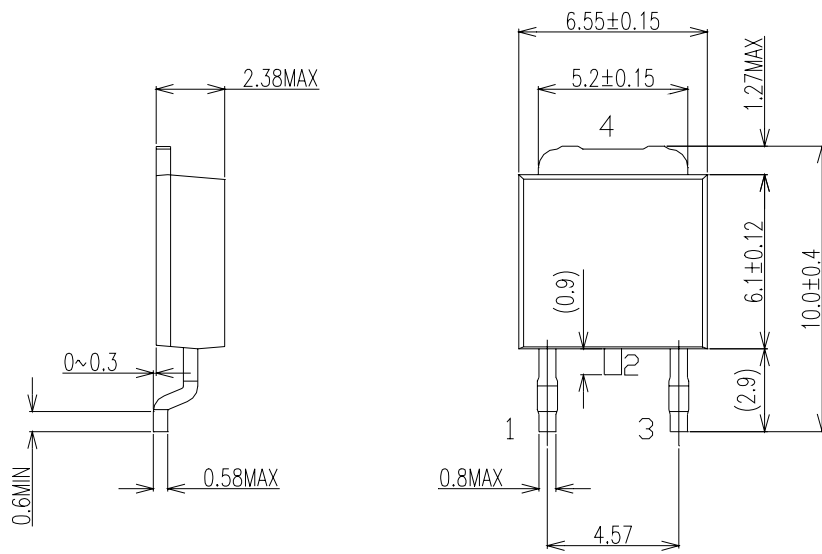
| Rating | | Symbol | EA60QC10-F | | | Unit |
|--------------------------------------|---------------------|--------------|---------------|---------------------------------------------|------------------------------------|-------------|
| Repetitive Peak Reverse Voltage | | V_{RRM} | 100 | | | V |
| Average Rectified Output Current | P.C.Board mounted * | I_O | 1.6 | $T_a=33^{\circ}C$ | 50Hz Full Sine Wave Resistive Load | A |
| | - | | 6.0 | $T_c=122^{\circ}C$ | | |
| RMS Forward Current | | $I_{F(RMS)}$ | 6.66 | | | A |
| Surge Forward Current | | I_{FSM} | 45 | 50Hz Full Sine Wave, 1cycle, Non-repetitive | | A |
| Operating Junction Temperature Range | | T_{jw} | - 40 to + 150 | | | $^{\circ}C$ |
| Storage Temperature Range | | T_{stg} | - 40 to + 150 | | | $^{\circ}C$ |

Electrical • Thermal Characteristics

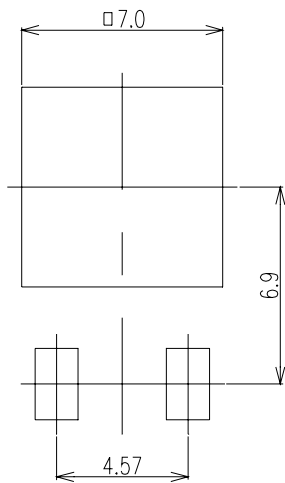
| Characteristics | | Symbol | Conditions | Min | Typ | Max | Unit |
|----------------------|---------------------|---------------|-------------------------------------------|-----|-----|------|---------------|
| Peak Reverse Current | | I_{RM} | $T_j=25^{\circ}C, V_{RM}=V_{RRM}$ per Arm | - | - | 1.0 | mA |
| Peak Forward Voltage | | V_{FM} | $T_j=25^{\circ}C, I_{FM}= 3A$ per Arm | - | - | 0.85 | V |
| Thermal Resistance | Junction to Ambient | $R_{th(j-a)}$ | P.C.Board mounted * | - | - | 80 | $^{\circ}C/W$ |
| | Junction to Case | $R_{th(j-c)}$ | - | - | - | 5 | $^{\circ}C/W$ |

* Print Land = 20x20 mm

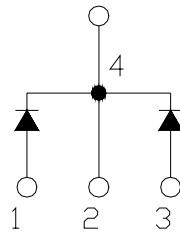
EA60QC10-F OUTLINE DRAWING (Dimensions in mm)



SOLDERING PAD



Center Tap



This datasheet has been downloaded from:

www.DatasheetCatalog.com

Datasheets for electronic components.