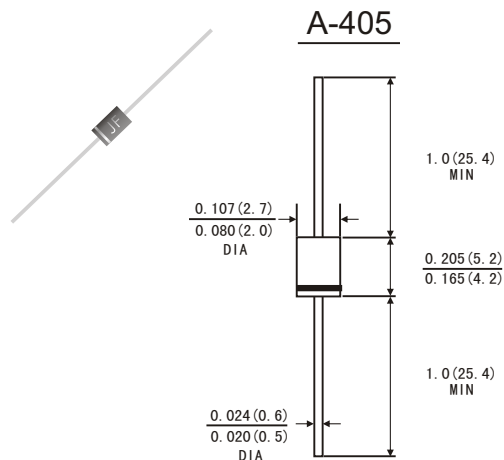


## FEATURES

- Plastic package has Underwriters Laboratory Flammability Classification 94V-0
- Low forward voltage drop, high efficiency
- High current capability
- High reliability
- Low forward voltage drop, high efficiency
- High temperature soldering guaranteed: 260°C/10 seconds at terminals
- Component in accordance to RoHS 2002/95/EC and WEEE 2002/96/EC

## MECHANICAL DATA

- *Case:* A-405 molded plastic body
- *Terminals:* Plated axial leads, solderable per MIL-STD-750, method 2026
- *Polarity:* Color band denotes cathode end
- *Mounting Position:* Any
- *Weight:* 0.008ounce, 0.23 gram



Dimensions in inches and (millimeters)

## MAXIMUM RATINGS AND ELECTRICAL CHARACTERISTICS

(Rating at 25°C ambient temperature unless otherwise specified. Single phase, half wave, 60Hz, resistive or inductive load. For capacitive load, derate current by 20%.)

	Symbols	RL 101F	RL 102F	RL 103F	RL 104F	RL 105F	RL 106F	RL 107F	Units
Maximum Recurrent Peak Reverse Voltage	VRRM	50	100	200	400	600	800	1000	Volts
Maximum RMS Voltage	VRMS	35	70	140	280	420	560	700	Volts
Maximum DC Blocking Voltage	VDC	50	100	200	400	600	800	1000	Volts
Maximum Average Forward Rectified Current 0.375"(9.5mm)lead length at TA=55°C	IAV	1.0							Amps
Peak Forward Surge Current 8.3ms single half sine-wave superimposed on rated load (JEDEC method)	IFSM	30							Amps
Maximum Instantaneous Forward Voltage at 1.0 A	VF	1.3							Volts
Maximum DC Reverse Current at rated DC blocking voltage	TA=25°C	5.0							µA
	TA=100°C	100							
Maximum reverse recovery time(Note1)	trr	150				250	500	ns	
Typical junction capacitance(Note2)	CJ	15.0							pF
Operating junction and storage temperature range	TJ TSTG	-65 to +150							

Note: 1. Test conditions: IF=0.5A, IR=1.0A, IRR=0.25A.

2. Measured at 1MHz and applied reverse voltage of 4.0 Volts D.C.

# RATINGS AND CHARACTERISTIC CURVES RL101F THRU RL107F

FIG.1-TYPICAL FORWARD CURRENT DERATING CURVE

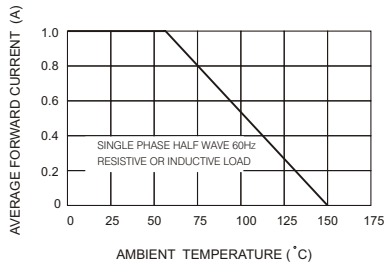


FIG.2-MAXIMUM NON-REPETITIVE FORWARD SURGE CURRENT

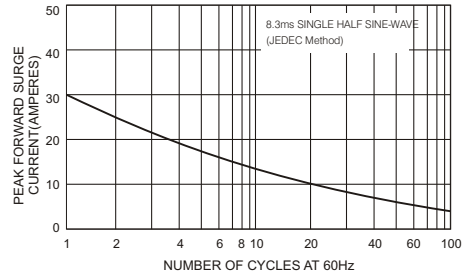


FIG.3-TYPICAL INSTANTANEOUS FORWARD CHARACTERISTICS

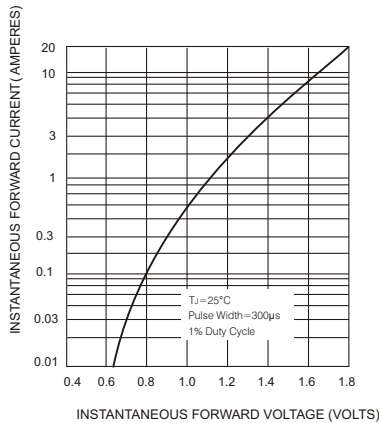


FIG.4-TYPICAL REVERSE CHARACTERISTICS

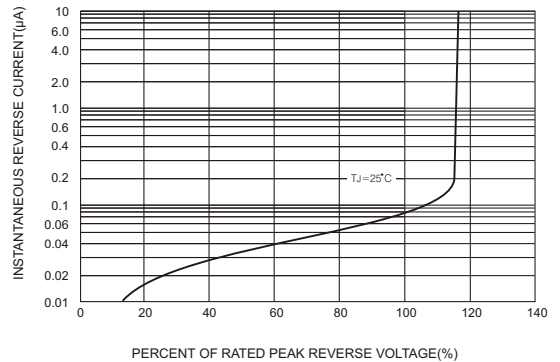


FIG.5-TYPICAL JUNCTION CAPACITANCE

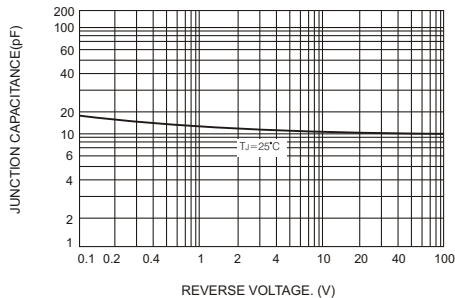


FIG.6-TEST CIRCUIT DIAGRAM AND REVERSE RECOVERY TIME CHARACTERISTIC

