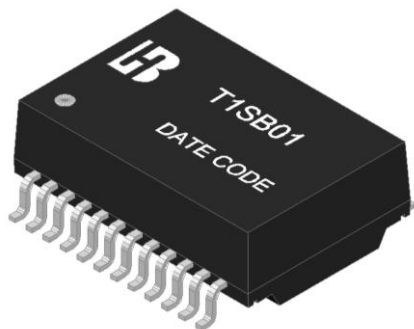


**Feature**



- Complying with IEEE 802.3an standard.
- Complying with ROHS & Halogen Free requirements.
- Operating temperature range: -40°C to +90°C.
- Storage temperature range: -40°C to +90°C.

**Electrical Specifications @ 25°C**

Part Number	Turns Ratio (±5%)		OCL (uH Min) @100KHz/0.1V	L.L (uH Max)	C <sub>ww</sub> (pF Max)	DCR (Ω Max)	HI-POT
	TX	RX					
T1SB01	1CT:1CT	1CT:1CT	100	0.5	28	1.0	AC1500V/1mA

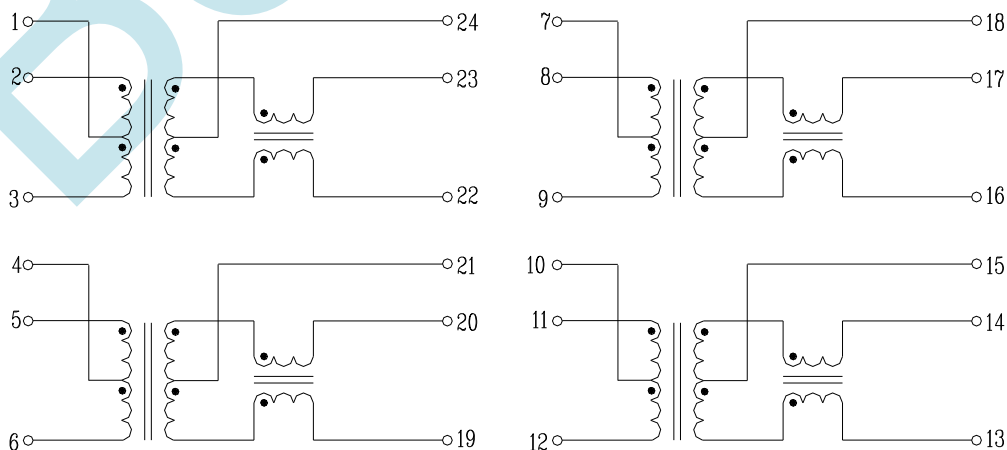
**Continue**

Part Number	Insertion Loss (dB Max)			Return Loss (dB Min)@ Load 100Ω		
	1-300MHz	400MHz	500MHz	1 ≤ f ≤ 40 MHz	40 < f ≤ 400 MHz	400 < f ≤ 500 MHz
T1SB01	-1.0	-1.5	-2.0	-18	-(18-10 log <sub>10</sub> (f/40))	-(8-30 log <sub>10</sub> (f/400))

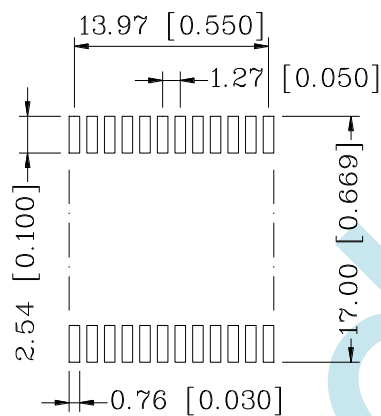
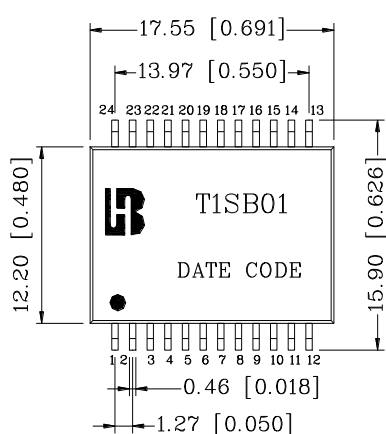
**Continue**

Part Number	Cross talk (dB Min)		DCMR (dB Min)	
	1-100 MHz	100-500 MHz	1-250 MHz	250-500 MHz
T1SB01	-40	-30	-30	-22

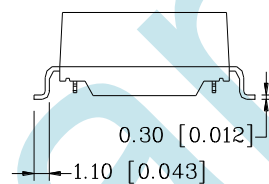
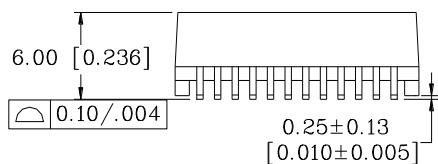
**Schematic**



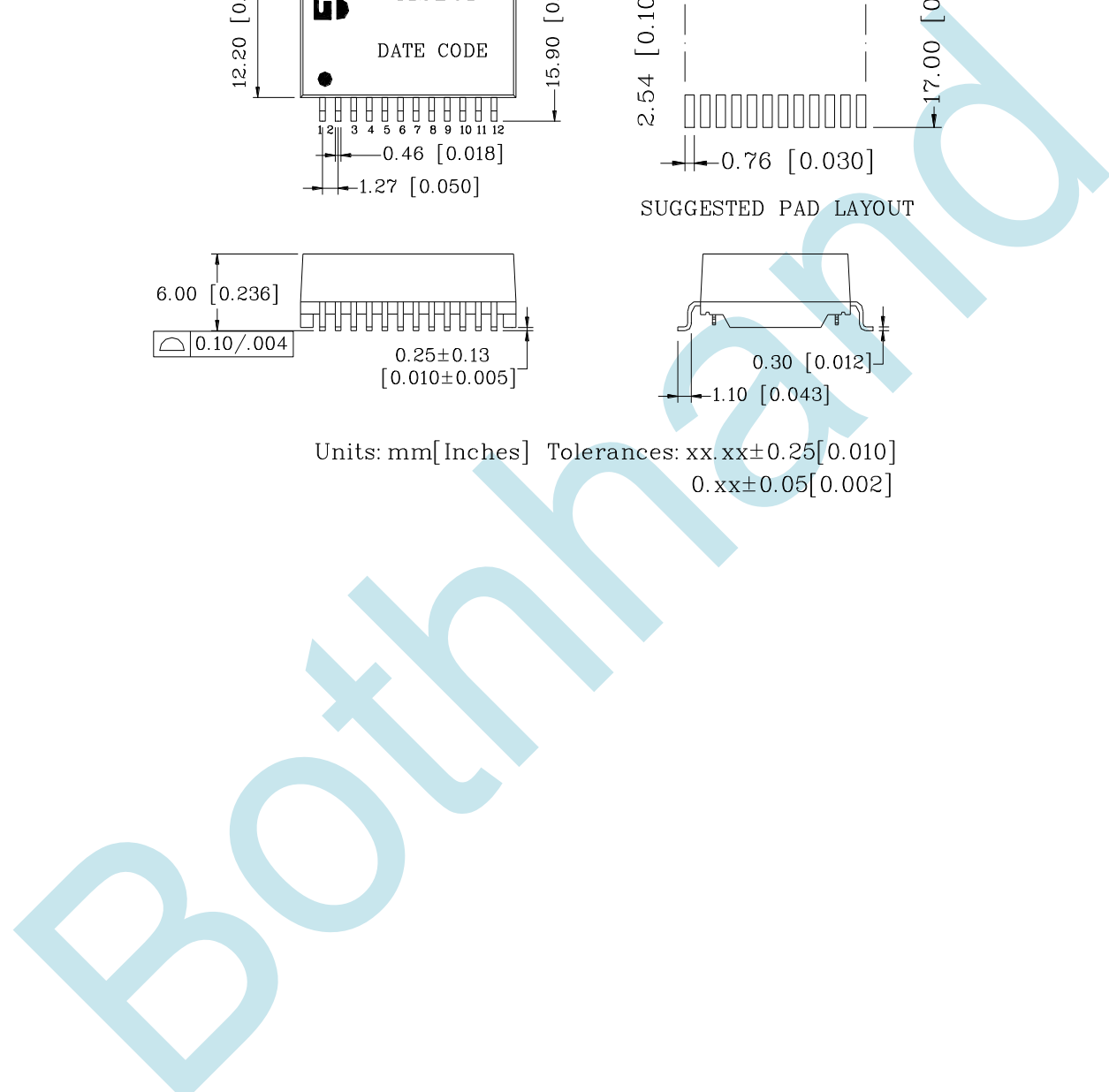
**Mechanical**



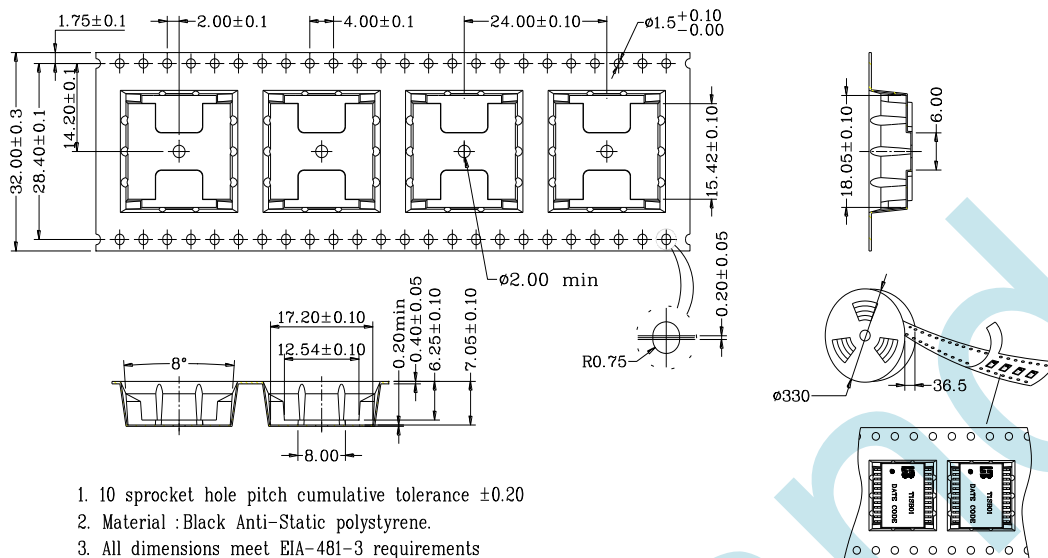
SUGGESTED PAD LAYOUT



Units: mm [Inches] Tolerances: xx.xx ± 0.25 [0.010]  
0.xx ± 0.05 [0.002]

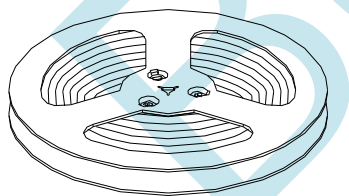


**REEL PACKAGE**

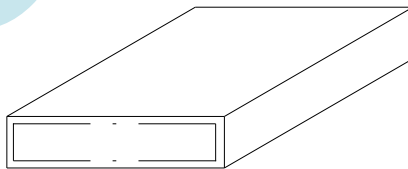


1. 10 sprocket hole pitch cumulative tolerance ±0.20
2. Material : Black Anti-Static polystyrene.
3. All dimensions meet EIA-481-3 requirements
4. Thickness : 0.40±0.05 mm
5. Component load per 13" reel : 350 pcs
6. Carrier camber is within 1 mm in 250 mm
7. Packing length per 22 reel : 29 Meters
8. Comply with Bothhand's <BHKP-WI-44-005> requirements

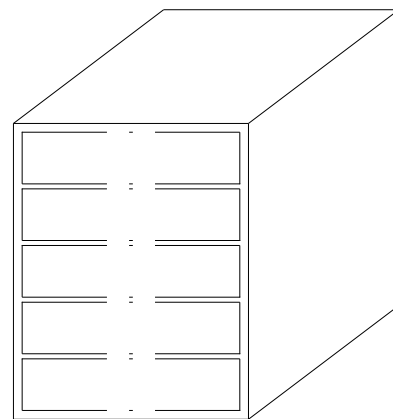
**CARTON PACKAGE**



REEL



INNER BOX: 347x347x82



OUTER CARTON: 375x375x470

1. 1 Reel=350PCS
2. 1 INNER BOX=1 Reel=350 PCS
3. 1 OUTER CARTON=5 INNER BOX=5\*350=1750 PCS