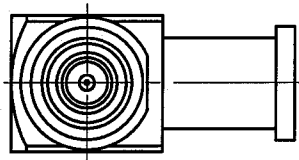
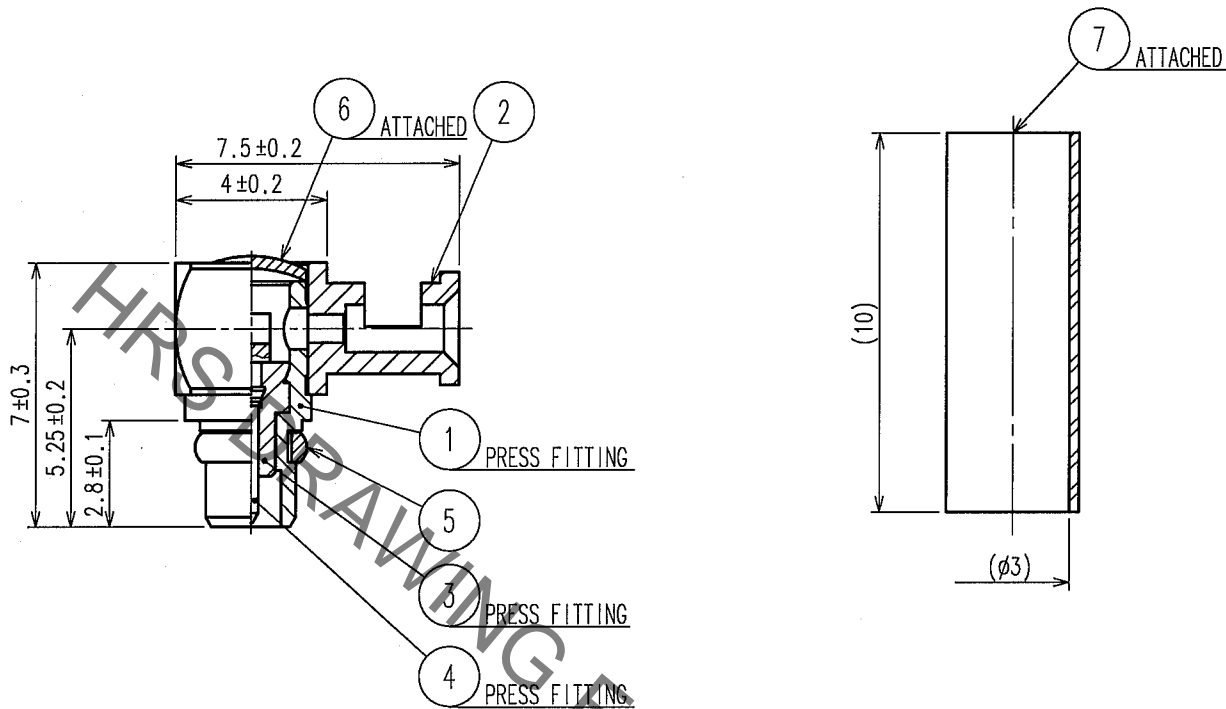


Aug.1.2022 Copyright 2022 HIROSE ELECTRIC CO., LTD. All Rights Reserved.  
 In case of consideration for using Automotive equipment / device which demand high reliability, kindly contact our sales window correspondents.

1		2			3			4		
COUNT	DESCRIPTION OF REVISIONS	BY	CHKD	DATE	COUNT	DESCRIPTION OF REVISIONS	BY	CHKD	DATE	
△				..	△				..	
△				..	△				..	
△				..	△				..	

ASSEMBLY TOOL : MMCX-LP/PR-MP



4	PHOSPHOR BRONZE	GOLD PLATING			
3	PTFE		7	POLYOLEFIN	HEAT SHRINKING TUBE
2	BRASS	GOLD PLATING	6	BRASS	GOLD PLATING
1	BRASS	GOLD PLATING	5	BERYLLIUM COPPER	GOLD PLATING
NO.	MATERIAL	FINISH, REMARKS	NO.	MATERIAL	FINISH, REMARKS

CODE NO. (OLD)	DRAWN	DESIGNED	CHECKED	APPROVED	RELEASED
	R.KIMURA	R.KIMURA	<i>M. Yamane</i>	<i>R. Mitani</i>	
	05. 08. 08	05. 08. 08	<i>05.08.09</i>	<i>05.08.09</i>	

 SCALE 5 : 1 UNITS mm	DRAWING NO. EDC4-303074-40 HIROSE ELECTRIC CO., LTD.	PART NO. MMCX-LP-066(40) CODE NO. CL339-0019-2-40	<table border="1"> <tr> <td>1</td> <td>1</td> </tr> </table>	1	1
1	1				

TO
RF