

Silicon NPN Power Transistors

BU2508A

DESCRIPTION

- With TO-3PN package
- High voltage
- High speed switching

APPLICATIONS

- For use in horizontal deflection circuits of colour TV receivers.

PINNING

PIN	DESCRIPTION
1	Base
2	Collector;connected to mounting base
3	Emitter

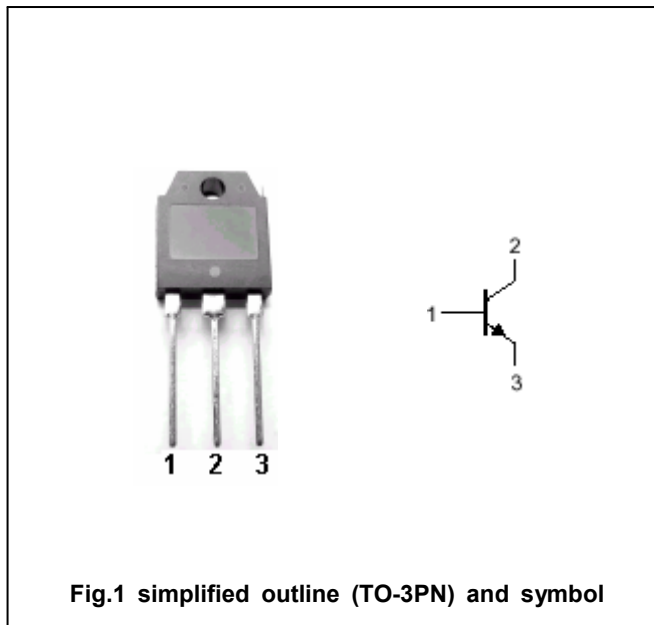


Fig.1 simplified outline (TO-3PN) and symbol

Absolute maximum ratings (Ta=25°C)

SYMBOL	PARAMETER	CONDITIONS	VALUE	UNIT
V _{CBO}	Collector-base voltage	Open emitter	1500	V
V _{CEO}	Collector-emitter voltage	Open base	700	V
V _{EBO}	Emitter-base voltage	Open collector	7.5	V
I _C	Collector current		8	A
I _{CM}	Collector current -peak		15	A
I _B	Base current		4	A
I _{BM}	Base current-peak		6	A
P _C	Collector power dissipation	T _C =25°C	125	W
T _j	Junction temperature		150	°C
T _{stg}	Storage temperature		-65~150	°C

Silicon NPN Power Transistors

BU2508A

CHARACTERISTICS

T_j=25°C unless otherwise specified

SYMBOL	PARAMETER	CONDITIONS	MIN	TYP.	MAX	UNIT
V _{CEO(SUS)}	Collector-emitter sustaining voltage	I _C =0.1A; I _B =0; L=25mH	700			V
V _{(BR)EBO}	Emitter-base breakdown voltage	I _E =1mA; I _C =0	7.5	13.5		V
V _{CEsat-1}	Collector-emitter saturation voltage	I _C =4.5A; I _B =1.1A			5.0	V
V _{CEsat-2}	Collector-emitter saturation voltage	I _C =4.5A; I _B =1.29A			1.0	V
V _{BEsat}	Base-emitter saturation voltage	I _C =4.5A; I _B =1.7A			1.3	V
I _{CES}	Collector cut-off current	V _{CE} =rated; V _{BE} =0 T _j =125°C			1.0 2.0	mA
I _{EBO}	Emitter cut-off current	V _{EB} =7.5V; I _C =0			1.0	mA
h _{FE-1}	DC current gain	I _C =0.1A; V _{CE} =5V	6	13	26	
h _{FE-2}	DC current gain	I _C =4.5A; V _{CE} =1V	4	5.5	7.5	
C _C	Collector capacitance	V _{CB} =10V; f=1MHz		80		pF

Silicon NPN Power Transistors

BU2508A

PACKAGE OUTLINE

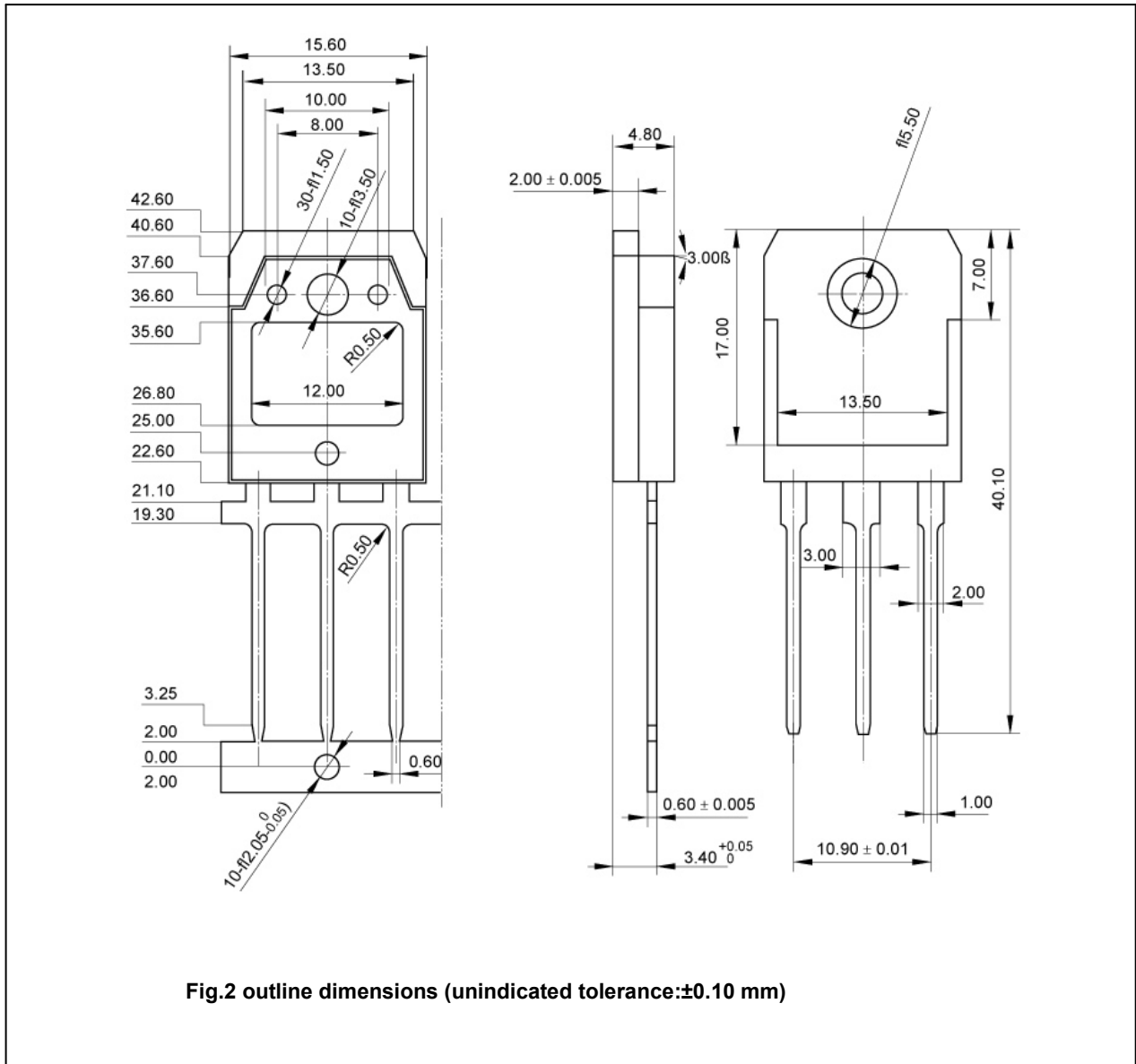


Fig.2 outline dimensions (unindicated tolerance: ± 0.10 mm)