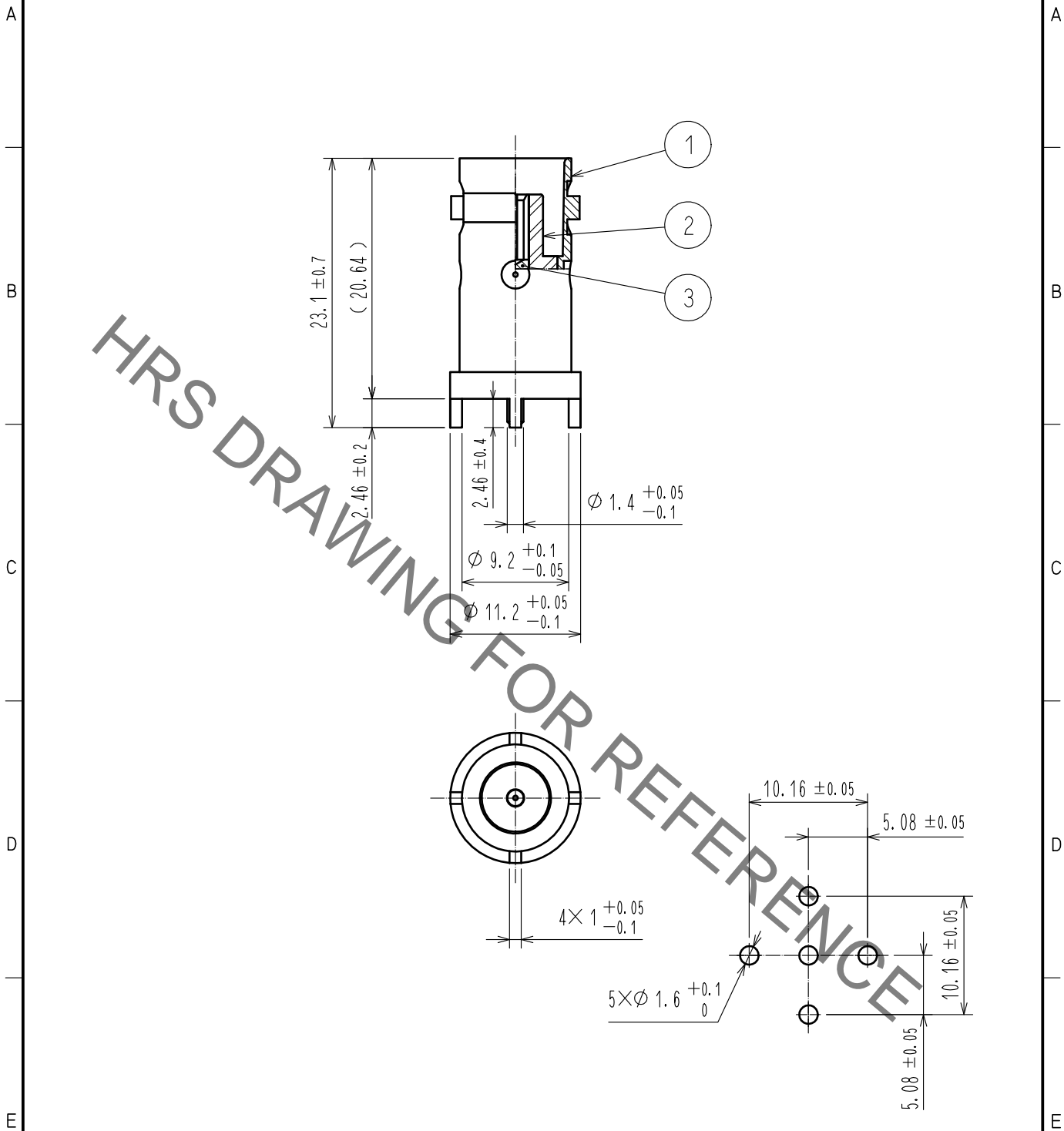


Aug. 1. 2022 Copyright 2022 HIROSE ELECTRIC CO., LTD. All Rights Reserved.
 In case of consideration for using Automotive equipment / device which demand high reliability, kindly contact our sales window correspondents.



RECOMMENDED PC BOARD HOLE PATTERN

| | | | | | | | | |
|---------------------------------|-------------------------|------------------|-----------|--------------------------|------------------|------------------|---------|------|
| 2 | PTFE | | | | | | | |
| 1 | BRASS | NICKEL PLATING | | 3 | BERYLLIUM COPPER | SILVER PLATING | | |
| NO. | MATERIAL | FINISH . REMARKS | | NO. | MATERIAL | FINISH . REMARKS | | |
| UNITS mm | | SCALE 2 : 1 | COUNT | DESCRIPTION OF REVISIONS | | DESIGNED | CHECKED | DATE |
| HIROSE ELECTRIC CO., LTD. | APPROVED : NK. NINOMIYA | | 20211102 | DRAWING NO. | | EDC-026020-40-00 | | |
| | CHECKED : NK. NINOMIYA | | 20211102 | PART NO. | | BNC-R-PC-7(40) | | |
| | DESIGNED : MT. KANEKO | | 20211102 | CODE NO. | | CL0302-0280-6-40 | | |
| | DRAWN : NK. OOSHIMA | | 20211102 | | | | | 1/1 |