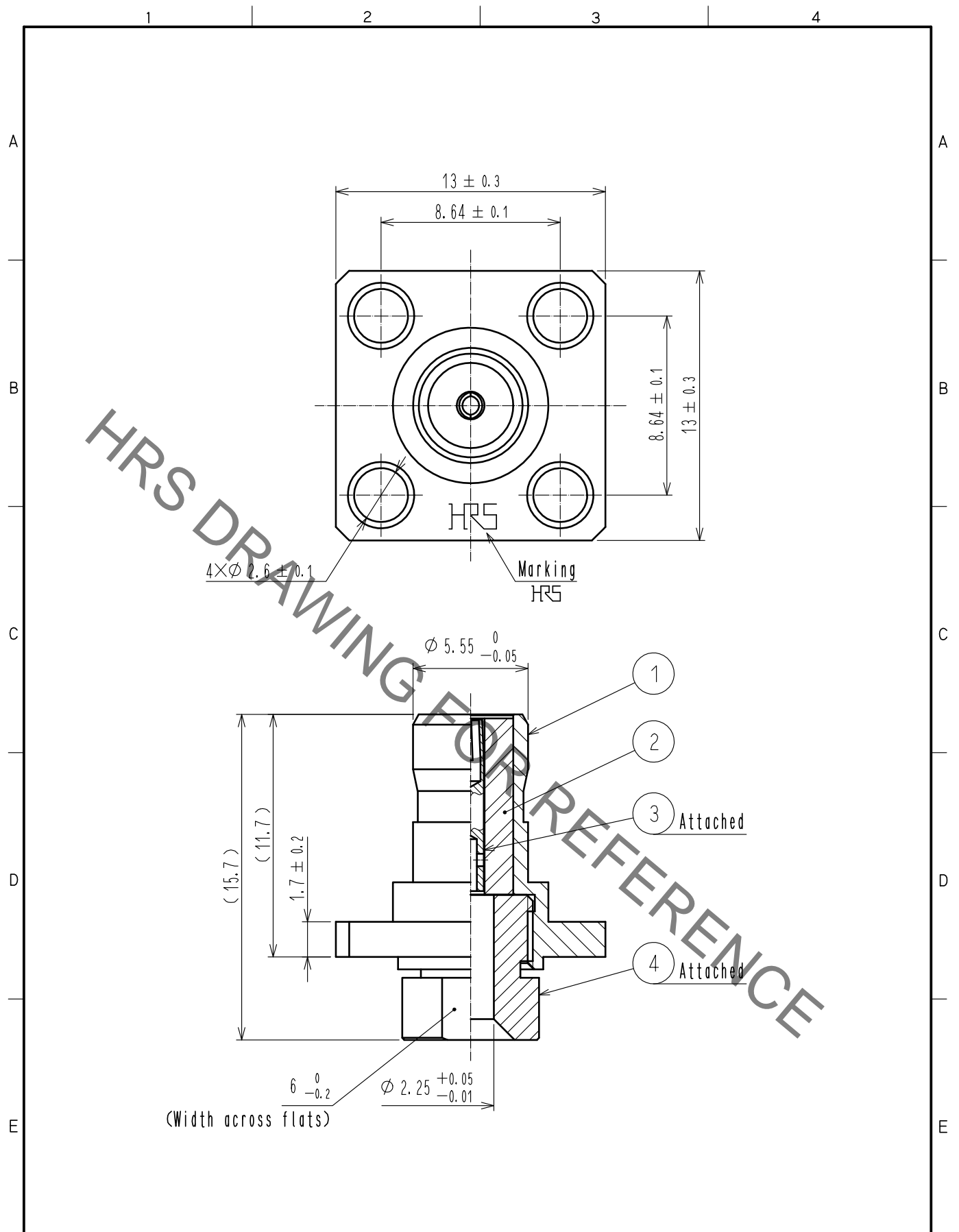


Aug.1.2022 Copyright 2022 HIROSE ELECTRIC CO., LTD. All Rights Reserved.  
 In case of consideration for using Automotive equipment / device which demand high reliability, kindly contact our sales window correspondents.



2	PTFE		4	STAINLESS STEEL	GOLD PLATING		
1	BRASS	GOLD PLATING	3	BERYLLIUM COPPER	GOLD PLATING		
NO.	MATERIAL	FINISH . REMARKS	NO.	MATERIAL	FINISH . REMARKS		
UNITS mm		SCALE 4 : 1	COUNT 	DESCRIPTION OF REVISIONS	DESIGNED	CHECKED	DATE
HIROSE ELECTRIC CO., LTD.	APPROVED	·NK. NINOMIYA	20220304	DRAWING NO.	EDC-007346-40-00		
	CHECKED	·NK. NINOMIYA	20220304	PART NO.	POB-PJ-85(40)		
	DESIGNED	·MT. KANEKO	20220304	CODE NO.	CL0326-0006-4-40		
	DRAWN	·NK. OOSHIMA	20220304		1/1		