

# SN54HC4724, SN74HC4724 8-BIT ADDRESSABLE LATCHES

SCLS166

D2684, DECEMBER 1982—REVISED JUNE 1989

- 8-Bit Parallel-Out Storage Register Performs Serial-to-Parallel Conversion with Storage
- Asynchronous Parallel Clear
- Active-High Decoder
- Enable Input Simplifies Expansion
- Expandable for N-Bit Applications
- Four Distinct Functional Modes
- Package Options Include Ceramic Chip Carriers and Standard Plastic and Ceramic 300-mil DIPs
- Dependable Texas Instruments Quality and Reliability

## description

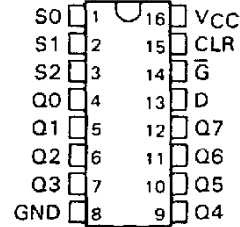
These 8-bit addressable latches are designed for general purpose storage applications in digital systems. Specific uses include working registers, serial-holding registers, and active-high decoders or demultiplexers. They are multifunctional devices capable of storing single-line data in eight addressable latches, and being a 1-of-8 decoder or demultiplexer with active-high outputs.

Four distinct modes of operation are selectable by controlling the clear (CLR) and enable ( $\bar{G}$ ) inputs as enumerated in the function table. In the addressable-latch mode, data at the data-in terminal is written into the addressed latch. The addressed latch will follow the data input with all unaddressed latches remaining in their previous states. In the memory mode, all latches remain in their previous states and are unaffected by the data or address inputs. To eliminate the possibility of entering erroneous data in the latches, enable  $\bar{G}$  should be held high (inactive) while the address lines are changing. In the 1-of-8 decoding or demultiplexing mode, the addressed output will follow the level of the D input with all other outputs low. In the clear mode, all outputs are low and unaffected by the address and data inputs.

The SN54HC4724 is characterized for operation over the full military temperature range of  $-55^{\circ}\text{C}$  to  $125^{\circ}\text{C}$ . The SN74HC4724 is characterized for operation from  $-40^{\circ}\text{C}$  to  $85^{\circ}\text{C}$ .

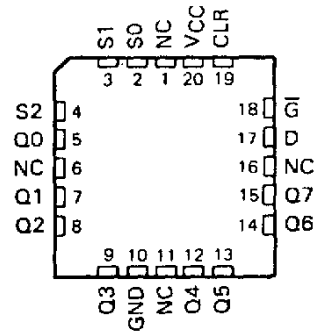
SN54HC4724 . . . J PACKAGE  
SN74HC4724 . . . N PACKAGE

(TOP VIEW)



SN54HC4724 . . . FK PACKAGE

(TOP VIEW)



NC—No internal connection

FUNCTION TABLE

INPUTS		OUTPUT OF ADDRESSED LATCH	EACH OTHER OUTPUT	FUNCTION
CLR	$\bar{G}$			
L	L	D	$Q_iO$	Addressable Latch
L	H	$Q_iO$	$Q_iO$	Memory
H	L	D	L	8-Line Demultiplexer
H	H	L	L	Clear

LATCH SELECTION TABLE

SELECT INPUTS			LATCH ADDRESSED
S2	S1	S0	
L	L	L	0
L	L	H	1
L	H	L	2
L	H	H	3
H	L	L	4
H	L	H	5
H	H	L	6
H	H	H	7

PRODUCTION DATA documents contain information current as of publication date. Products conform to specifications per the terms of Texas Instruments standard warranty. Production processing does not necessarily include testing of all parameters.

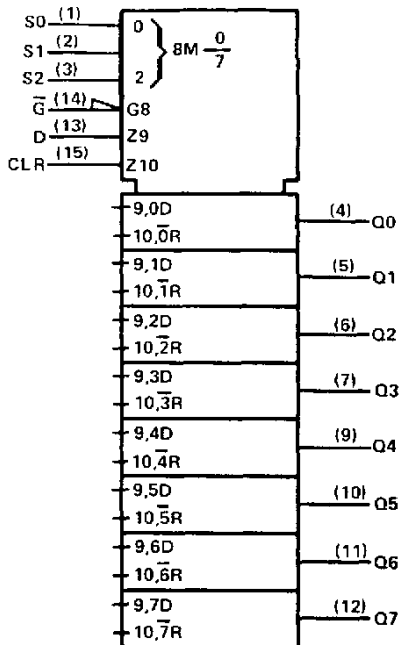
TEXAS  
INSTRUMENTS

POST OFFICE BOX 655012 • DALLAS, TEXAS 75265

Copyright © 1989, Texas Instruments Incorporated

# SN54HC4724, SN74HC4724 8-BIT ADDRESSABLE LATCHES

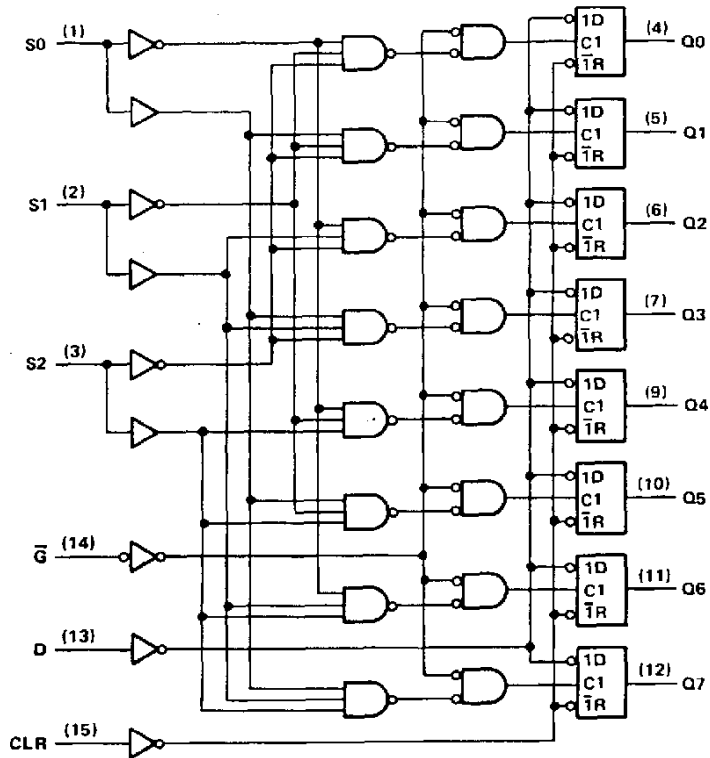
logic symbol†



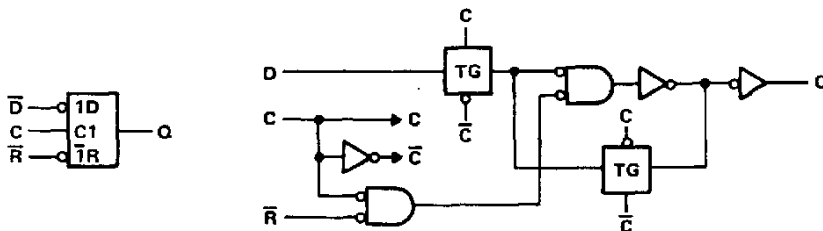
† This symbol is in accordance with ANSI/IEEE Std 91-1984 and IEC Publication 617-12.

Pin numbers shown are for J and N packages.

logic diagram (positive logic)



logic symbol and logic diagram, each internal latch (positive logic)



**SN54HC4724, SN74HC4724**  
**8-BIT ADDRESSABLE LATCHES**

**absolute maximum ratings over operating free-air temperature†**

Supply voltage, $V_{CC}$ .....	-0.5 V to 7 V
Input clamp current, $I_{IK}$ ( $V_I < 0$ or $V_I > V_{CC}$ ) .....	$\pm 20$ mA
Output clamp current, $I_{OK}$ ( $V_O < 0$ or $V_O > V_{CC}$ ) .....	$\pm 20$ mA
Continuous output current, $I_O$ ( $V_O = 0$ to $V_{CC}$ ) .....	$\pm 25$ mA
Continuous current through $V_{CC}$ or GND pins .....	$\pm 50$ mA
Lead temperature 1,6 mm (1/16 in) from case for 60 s: FK or J package .....	300°C
Lead temperature 1,6 mm (1/16 in) from case for 10 s: N package .....	260°C
Storage temperature range .....	-65°C to 150°C

† Stresses beyond those listed under "absolute maximum ratings" may cause permanent damage to the device. These are stress ratings only, and functional operation of the device at these or any other conditions beyond those indicated under "recommended operating conditions" is not implied. Exposure to absolute-maximum-rated conditions for extended periods may affect device reliability.

**recommended operating conditions**

		SN54HC4724			SN74HC4724			UNIT
		MIN	NOM	MAX	MIN	NOM	MAX	
$V_{CC}$	Supply voltage	2	5	6	2	5	6	V
$V_{IH}$	High-level input voltage	$V_{CC} = 2$ V	1.5		1.5			V
		$V_{CC} = 4.5$ V	3.15		3.15			
		$V_{CC} = 6$ V	4.2		4.2			
$V_{IL}$	Low-level input voltage	$V_{CC} = 2$ V	0	0.3	0	0.3		V
		$V_{CC} = 4.5$ V	0	0.9	0	0.9		
		$V_{CC} = 6$ V	0	1.2	0	1.2		
$V_I$	Input voltage	0		$V_{CC}$	0		$V_{CC}$	V
$V_O$	Output voltage	0		$V_{CC}$	0		$V_{CC}$	V
$t_t$	Input transition (rise and fall) times	$V_{CC} = 2$ V	0	1000	0	1000		ns
		$V_{CC} = 4.5$ V	0	500	0	500		
		$V_{CC} = 6$ V	0	400	0	400		
$T_A$	Operating free-air temperature	-55		125	-40		85	°C

**electrical characteristics over recommended operating free-air temperature range (unless otherwise noted)**

PARAMETER	TEST CONDITIONS	$V_{CC}$	$T_A = 25^\circ\text{C}$			SN54HC4724		SN74HC4724		UNIT
			MIN	TYP	MAX	MIN	MAX	MIN	MAX	
$V_{OH}$	$V_I = V_{IH}$ or $V_{IL}$ , $I_{OH} = -20 \mu\text{A}$	2 V	1.9	1.998		1.9		1.9	V	
		4.5 V	4.4	4.499		4.4		4.4		
		6 V	5.9	5.999		5.9		5.9		
	4.5 V	3.98	4.30		3.7		3.84			
$V_{OL}$	$V_I = V_{IH}$ or $V_{IL}$ , $I_{OH} = -4 \text{ mA}$	2 V		0.002	0.1			0.1	V	
		4.5 V		0.001	0.1			0.1		
		6 V		0.001	0.1			0.1		
	4.5 V		0.17	0.26			0.4	0.33		
$V_{OL}$	$V_I = V_{IH}$ or $V_{IL}$ , $I_{OL} = 5.2 \text{ mA}$	6 V		0.15	0.26			0.4	0.33	
		6 V		$\pm 0.1$	$\pm 100$			$\pm 1000$	$\pm 1000$	
$I_I$	$V_I = V_{CC}$ or 0	6 V							nA	
$I_{CC}$	$V_I = V_{CC}$ or 0, $I_O = 0$	6 V							80 $\mu\text{A}$	
$C_i$		2 to 6 V		3	10			10	10	pF



**SN54HC4724, SN74HC4724**  
**8-BIT ADDRESSABLE LATCHES**

timing requirements over recommended operating free-air temperature range (unless otherwise noted)

		V <sub>CC</sub>	T <sub>A</sub> = 25°C			SN54HC4724		SN74HC4724		UNIT
			MIN		MAX	MIN	MAX	MIN	MAX	
t <sub>w</sub>	Pulse duration	2 V	80			120			ns	
		4.5 V	16			24		20		
		6 V	14			20		17		
	$\overline{\text{G}}$ low	2 V	80			120		100		
		4.5 V	16			24		20		
		6 V	14			20		17		
t <sub>su</sub>	Setup time, data or address before $\overline{\text{G}}\uparrow$	2 V	75			115		95	ns	
		4.5 V	15			23		19		
		6 V	13			20		16		
t <sub>h</sub>	Hold time, data or address after $\overline{\text{G}}\uparrow$	2 V	5			5		5	ns	
		4.5 V	5			5		5		
		6 V	5			5		5		

switching characteristics over recommended operating free-air temperature range (unless otherwise noted), C<sub>L</sub> = 50 pF (see Note 1)

PARAMETER	FROM (INPUT)	TO (OUTPUT)	V <sub>CC</sub>	T <sub>A</sub> = 25°C			SN54HC4724		SN74HC4724		UNIT
				MIN	TYP	MAX	MIN	MAX	MIN	MAX	
t <sub>PHL</sub>	CLR	Any Q	2 V		60	150		225		190	ns
			4.5 V		18	30		45		38	
			6 V		14	26		38		32	
t <sub>pd</sub>	Data	Any Q	2 V		56	130		195		165	ns
			4.5 V		17	26		39		33	
			6 V		13	22		33		28	
t <sub>pd</sub>	Address	Any Q	2 V		74	200		300		250	ns
			4.5 V		21	40		60		50	
			6 V		17	34		51		43	
t <sub>pd</sub>	$\overline{\text{G}}$	Any Q	2 V		66	170		255		215	ns
			4.5 V		20	34		51		43	
			6 V		16	29		43		37	
t <sub>t</sub>		Any	2 V		28	75		110		95	ns
			4.5 V		8	15		22		19	
			6 V		6	13		19		16	

C <sub>pd</sub>	Power dissipation capacitance per latch	No load, T <sub>A</sub> = 25°C	33 pF typ
-----------------	---	--------------------------------	-----------

Note 1: Load circuits and voltage waveforms are shown in Section 1.



POST OFFICE BOX 655012 • DALLAS, TEXAS 75265

## IMPORTANT NOTICE

Texas Instruments and its subsidiaries (TI) reserve the right to make changes to their products or to discontinue any product or service without notice, and advise customers to obtain the latest version of relevant information to verify, before placing orders, that information being relied on is current and complete. All products are sold subject to the terms and conditions of sale supplied at the time of order acknowledgement, including those pertaining to warranty, patent infringement, and limitation of liability.

TI warrants performance of its semiconductor products to the specifications applicable at the time of sale in accordance with TI's standard warranty. Testing and other quality control techniques are utilized to the extent TI deems necessary to support this warranty. Specific testing of all parameters of each device is not necessarily performed, except those mandated by government requirements.

CERTAIN APPLICATIONS USING SEMICONDUCTOR PRODUCTS MAY INVOLVE POTENTIAL RISKS OF DEATH, PERSONAL INJURY, OR SEVERE PROPERTY OR ENVIRONMENTAL DAMAGE ("CRITICAL APPLICATIONS"). TI SEMICONDUCTOR PRODUCTS ARE NOT DESIGNED, AUTHORIZED, OR WARRANTED TO BE SUITABLE FOR USE IN LIFE-SUPPORT DEVICES OR SYSTEMS OR OTHER CRITICAL APPLICATIONS. INCLUSION OF TI PRODUCTS IN SUCH APPLICATIONS IS UNDERSTOOD TO BE FULLY AT THE CUSTOMER'S RISK.

In order to minimize risks associated with the customer's applications, adequate design and operating safeguards must be provided by the customer to minimize inherent or procedural hazards.

TI assumes no liability for applications assistance or customer product design. TI does not warrant or represent that any license, either express or implied, is granted under any patent right, copyright, mask work right, or other intellectual property right of TI covering or relating to any combination, machine, or process in which such semiconductor products or services might be or are used. TI's publication of information regarding any third party's products or services does not constitute TI's approval, warranty or endorsement thereof.