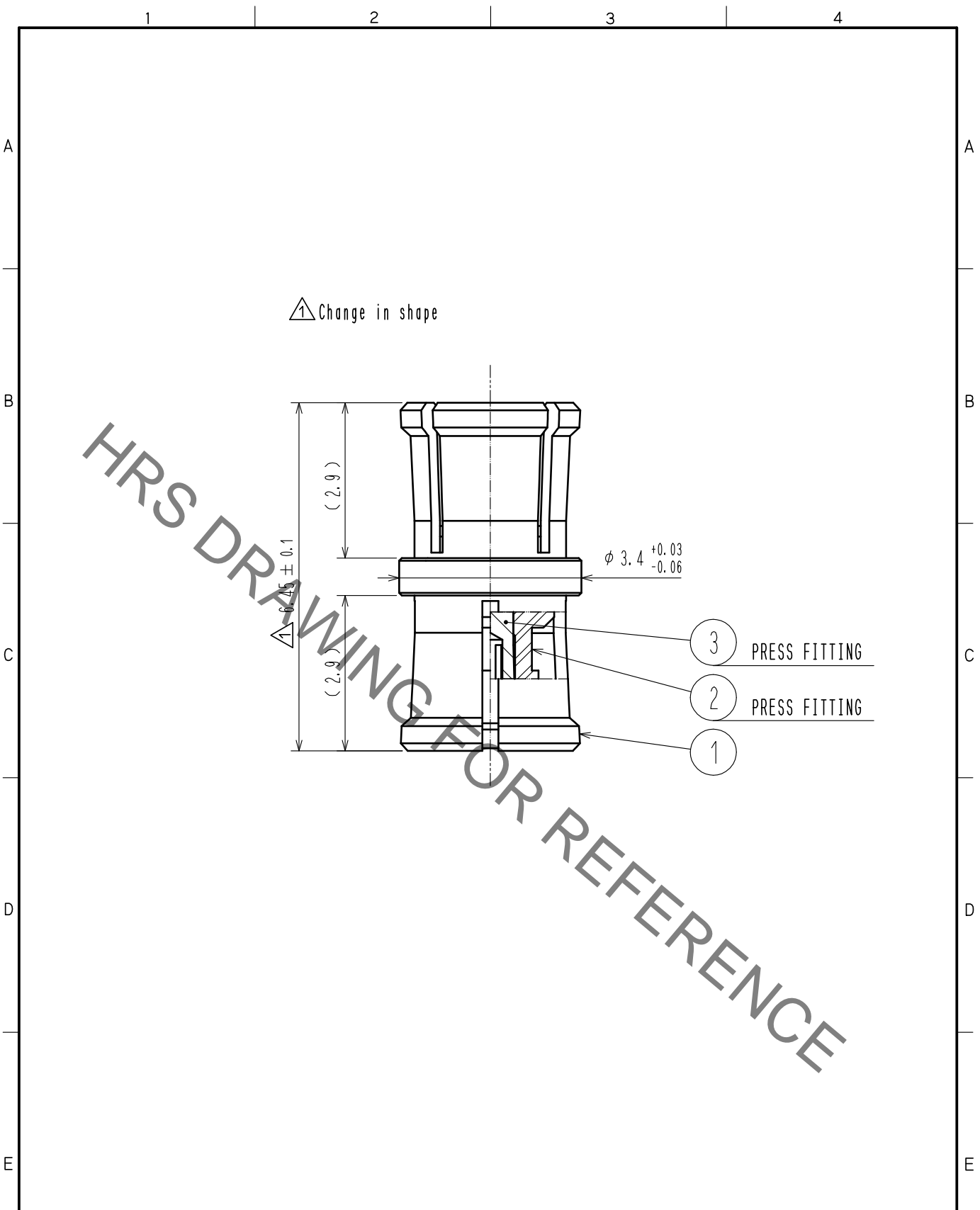


Jul.1.2022 Copyright 2022 HIROSE ELECTRIC CO., LTD. All Rights Reserved.  
 In case of consideration for using Automotive equipment / device which demand high reliability, kindly contact our sales window correspondents.



△ Note being deleted

2	PTFE		3	BERYLLIUM COPPER	GOLD PLATING			
1	BERYLLIUM COPPER	GOLD PLATING						
NO.	MATERIAL	FINISH . REMARKS	NO.	MATERIAL	FINISH . REMARKS			
UNITS mm			SCALE 10 : 1	COUNT 4	DESCRIPTION OF REVISIONS DIS-D-00003744	DESIGNED TK. SAWAGUCHI	CHECKED KY. SHIMIZU	DATE 20181212
<b>HIROSE ELECTRIC CO., LTD.</b>		APPROVED : KY. SHIMIZU	20161201	DRAWING NO. EDC-373492-00-00				
		CHECKED : KY. SHIMIZU	20161201	PART NO. SMP-A-JJ-645				
		DESIGNED : TK. SAWAGUCHI	20161201	CODE NO. CL338-1106-0-00				
		DRAWN : TK. SAWAGUCHI	20161201	△ 1/1				