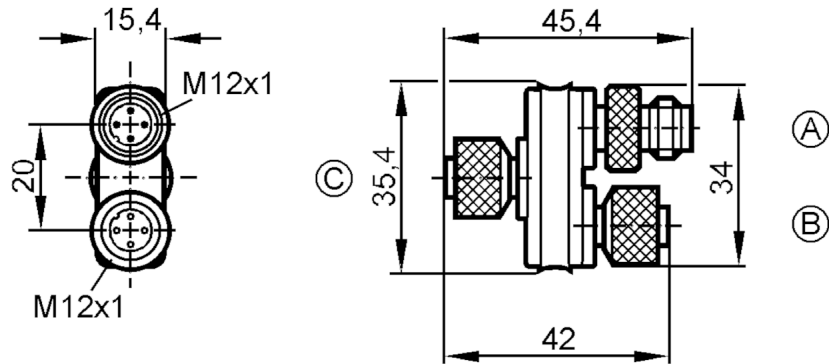


# E11569



## Y-splitter

Safety splitter box



Application	
Design	T-piece for the pseudo-serial connection of fail-safe sensors
Electrical data	
Operating voltage [V]	< 30 AC / < 36 DC
Max. current load per module/slot [A]	4
Max. current load total [A]	4
Operating conditions	
Ambient temperature [°C]	-25...90
Protection	IP 68
Mechanical data	
Weight [g]	31.4
Materials	PUR
Moulded-body material	PUR
Material nut	brass, nickel-plated
Remarks	
Pack quantity	1 pcs.

# E11569

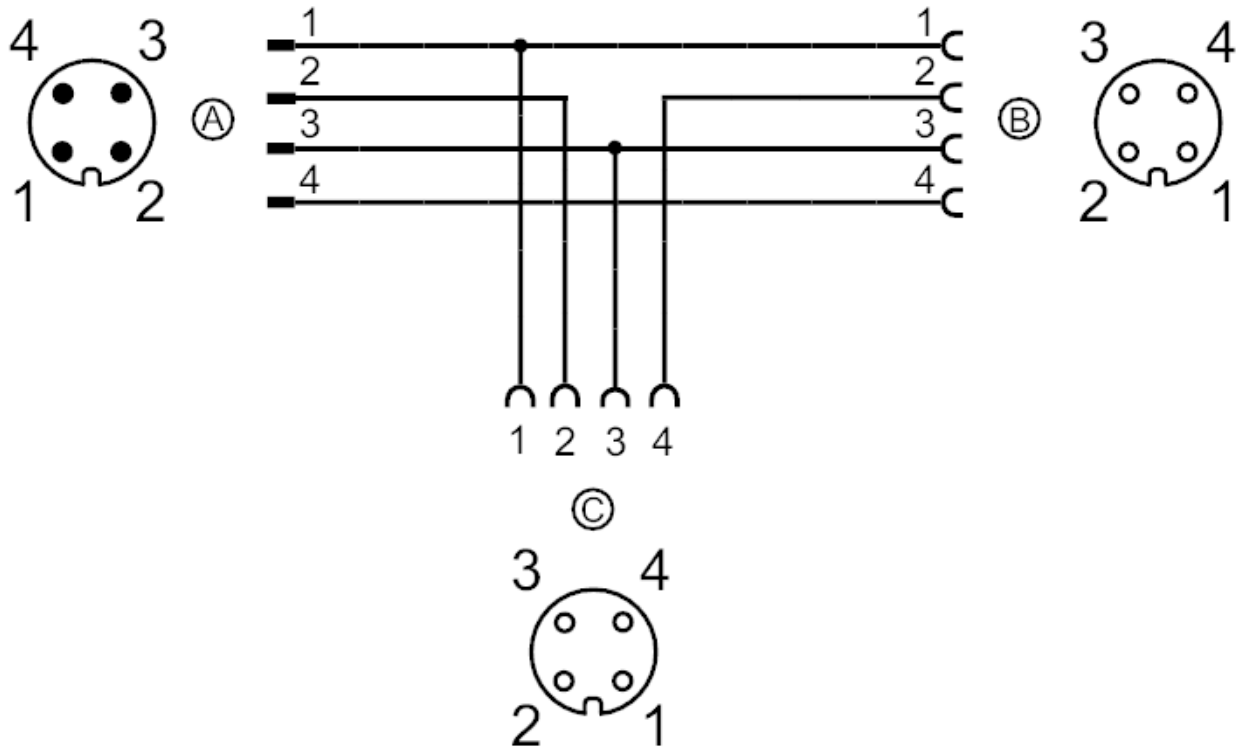


## Y-splitter

Safety splitter box

### Electrical connection

#### Connection



#### Electrical connection - plug

Connector: 1 x M12; Moulded body: PUR; Locking: brass, nickel-plated

#### Electrical connection - socket

Connector: 1 x M12; Moulded body: PUR; Locking: brass, nickel-plated

Connector: 1 x M12; Moulded body: PUR; Locking: brass, nickel-plated