



Solid State Devices, Inc.

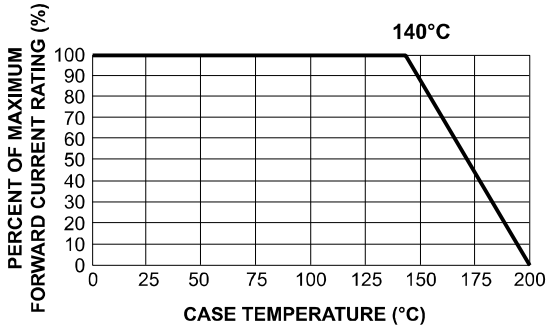
14701 Firestone Blvd * La Mirada, CA 90638
 Phone: (562) 404-4474 * Fax: (562) 404-1773
 ssdi@ssdi-power.com * www.ssdi-power.com

1N6657 thru 1N6659

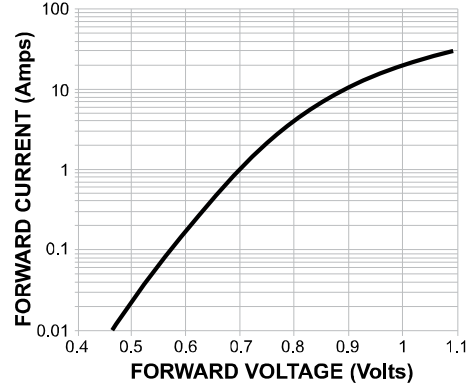
Electrical Characteristic (Per Leg)		Symbol	Max	Units
Instantaneous Forward Voltage Drop ($T_A = 25^\circ\text{C}$, 300 μsec pulse)	$I_F = 10\text{ A}$	V_{F1}	1.0	V
	$I_F = 20\text{ A}$	V_{F2}	1.2	V
Instantaneous Forward Voltage Drop ($I_F = 10\text{ A}$, 300 μsec pulse)	$T_A = 100^\circ\text{C}$	V_{F3}	0.83	V
	$T_A = -65^\circ\text{C}$	V_{F4}	1.15	V
Reverse Leakage Current (Rated V_R , 300 μs pulse min.)	$T_A = 25^\circ\text{C}$	I_{R1}	10	μA
	$T_A = 100^\circ\text{C}$	I_{R2}	1	mA
Reverse Recovery Time ($I_F = 1\text{ A}$, $I_R = 1\text{ A}$, $I_{RR} = 100\text{ mA}$, $T_A = 25^\circ\text{C}$)		t_{RR}	35	nsec
Junction Capacitance ($T_A = 25^\circ\text{C}$, $f = 1\text{ MHz}$)	$V_R = 10\text{ V}_{DC}$	C_J	150	pF

TYPICAL OPERATING CURVES

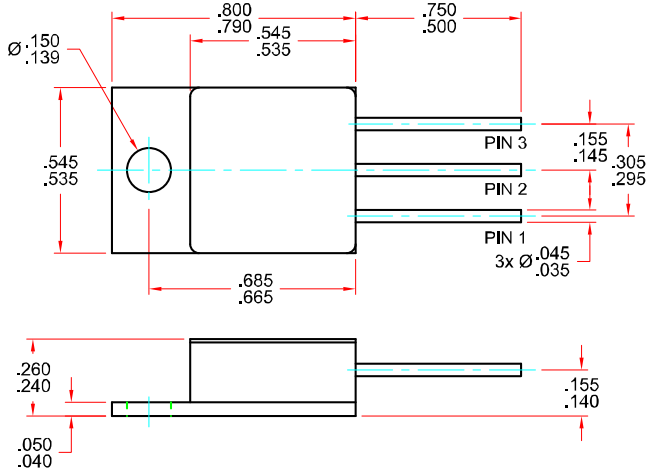
$T_A = 25^\circ\text{C}$ unless otherwise specified



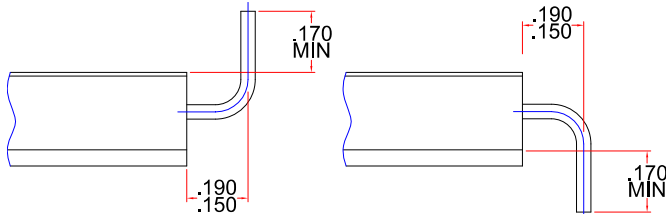
FORWARD VOLTAGE vs. FORWARD CURRENT



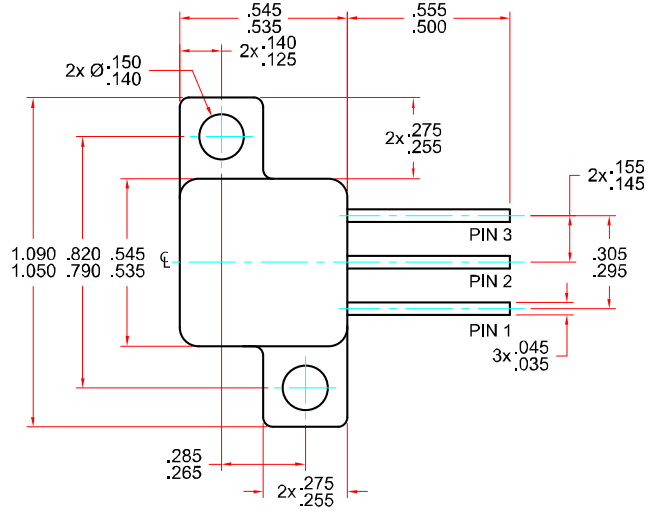
CASE OUTLINE: TO-254



PIN 1: ANODE 1 PIN 2: CATHODE PIN 3: ANODE 2



CASE OUTLINE: TO-254Z



PIN 1: ANODE 1 PIN 2: CATHODE PIN 3: ANODE 2

NOTE: All specifications are subject to change without notification. SCD's for these devices should be reviewed by SSDI prior to release.

DATA SHEET #: RH0059B

DOC