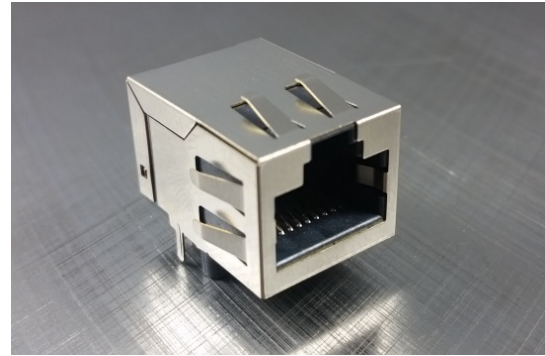




- 10/100 BaseT
- Impedance: 100OHMS
- Transmit open circuit inductance (OCL): 350uH (MIN) @100KHz, 0.1VRMS with 8mA DC Bias
- RJ45 jack cavity conforms to FCC rules and regulations Part 68, SUB Part F
- Standard operating temp: -40°C to +85°C



Electrical Specifications @ 25°C

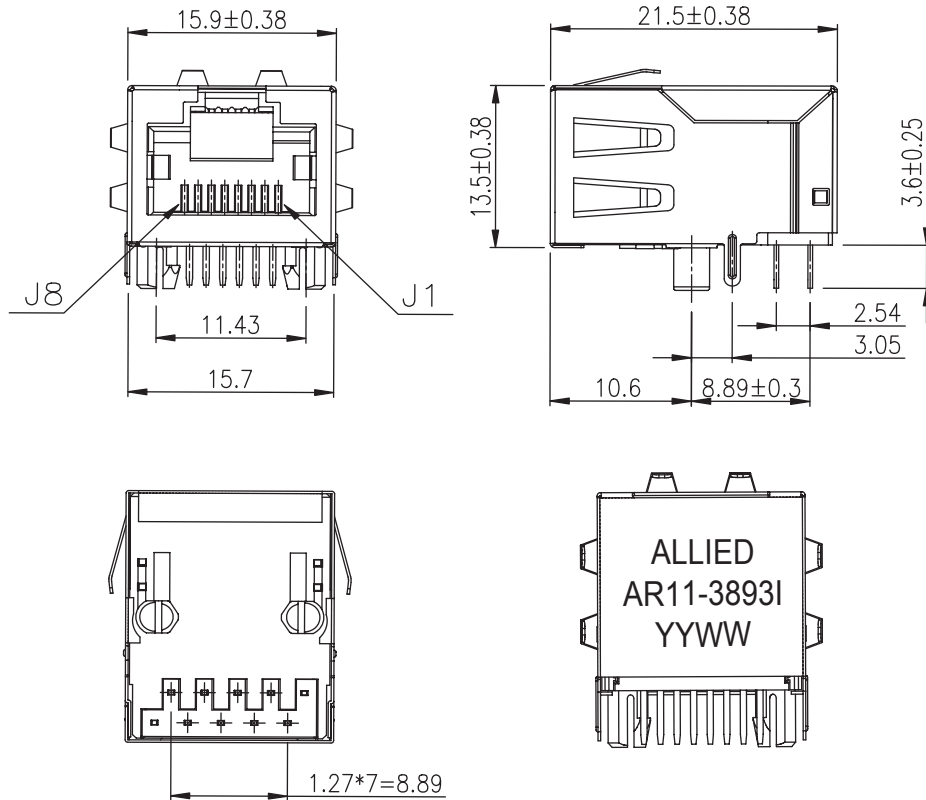
Part Number	OCL(uH Min) @ 100kHz, 0.1V With 8mA DC Bias	Turns Ratio chip: cable (± 2%)	Cross Talk (dB Min)	Insertion Loss (dB Max)	HI-POT 1.0mA, 60s (Vrms)
	1-100MHz				
AR11-3893I	350	1CT:1CT	-30	-1.0	1500

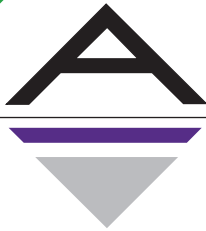
Electrical Specifications @ 25°C

Part Number	Return Loss (dB Min)				CMR (dB Min)
	1-30MHz	30-60MHz	60-80MHz	80-100MHz	
AR11-3893I	-18	-16	-12	-10	-30

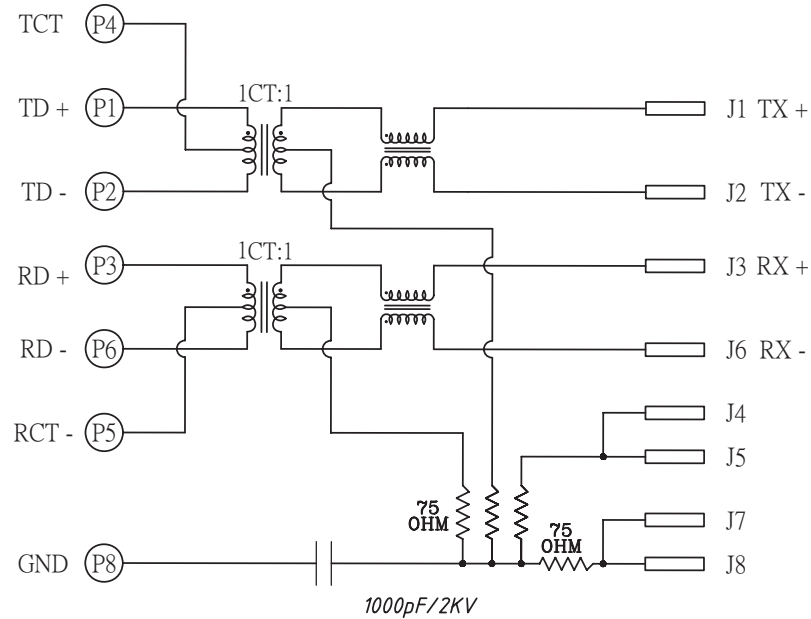
All specifications subject to change without notice.

MECHANICAL

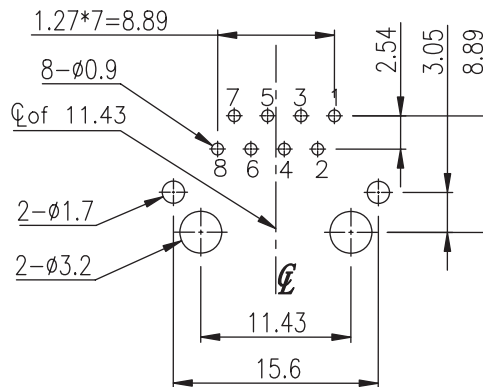




**SCHEMATICS**



**PCB LAYOUT**



RECOMMENDED PCB LAYOUT  
TOLERANCE  $\pm 0.05\text{mm}$  (T=1.6mm)

**NOTES**

1. Shielded - 0.20mm Thickness Brass C2680 H. Plating Nickel 20u"MIN.
2. Housing- Plastic:LCP,Glass Fiber Filled UL94V-0 , Color Black
3. Contact Pin- Plastic:LCP,Glass Fiber Filled UL94V-0 , Color Black  
Pin:0.35mm Thickness Phosphor Bronze C5210 EH. Plating:Nickel 30u"~60u" For All And Sn 100%, And Gold Plating 6u".
4. Insert Pin- Plastic:LCP,Glass Fiber Filled UL94V-0 , Color Black  
Pin:0.35mm Thickness SUS430. Plating:120u" min Sn All Over 30u"~60u" Nickel