

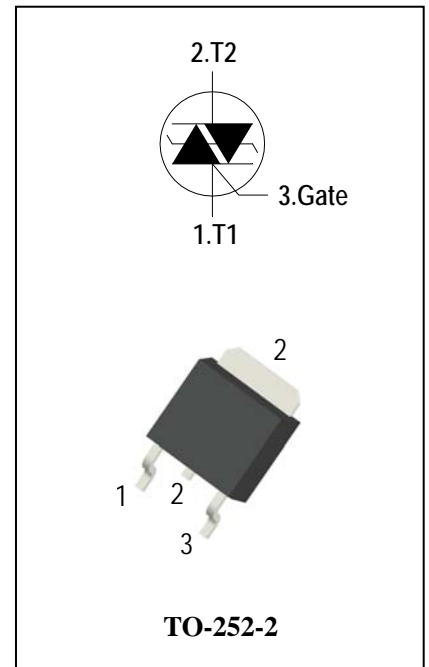
AC Thyristor Triac power switch

General Description

Available either in through-hole or surface-mount packages, the AACT4 suitable for general purpose AC switching. They can be used as an ON/OFF function in applications such as static relays, heating regulation, induction motor starting circuits... or for phase control operation in light dimmers, motor speed controllers,...

Features

- ◆ Repetitive Peak Off-State Voltage: 800V and 1000V
- ◆ R.M.S On-State Current ($I_{T(RMS)} = 4A$)
- ◆ Very high immunity to false turn-on by dV/dt
- ◆ Triggering in three quadrants only
- ◆ Pin compatible with standard triacs
- ◆ Safe clamping capability for low energy over-voltage transients
- ◆ These Devices are Pb-Free and are RoHS Compliant



Absolute Maximum Ratings

Symbol	Items	Conditions		Ratings	Unit
V_{DRM} V_{RRM}	Repetitive Peak Off-State Voltage	$T_j = 25^\circ C$	AACT408E	800	V
			AACT410E	1000	V
$I_{T(RMS)}$	R.M.S On-State Current	$T_C = 110^\circ C$		4	A
I_{TSM}	Surge On-State Current	$t_p = 20ms(50Hz) / t_p = 16.7ms(60Hz)$		30/33	A
I^2t	I^2t for fusing	$t_p = 10ms$		4.5	A^2s
dI/dt	Critical rate of rise of on-state current	F = 120 Hz $T_j = 125^\circ C$ $I_G = 2 \times I_{GT}$, $t_r \leq 100 ns$		100	$A/\mu s$
I_{GM}	Peak Gate Current	$t_p = 20 \mu s$ $T_j = 125^\circ C$		1	A
$P_{G(AV)}$	Average Gate Power Dissipation($T_j = 125^\circ C$)			0.1	W
P_{GM}	Peak Gate Power Dissipation($t_p = 20\mu s, T_j = 125^\circ C$)			5	W
T_j	Operating Junction Temperature			- 40 ~ 125	$^\circ C$
T_{STG}	Storage Temperature			- 40 ~ 150	$^\circ C$



Electrical Characteristics ($T_j = 25^\circ\text{C}$ unless otherwise specified)

Symbol	Items		Conditions		AACT408E/10E		Unit
					S	Blank	
I_{DRM} I_{RRM}	Peak Forward Reverse Blocking Current		$V_{DRM} = V_{RRM}, T_j = 25^\circ\text{C}$	Max.	10		μA
			$V_{DRM} = V_{RRM}, T_j = 125^\circ\text{C}$		1		mA
V_{TM}	Peak On-State Voltage		$I_{TM} = 5.6\text{A}, t_p = 380 \mu\text{s}$	Max.	1.55		V
V_{GD}	Q1-Q2-Q3	Non-Trigger Gate Voltage	$V_D = 2/3V_{DRM}, R_L = 3.3 \text{ k}\Omega$ $T_j = 125^\circ\text{C}$	Min.	0.2		V
V_{GT}	Q1-Q2-Q3	Gate Trigger Voltage	$V_D = 12\text{V}, R_L = 33\Omega$	Max.	1.3		V
I_{GT}	Q1-Q2-Q3	Gate Trigger Current		Max.	10	35	mA
I_H	Q1-Q2-Q3	Holding Current	$I_T = 0.1\text{A}$	Max.	25	40	mA
I_L	Q1-Q3	Latching Current	$I_G = 1.2 I_{GT}$	Max.	15	40	mA
	Q2				20	60	
dV/dt	Critical Rate of Rise of Off-State Voltage		$V_D = 2/3V_{DRM}$ gate open $T_j = 125^\circ\text{C}$	Min.	500	1000	$\text{V}/\mu\text{s}$
$R_{th(j-c)}$	Junction to case (AC)			Max.	2.6		$^\circ\text{C}/\text{W}$
$R_{th(j-a)}$	Junction to ambient(Copper surface under tab: $S=0.5\text{cm}^2$)			Max.	70		$^\circ\text{C}/\text{W}$

FIG.1:Quadrant are defined and the gate trigger test circuit

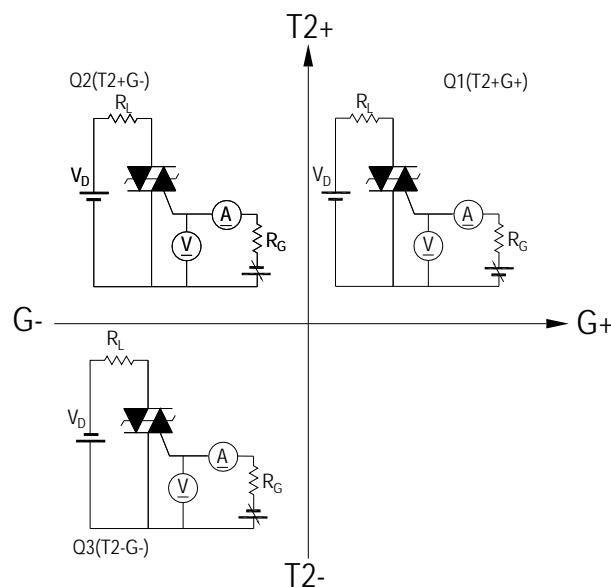


FIG.2: Maximum on-state power dissipation

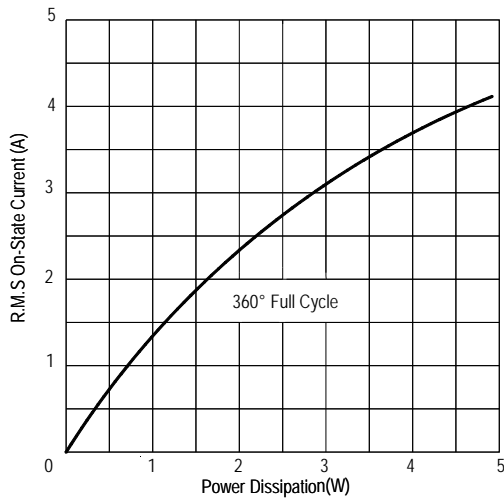


FIG.3: Typical RMS on-state current VS Allowable case Temperature

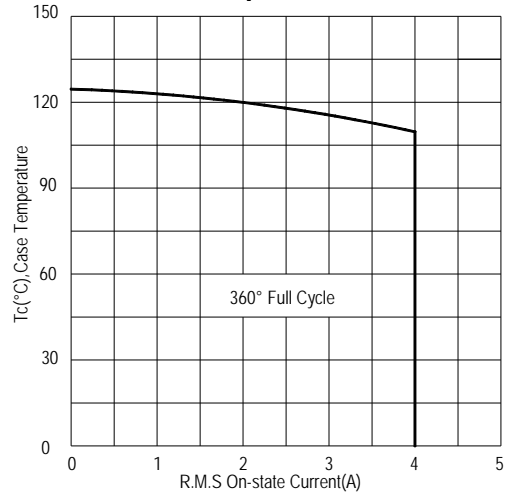


FIG.4: Maximum transient thermal impedance

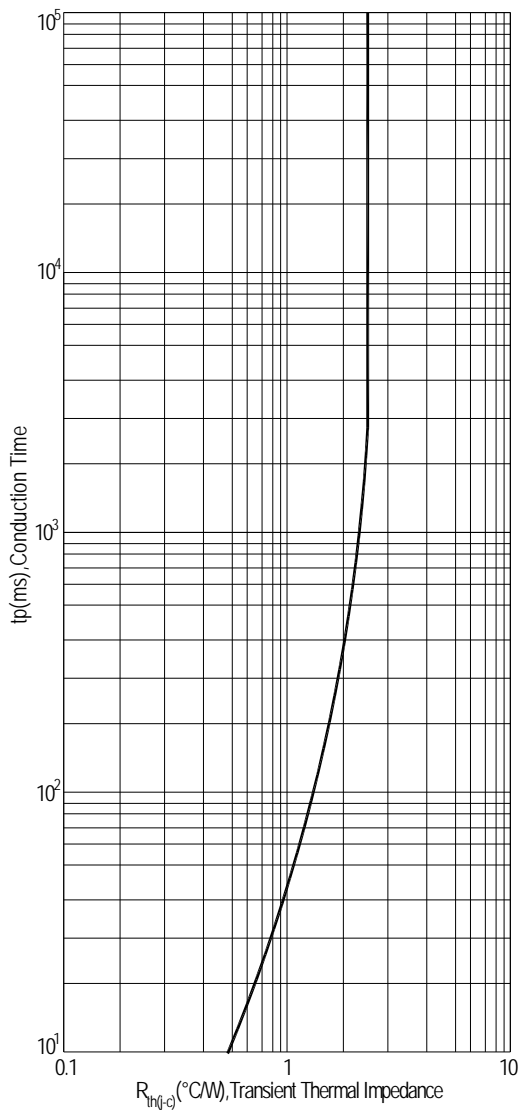


FIG.5: Rated surge on-state current (Non-Repetitive)

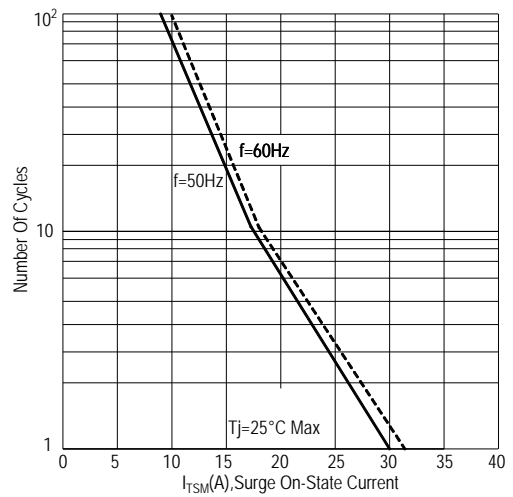


FIG.6: Gate trigger current VS Junction temperature

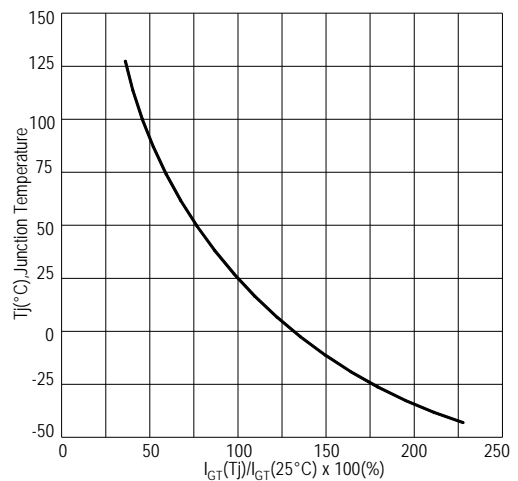


FIG.7: Holding current and Latching current VS Junction temperature

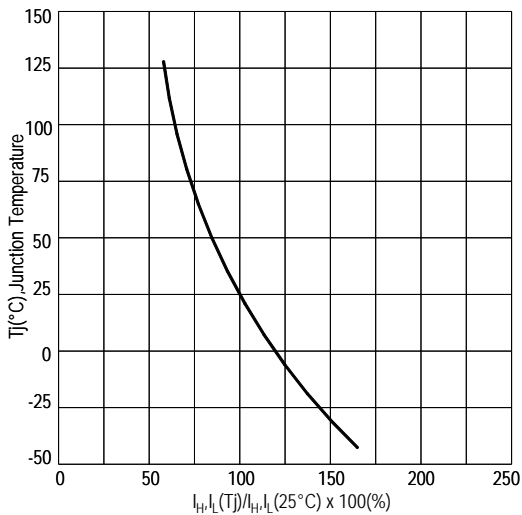


FIG.8: Gate trigger voltage VS Junction temperature

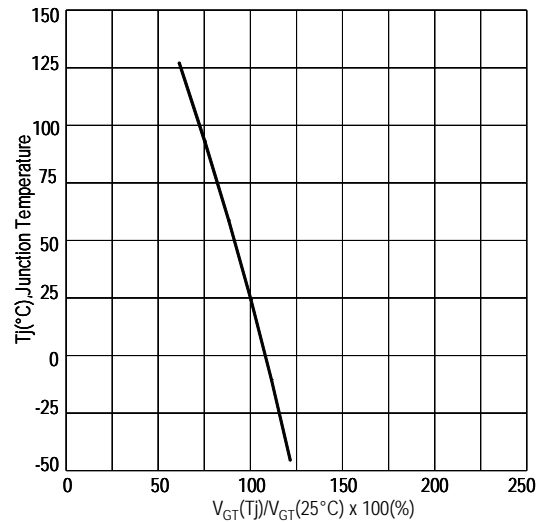
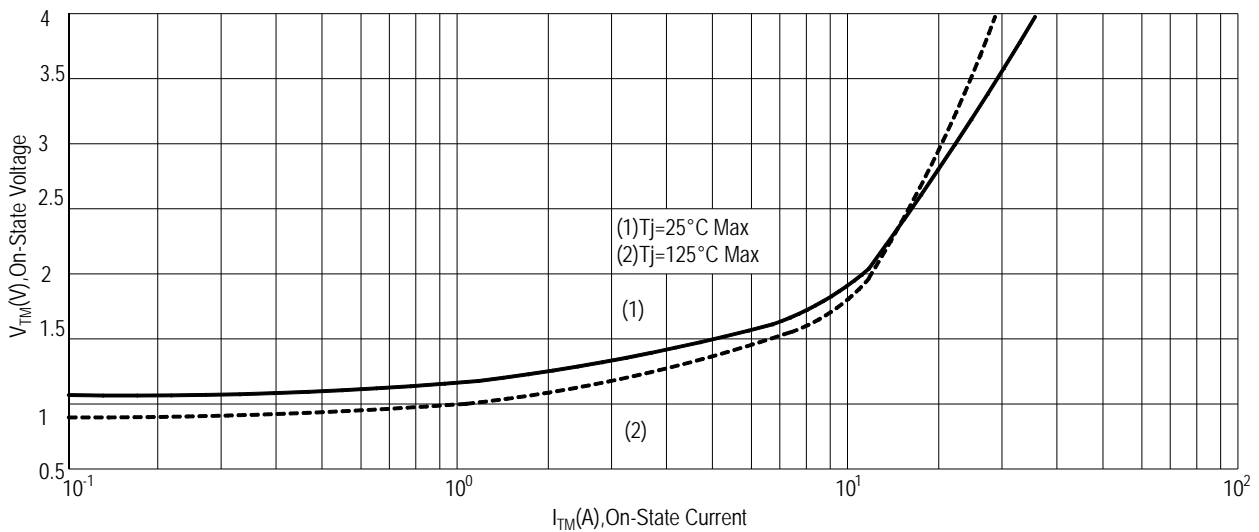
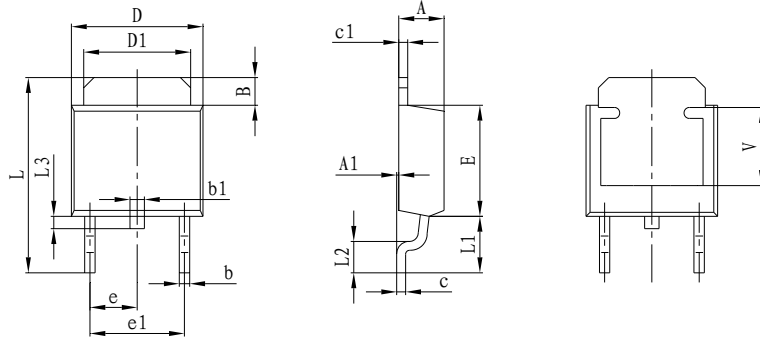


FIG.9: On-state characteristics(Max)



PACKAGE MECHANICAL DATA

TO-252-2 Package Dimension



Symbol	Dimensions In Millimeters		Dimensions In Inches	
	Min.	Max.	Min.	Max.
A	2.200	2.400	0.087	0.094
A1	0.000	0.127	0.000	0.005
B	1.350	1.650	0.053	0.065
b	0.500	0.700	0.020	0.028
b1	0.700	0.900	0.028	0.035
c	0.450	0.620	0.017	0.024
c1	0.450	0.620	0.017	0.024
D	6.350	6.650	0.250	0.262
D1	5.100	5.400	0.200	0.213
E	5.900	6.200	0.232	0.244
e	2.300 TYP.		0.091 TYP.	
e1	4.500	4.700	0.177	0.185
L	9.500	10.60	0.374	0.396
L1	2.550	2.900	0.100	0.114
L2	1.400	1.780	0.055	0.070
L3	0.600	0.900	0.024	0.035
V	4.100 REF.		0.161 REF.	

Making Diagram

ADV: Logo
 AACT408ES: Part number
 X: Internal control code
 H: Halogen Free

A ADVANCED
AC AC Switches
T Triac
4 Current: 4 = 4A
08 Voltage: 08 = 800V 10=1000V
E Package explain: E=TO-252
S Sensitivity and type
 S = 10mA
 Blank = 35mA

Ordering information

Part number	Package	Marking	Packing	Quantity
AACT408E#	TO-252-2	AACT408E#	Tube	80pcs
			Embossed tape	2500pcs
AACT410E#	TO-252-2	AACT410E#	Tube	80pcs
			Embossed tape	2500pcs

Note: # = Gate Trigger Current Sensitivity and type

Notice

1. All information included in this document such as product data, diagrams, charts, programs, algorithms, and application circuit examples, is current as of the date this document is issued. Such information, however, is subject to change without any prior notice. Before purchasing or using any ADV products listed in this document, please confirm the latest product information with a ADV sales office. Also, please pay regular and careful attention to additional and different information to be disclosed by ADV such as that disclosed through our website. (<http://www.advsemi.com>)
2. ADV has used reasonable care in compiling the information included in this document, but ADV assumes no liability whatsoever for any damages incurred as a result of errors or omissions in the information included in this document.
3. You should use the products described herein within the range specified by ADV, especially with respect to the maximum rating, operating supply voltage range, movement power voltage range, heat radiation characteristics, installation and other product characteristics. ADV shall have no liability for malfunctions or damages arising out of the use of ADV products beyond such specified ranges.
4. When using or otherwise relying on the information in this document, you should evaluate the information in light of the total system before deciding about the applicability of such information to the intended application. ADV makes no representations, warranties or guaranties regarding the suitability of its products for any particular application and specifically disclaims any liability arising out of the application and use of the information in this document or ADV products.
5. Although ADV endeavors to improve the quality and reliability of its products, IC products have specific characteristics such as the occurrence of failure at a certain rate and malfunctions under certain use conditions. Please be sure to implement safety measures to guard against the possibility of physical injury, and injury or damage caused by fire in the event of the failure of a ADV product, such as safety design for hardware and software including but not limited to redundancy, fire control and malfunction prevention, appropriate treatment for aging degradation or any other applicable measures. Among others, since the evaluation of microcomputer software alone is very difficult, please evaluate the safety of the final products or system manufactured by you.
6. This document is provided for reference purposes only so that ADV customers may select the appropriate ADV products for their use. ADV neither makes warranties or representations with respect to the accuracy or completeness of the information contained in this document nor grants any license to any intellectual property rights or any other rights of ADV or any third party with respect to the information in this document.
7. ADV shall have no liability for damages or infringement of any intellectual property or other rights arising out of the use of any information in this document, including, but not limited to, product data, diagrams, charts, programs, algorithms, and application circuit examples.
8. This document may not be reproduced or duplicated, in any form, in whole or in part, without prior written approval from ADV.