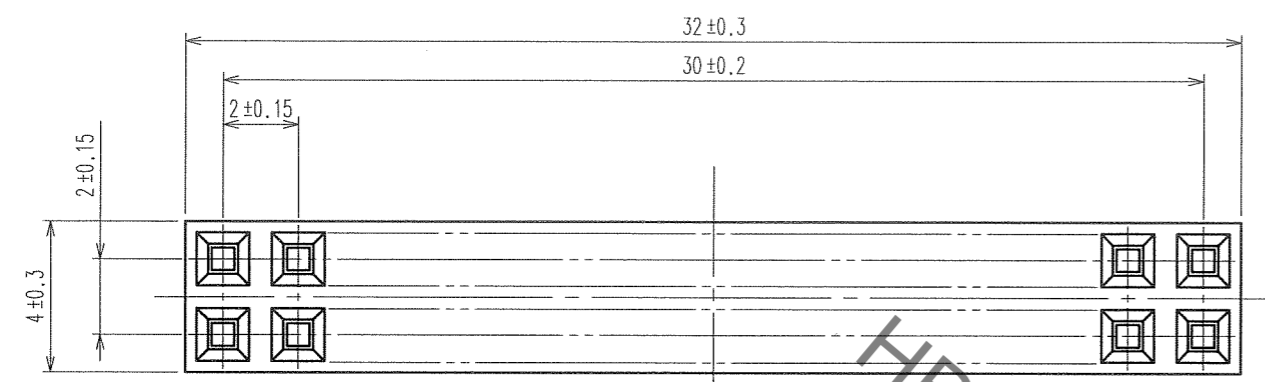
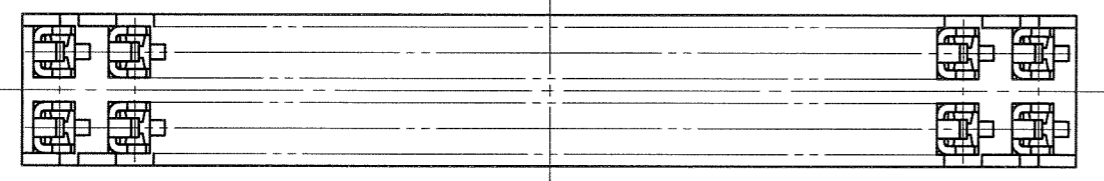
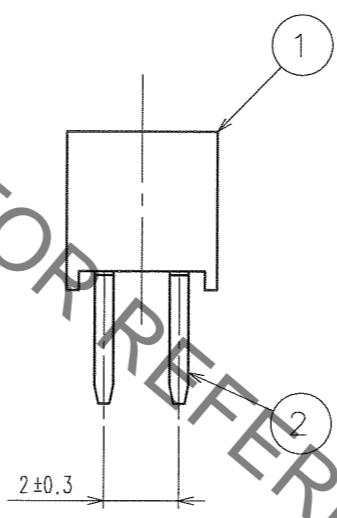
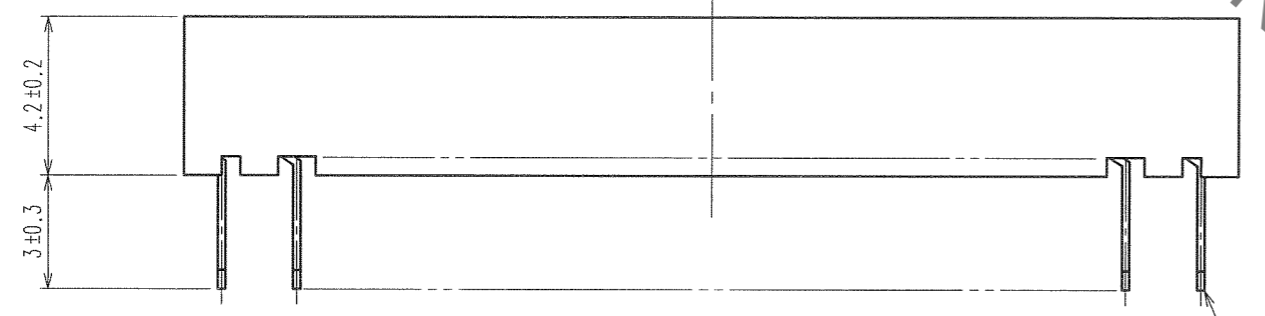
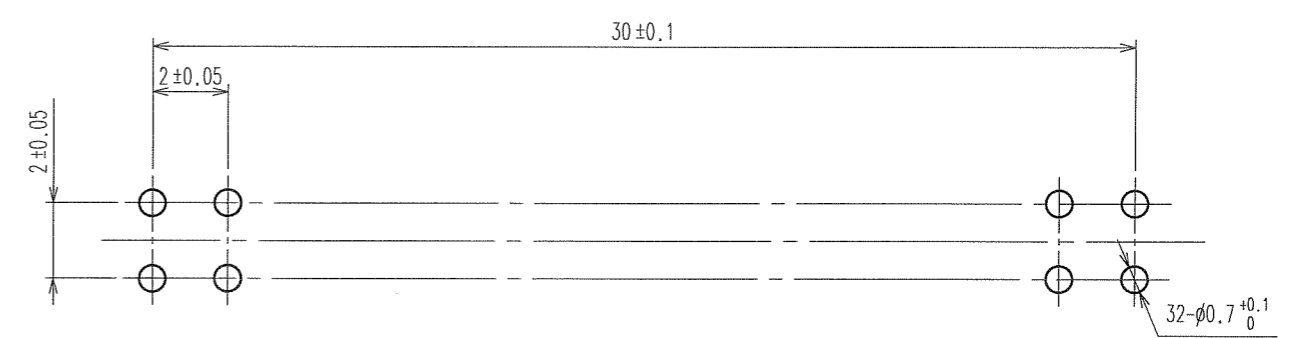


Jul.1.2022 Copyright 2022 HIROSE ELECTRIC CO., LTD. All Rights Reserved.
In case of consideration for using Automotive equipment / device which demand high reliability, kindly contact our sales window correspondents.

COUNT	DESCRIPTION OF REVISIONS	BY	CHKD	DATE	COUNT	DESCRIPTION OF REVISIONS	BY	CHKD	DATE
△				..	△				..
△				..	△				..
△				..	△				..



RECOMMENDED PC BOARD HOLE PATTERN



NOTE 1. THE CONTACT CUT SECTION IS UNPLATED.
2. THE DIMENSIONS IN PARENTHESES ARE FOR REFERENCE.

1	PBT	BLACK UL94V-0	2	PHOSPHOR BRONZE	CONTACT AREA:GOLD 0.2μ m min. DIP AREA:TIN-PLATING 1μ m min. UNDER PLATING:NICKEL 1μ m min.
NO.	MATERIAL	FINISH, REMARKS	NO.	MATERIAL	FINISH, REMARKS
CODE NO. (OLD) CL		DRAWN K.NAKAMURA 06.05.20	DESIGNED K.NAKAMURA 06.05.20	CHECKED <i>X. Ogiwara</i> 06.05.20	APPROVED <i>H. Okawa</i> 06.05.20
SCALE FREE		DRAWING NO. EDC3-081238-21		PART NO. A3C-32DA-2DSA(71)	
UNITS mm		HRS HIROSE ELECTRIC CO., LTD		CODE NO. CL621-0515-0-71	
					1/1

TO