

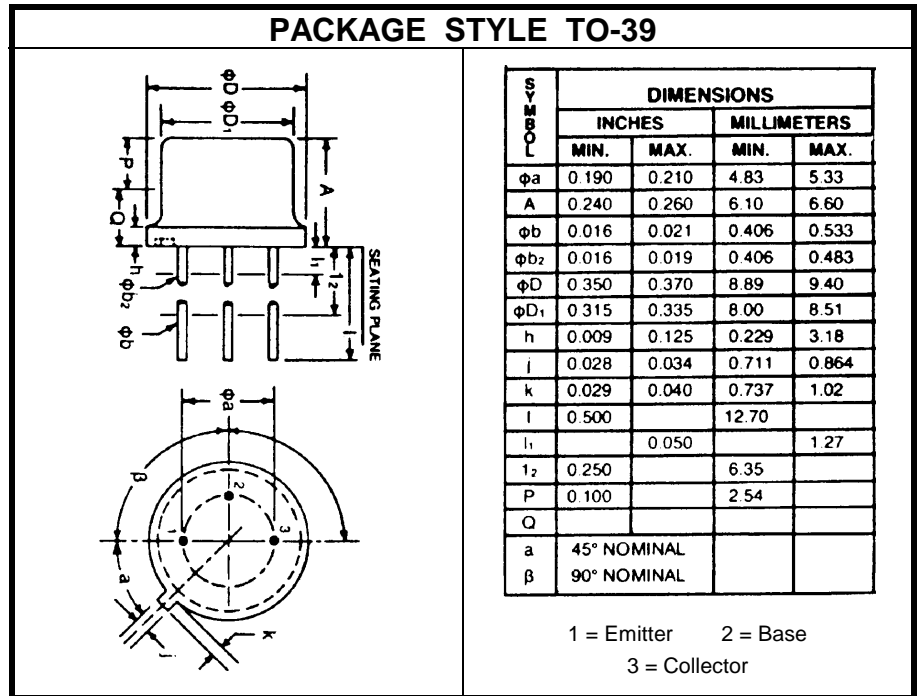
NPN SILICON HIGH FREQUENCY TRANSISTOR

DESCRIPTION:

The **ASI MRF5943C** is a High Frequency Transistor for General Purpose Amplifier Applications.

MAXIMUM RATINGS

I_C	400 mA
V_{CEO}	30 V
V_{CBO}	40 V
V_{EBO}	3.5 V
P_{DISS}	1.0 W @ $T_A = 25^\circ\text{C}$
	3.5 W @ $T_C = 25^\circ\text{C}$
T_J	-65 °C to +200 °C
T_{STG}	-65 °C to +150 °C
θ_{JC}	125 °C/W


CHARACTERISTICS $T_A = 25^\circ\text{C}$

SYMBOL	TEST CONDITIONS		MINIMUM	TYPICAL	MAXIMUM	UNITS
BV_{CEO}	$I_C = 5.0\text{ mA}$		30			V
BV_{CBO}	$I_C = 1.0\text{ mA}$		40			V
BV_{EBO}	$I_E = 100\ \mu\text{A}$		3.5			V
I_{CBO}	$V_{CB} = 15\text{ V}$				50	μA
I_{CEO}	$V_{CE} = 20\text{ V}$				10	μA
h_{FE}	$V_{CE} = 15\text{ V}$	$I_C = 50\text{ mA}$	25		300	---
N_F	$V_{CE} = 15\text{ V}$	$I_C = 35\text{ mA}$ $f = 200\text{ MHz}$		5.5		dB
$G_{U\text{ max}}$	$V_{CE} = 15\text{ V}$	$I_C = 35\text{ mA}$ $f = 200\text{ MHz}$		11.4		dB